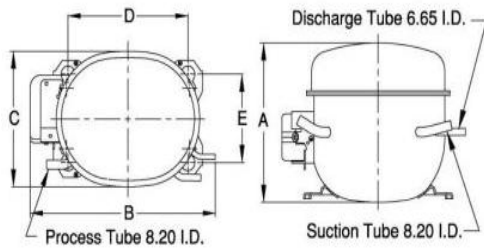


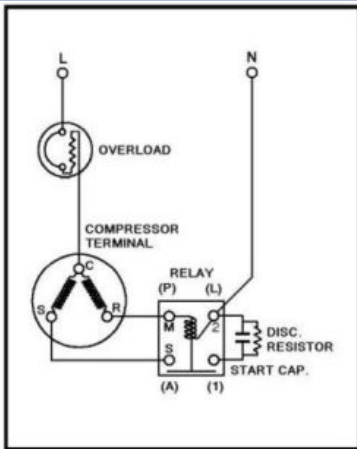


**PRINCIPAL DIMENSIONS - mm**



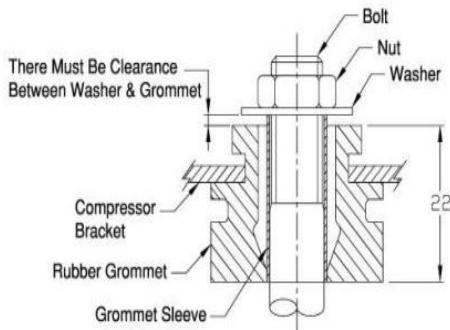
A: 188	B: 265	C: 155	D: 165	E: 101
--------	--------	--------	--------	--------

**SCHEMATIC WIRING DIAGRAM C.S.I.R.**



**SCHEMATIC WIRING DIAGRAM -**

**MOUNTING KIT**



Electrical : 220-240 V/50 Hz. 1 Phase

**Nominal Performance**

Capacity	630 / 1,070 Watts
	2,150 / 3,651 BTU/Hr
	542 / 920 Kcal/Hr
Power Input	450 / 580 Watts
Locked Rotor Amps	19.00 / 19.00 Amps
Max Continuous Current	- / - Amps
Rated Load Amps	2.80 / 3.30 Amps
COP	1.40 / 1.84 Watts / Watts
EER	4.78 / 6.29 BTU/W-Hr

**Testing Conditions**

Condensing Temperature	54.40 °C	129.9 °F
Evaporating Temperature	-6.70 / 7.20 °C	19.9 / 45.0 °F
Liquid Temperature	46.10 °C	115.0 °F
Return Gas Temperature	35.00 °C	95.0 °F
Ambient Temperature	35.00 °C	95.0 °F

**Application**

Evaporating Temp. Range	MBP/HBP	@ -23.30 °C to 12.70 °C (-9.9° F to 54.9° F)
	Heat Pump	- °C to - °C (-° F to -° F)
Refrigerant	R404A	
Refrigerant Flow Control	Capillary Tube	
Compressor Cooling	Fan	

**Compressor and Motor data**

Compressor Type	Reciprocating
Displacement	7.57 cc.
Oil Type	Polyolester Oil
Oil Charge	357 cc.
Motor Type	C.S.I.R. ; 2 Pole 2,850 / 2,850 r/m
Voltage Range	198-264/- Volts 50/- Hz.
Winding Resistance at 25 °C	
Start	11.34 Ohms
Run	5.68 Ohms
Weight with Oil	11.08 Kg.
Weight with Oil and Accessories	11.53 Kg.

**Electrical Components**

**Motor Protector**

Type	External 3/4"
Model Number	KME666-2/C
Open / Close	130-140 / 61-43 °C
1st Cycle trip at 25 °C	13.00 Amps(main) - Amps(start)

**Motor Starter**

Type	Current Relay
Model Number	KME684-8
Pick Up (max.)	9.60 Amps
Drop Out (min.)	8.40 Amps
Terminal Cover	KMD 901-12
Start Capacitor	36-43 µF 330 VAC.
Disch Resistor for Start Cap	15000 Ohms 2 w
Run Capacitor	No µF No VAC.

**Mounting Kit**

Rubber Grommet	4007KMD905-3
Sleeve Grommet	3KMD903-2-Z
Washer	4023KEB387

Since we are constantly improving our product , the specification are subject to change without notice.

REV. DATE	C / N No.
17-05-16	0180/16

**Certificate Marks**

