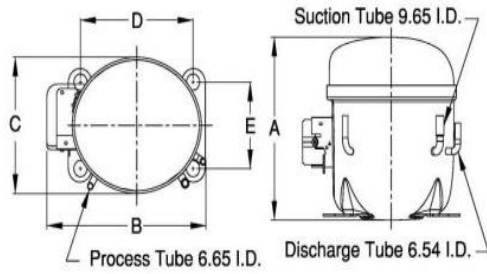


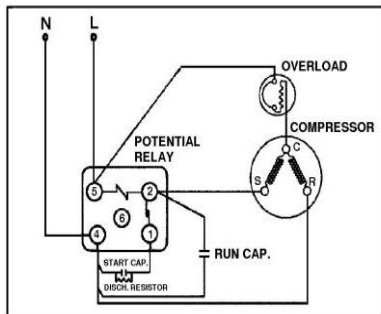


**PRINCIPAL DIMENSIONS - mm**



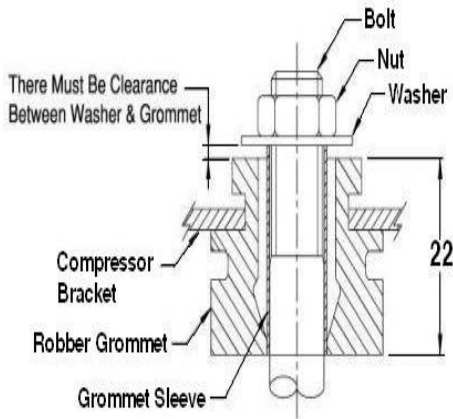
A: 215	B: 299	C: 160	D: 165	E: 102
--------	--------	--------	--------	--------

**SCHEMATIC WIRING DIAGRAM C.S.R.**



**SCHEMATIC WIRING DIAGRAM -**

**MOUNTING KIT**



Electrical : 220-240 V/50 Hz. 1 Phase

**Nominal Performance**

Capacity	1,143 / - Watts
	3,900 / - BTU/Hr
	983 / - Kcal/Hr
Power Input	770 / - Watts
Locked Rotor Amps	22.00 / - Amps
Max Continuous Current	- / - Amps
Rated Load Amps	3.70 / - Amps
COP	1.48 / - Watts / Watts
EER	5.06 / - BTU/W-Hr

**Testing Conditions**

Condensing Temperature	54.40 °C	129.9 °F
Evaporating Temperature	-6.70 / - °C	19.9 / - °F
Liquid Temperature	46.10 °C	115.0 °F
Return Gas Temperature	35.00 °C	95.0 °F
Ambient Temperature	35.00 °C	95.0 °F

**Application**

Evaporating Temp. Range	MBP	@ -23.30 ° C to -1.10 ° C (-9.9° F to 30.0° F)
	Heat Pump	- ° C to - ° C (-° F to -° F)
Refrigerant	R404A	
Refrigerant Flow Control	Capillary Tube	
Compressor Cooling	Fan	

**Compressor and Motor data**

Compressor Type	Reciprocating
Displacement	14.14 cc.
Oil Type	Polyolester Oil
Oil Charge	467 cc.
Motor Type	C.S.R. ; 2 Pole 2,850 / - r/m
Voltage Range	187-264/- Volts 50/- Hz.
Winding Resistance at 25 ° C	
Start	7.24 Ohms
Run	3.26 Ohms
Weight with Oil	12.42 Kg.
Weight with Oil and Accessories	13.07 Kg.

**Electrical Components**

<b>Motor Protector</b>	
Type	External 3/4"
Model Number	KME664-10/CD
Open / Close	115-125 / 78-60 ° C
1st Cycle trip at 25 ° C	15.20 Amps(main) - Amps(start)
<b>Motor Starter</b>	
Type	Potential Relay
Model Number	4043KGE681-9 (RVA4AM6D)
Pick Up (max.)	242.00-272.00 Volts
Drop Out (min.)	60.00-121.00 Volts
Terminal Cover	KMD 901-12
Start Capacitor	88-106 µF 330 VAC.
Disch Resistor for Start Cap	15000 Ohms 2 W
Run Capacitor	20 µF 440 VAC.

**Mounting Kit**

Rubber Grommet	4007KMD905-3
Sleeve Grommet	3KMD903-2-Z
Washer	4023KEB387

Since we are constantly improving our product , the specification are subject to change without notice.

REV. DATE C / N No.  
15-08-17 0340/17

**Certificate Marks**

