



**KULTHORN GROUP**



**KULTHORN KIRBY**  
**PUBLIC COMPANY LIMITED**  
**HERMETIC COMPRESSORS**



**World Class Products for  
Refrigeration & Air Conditioning**

# Company History

Kulthorn Kirby was the first hermetic compressor manufacturer in Thailand, established with Thailand Board of Investment promotion in 1980. The company was officially opened on January 13, 1982, with the initial production output of over 100,000 compressors in the first year of operation. Later, the production capacity was expanded to 5,000,000 units/year, of which more than 70% are exported worldwide. In 1991, the company was listed in the Stock Exchange of Thailand with 500 millions Baht registered capital and in 2013, registered capital was increased to 1,000 millions.

Kulthorn Kirby specializes in the manufacture of hermetic reciprocating compressors for domestic refrigerators, commercial refrigeration systems and air conditioners. We believe in our vision, which is to be the producer of best quality, world standard products that best meet our customers' needs. With our concern for the environment and for meeting relevant safety standards, Kulthorn Kirby compressors are approved to many international performance and safety standards such as CE, UL, TUV, CCC, SASO and TISI.

NAME:	Kulthorn Kirby Public Company Limited
Company Registration No:	0107537002150 ( Bor Mor Jor. 462 )
Established:	24 March 1980
Grand Opening:	13 January 1982
Head Office & Factory:	126 Soi Chalong Krung 31, Chalong Krung Road, Lat Krabang Ind. Est., Khwaeng Lam Pla Thio, Khet Lat Krabang, Bangkok 10520, Thailand
Telephone:	(66) 2326 0831, 2739 4893
Fax:	(66) 2326 0837, 2739 4892
E-mail:	kkc@kulthorn.com, sales@kulthorn.com
Web site:	www.kulthorn.com
Employees:	2,200 persons
Land area:	65-3-2 rai (21 Acres)
Factory space:	85,300 sq.m.
Product:	Hermetic Motor Compressors for Refrigeration and Air-Conditioning Products
Brand name:	KULTHORN
Plant capacity:	4 million units/year of refrigeration compressors and 1 million units/year of air-conditioning compressors
Major Shareholders:	Simakulthorn Group Heatcraft Australia Pty Ltd. Original Equipment Manufacturers
Subsidiaries:	Kulthorn Kirby Foundry Co., Ltd. Kulthorn Premier Co., Ltd. Kulthorn Steel Co., Ltd. Kulthorn Materials & Controls Co., Ltd. Kulthorn Metal Products Co., Ltd.



# Model Number System

Family Release Variant : A = 1 st., B = 2 nd., etc.

- Abbreviated Nominal Rated BTU Capacity at 60Hz.
- In this example (4) total digits, with the first two (14) indicating 1,400 BTU/Hr. capacity.

AZ A 3 4 14 Y - 1

Electricity Supply Code

- |                                       |                                     |
|---------------------------------------|-------------------------------------|
| None - 220 - 240V/50Hz                | <b>3PHASE</b>                       |
| -1 - 115V/60Hz                        | -9 = 380-420V/50Hz , 460V/60Hz      |
| -2 - 208-230V/60Hz                    | -XG = 380-420V/50Hz , 440-460V/60Hz |
| -3 - 100V/50-60Hz                     | -XT = 200-220V/50Hz , 200-230V/60Hz |
| -4 - 110V/60Hz                        | -XI = 380V/60Hz                     |
| -5 - 127V/60Hz                        | -XK = 480V/60Hz                     |
| -6 - 220-240V/50Hz ,<br>208-230V/60Hz |                                     |
| -7 - 127V/50-60Hz                     |                                     |
| -8 - 110-115V/60Hz                    |                                     |

Refrigerant

- |                |               |
|----------------|---------------|
| A,V - R12      | G - R22/R407C |
| E - R22        | M - R600a     |
| Y - R134a      | N - R290      |
| Z - R404A/R507 | B - R410A     |

Application

- 1 = Low Back Pressure. Motor With Normal Starting Torque.
- 2 = Low Back Pressure. Motor With High Starting Torque.
- 3 = High Back Pressure. Motor With Normal Starting Torque.
- 4 = High Back Pressure. Motor With High Starting Torque.
- 5 = Air Conditioning. Motor With Normal Starting Torque.
- 6 = Medium Back Pressure. Motor With Normal Starting Torque.
- 7 = Medium Back Pressure. Motor With High Starting Torque.
- 8 = Air Conditioning (High eff.) Motor with Normal Starting Torque.
- 9 = Commercial Back Pressure. Motor with High Starting Torque.
- 0 = Commercial Back Pressure. Motor with Normal Starting Torque.

Compressor Family : AZ-AZA-AE-BA-CA-WJ-AW-KA-LA

App.	Model	Disp. (cc)	Cooling Capacity		Input (W)	COP (W/W)	EER (BTU/W-Hr)	RLA (A)	LRA (A)	Motor Type	Start CAP.		Run CAP.		Dim. "A"
			(BTU/Hr)	(W)							MFD	VAC	MFD	VAC	
R134a			220-240V / 50Hz / 1Ph.												
LBP	AZ A1320Y	2.73	198	58	57	1.02	3.47	0.3	6.4	R.S.I.R.	No	No	No	No	162
		2.73	198	58	52	1.12	3.81	0.2	5.8	R.S.C.R.	No	No	4	450	159
	AZ A1327Y	3.28	252	74	73	1.01	3.46	0.5	7.4	R.S.I.R.	No	No	No	No	168
		3.28	273	80	63	1.27	4.33	0.3	8.0	R.S.C.R.	No	No	4	440	159
	AZ A1330Y	3.59	290	85	79	1.08	3.67	0.5	8.0	R.S.I.R.	No	No	No	No	159
		3.59	307	90	66	1.36	4.65	0.3	8.0	R.S.C.R.	No	No	4	440	168
	AZ A1335Y	3.80	328	96	82	1.17	3.99	0.6	3.4	R.S.I.R.	No	No	No	No	168
		3.80	328	96	75	1.28	4.37	0.3	6.0	R.S.C.R.	No	No	4	440	168
	AZ A1340Y	4.00	375	110	92	1.20	4.08	0.7	4.5	R.S.I.R.	No	No	No	No	168
		4.00	375	110	80	1.38	4.69	0.4	7.0	R.S.C.R.	No	No	4	440	168
	AZ A1350Y	5.00	457	134	109	1.23	4.19	0.8	6.0	R.S.I.R.	No	No	No	No	180
		5.00	450	132	90	1.47	5.00	0.4	7.0	R.S.C.R.	No	No	4	440	180
	AZ A1360Y	5.59	495	145	128	1.13	3.87	1.0	8.9	R.S.I.R.	No	No	No	No	178
		5.59	512	150	100	1.50	5.12	0.5	7.0	R.S.C.R.	No	No	4	440	180
	AZ A1370Y	6.00	563	165	137	1.20	4.11	1.0	8.9	R.S.I.R.	No	No	No	No	180
		6.00	587	172	109	1.58	5.38	0.5	9.0	R.S.C.R.	No	No	4	440	180
	AZ A2340Y	4.00	375	110	92	1.20	4.08	0.7	10.0	C.S.I.R.	36-43	330	No	No	168
	AZ A2360Y	5.59	495	145	128	1.13	3.87	1.0	7.0	C.S.I.R.	36-43	330	No	No	178
	AE 1360Y	5.99	546	160	120	1.33	4.55	0.9	10.0	R.S.I.R.	No	No	No	No	184
		5.99	546	160	110	1.45	4.92	0.9	10.0	R.S.C.R.	No	No	4	440	184
	AE 1370Y	6.91	682	200	145	1.38	4.71	1.1	12.0	R.S.I.R.	No	No	No	No	184
		6.91	682	200	134	1.50	5.11	1.1	12.0	R.S.C.R.	No	No	4	440	184
	AE 1390Y	8.10	820	240	172	1.39	4.75	1.2	12.0	R.S.I.R.	No	No	No	No	184
		8.10	820	240	160	1.50	5.12	1.2	12.0	R.S.C.R.	No	No	4	440	184
	AE 1410Y	9.42	955	280	204	1.37	4.68	1.6	20.0	R.S.I.R.	No	No	No	No	200
		9.42	955	280	186	1.50	5.13	1.6	20.0	R.S.C.R.	No	No	4	440	200
	AE 1413Y	10.90	1,109	325	260	1.25	4.27	1.8	13.0	R.S.I.R.	No	No	No	No	184
		10.90	1,109	325	250	1.30	4.44	1.7	13.0	R.S.C.R.	No	No	4	450	184
	AE 2360Y	6.91	539	158	136	1.16	3.96	1.0	6.8	C.S.I.R.	36-43	330	No	No	189
		6.91	539	158	119	1.33	4.53	0.5	4.7	C.S.R.	36-43	330	5	440	189
	AE 2370Y	6.91	630	185	150	1.23	4.18	1.1	7.0	C.S.I.R.	36-43	330	No	No	176
	AE 2390Y	8.10	810	237	190	1.24	4.23	1.3	7.0	C.S.I.R.	36-43	330	No	No	184
AE 2410Y	9.42	920	270	215	1.26	4.28	1.5	9.0	C.S.I.R.	36-43	330	No	No	184	
	9.42	920	270	210	1.29	4.39	1.0	8.0	C.S.R.	36-43	330	8	450	184	
AE 2413Y	10.90	1,110	325	253	1.28	4.38	1.8	10.0	C.S.I.R.	36-43	330	No	No	184	
AE 2415Y	12.50	1,245	365	274	1.33	4.55	1.3	12.0	C.S.R.	36-43	330	8	450	200	
AE 2417Y	18.00	1,365	400	325	1.23	4.20	1.7	16.0	C.S.R.	36-43	330	10	440	216	
AE A2410Y	12.04	920	270	226	1.19	4.08	1.7	11.9	C.S.I.R.	36-43	330	No	No	216	
AE A2413Y	14.14	1,126	330	280	1.18	4.02	2.0	12.8	C.S.I.R.	36-43	330	No	No	216	
AE A2415Y	16.15	1,262	370	280	1.32	4.51	1.3	11.6	C.S.R.	36-43	330	8	450	212	
MBP/CBP	AZ A0349Y	2.73	512	150	110	1.36	4.65	0.8	7.0	R.S.I.R.	No	No	No	No	162
	AZ A0387Y	3.80	734	215	143	1.50	5.13	1.1	6.0	R.S.I.R.	No	No	No	No	168
	AZ A0411Y	5.00	972	285	178	1.60	5.46	1.4	16.0	R.S.I.R.	No	No	No	No	178
	AZ A0413YK	6.00	1,146	336	213	1.58	5.38	1.5	13.7	R.S.I.R.	No	No	No	No	178
	AZ A9349Y	2.73	512	150	110	1.36	4.65	0.8	5.0	C.S.I.R.	36-43	330	No	No	162
	AZ A9387Y	3.80	734	215	143	1.50	5.13	1.1	6.0	C.S.I.R.	36-43	330	No	No	168
	AZ A9411Y	5.00	972	285	178	1.60	5.46	1.4	8.0	C.S.I.R.	36-43	330	No	No	178
	AZ A9413Y	6.00	1,160	340	213	1.60	5.45	1.6	8.7	C.S.I.R.	36-43	330	No	No	178
	AE 6412Y	5.99	1,060	313	193	1.62	5.50	1.2	11.6	R.S.I.R.	No	No	No	No	189
	AE 7415Y	7.57	1,260	370	250	1.48	5.04	1.8	11.5	C.S.I.R.	36-43	330	No	No	188
	AE 7423Y	12.04	1,958	574	360	1.59	5.43	2.3	18.5	C.S.I.R.	36-43	330	No	No	203
	AE 7426Y	14.14	2,184	640	425	1.51	5.14	2.5	12.8	C.S.I.R.	36-43	330	No	No	216
	AE 7430Y	16.08	2,542	745	455	1.64	5.59	2.2	12.8	C.S.R.	36-43	330	8	450	216
	CA 7440Y	20.00	3,412	1,000	588	1.70	5.80	2.9	16.0	C.S.R.	43-52	330	10	440	215
	WJ 9430YK	19.80	3,003	880	490	1.80	6.13	2.1	19.0	C.S.R.	88-106	330	15	440	264
	WJ 9440YK	21.55	3,497	1,025	560	1.83	6.25	2.6	19.0	C.S.R.	88-106	330	15	440	264
	WJ 9445YK	24.20	3,992	1,170	640	1.83	6.24	2.9	18.7	C.S.R.	88-106	330	20	440	264
	WJ 9450YK	26.75	4,600	1,348	790	1.71	5.82	4.8	30.0	C.S.R.	88-106	330	15	440	264
	WJ 9460YK	30.50	5,390	1,580	870	1.82	6.20	4.2	30.0	C.S.R.	88-106	330	15	440	264
	WJ 9470Y	34.50	5,870	1,720	1,010	1.70	5.81	5.2	30.0	C.S.R.	88-106	330	15	440	264
MBP/HBP	AE 9417Y	8.10	1,604	470	260	1.80	6.14	1.2	9.5	C.S.R.	36-43	330	8	450	184
		8.10	2,798	820	335	2.45	8.35	1.6	9.5	C.S.R.	36-43	330	8	450	184
	AE 9419Y	9.42	1,638	480	330	1.45	4.96	2.3	15.0	C.S.I.R.	36-43	330	No	No	189
		9.42	3,078	902	450	2.00	6.84	2.7	15.0	C.S.I.R.	36-43	330	No	No	189
	AE 9437Y	18.00	3,140	920	532	1.73	5.90	2.6	16.3	C.S.R.	36-43	330	10	440	216
		18.00	5,732	1,680	730	2.30	7.85	3.5	16.3	C.S.R.	36-43	330	10	440	216
	AE 9445Y	22.30	3,753	1,100	667	1.65	5.63	3.5	21.0	C.S.R.	43-52	330	15	450	216
		22.30	6,824	2,000	930	2.15	7.34	4.6	21.0	C.S.R.	43-52	330	15	440	216
	BA 9426Y	12.03	2,218	650	350	1.85	6.32	1.7	11.0	C.S.R.	36-43	330	8	450	202
		12.03	3,992	1,170	468	2.50	8.53	2.2	11.0	C.S.R.	36-43	330	8	450	202
	BA 9430Y	14.14	2,593	760	410	1.85	6.32	2.0	13.0	C.S.R.	36-43	330	12	440	215
		14.14	4,644	1,360	545	2.50	8.52	2.7	13.0	C.S.R.	36-43	330	12	440	215

App.	Model	Disp. (cc)	Cooling Capacity		Input (W)	COP (W/W)	EER (BTU/W-Hr)	RLA (A)	LRA (A)	Motor Type	Start CAP.		Run CAP.		Dim. "A"
			(BTU/Hr)	(W)							MFD	VAC	MFD	VAC	
MBP/HBP	BA 9437Y	16.08	2,934	860	477	1.80	6.15	2.3	14.0	C.S.R.	36-43	330	15	440	215
		16.08	5,288	1,550	645	2.40	8.20	3.1	14.0	C.S.R.	36-43	330	15	440	215
	BA 9440Y	18.00	3,344	980	576	1.70	5.81	2.7	16.0	C.S.R.	36-43	330	10	440	215
		18.00	5,970	1,750	730	2.40	8.18	3.7	16.0	C.S.R.	36-43	330	10	440	215
	CA 9437Y	18.00	3,140	920	510	1.80	6.15	2.5	16.0	C.S.R.	36-43	330	10	440	215
		18.00	5,732	1,680	700	2.40	8.19	3.3	16.0	C.S.R.	36-43	330	10	440	215
	CA 9440Y	20.00	3,412	1,000	588	1.70	5.80	2.9	16.0	C.S.R.	43-52	330	10	440	215
		20.00	6,244	1,830	796	2.30	7.84	3.9	16.0	C.S.R.	43-52	330	10	440	215
	CA 9445Y	22.30	3,753	1,100	667	1.65	5.63	3.5	21.0	C.S.R.	43-52	330	15	450	215
		22.30	6,824	2,000	930	2.15	7.34	4.6	21.0	C.S.R.	43-52	330	15	450	215
	AW 4495YK	30.50	3,583	1,050	680	1.54	5.27	3.5	33.0	C.S.R.	88-106	330	20	440	289
		30.50	8,121	2,380	850	2.80	9.54	4.4	33.0	C.S.R.	88-106	330	20	440	289
	AW 4513YK	35.60	4,572	1,340	742	1.81	6.16	3.9	50.5	C.S.R.	88-106	330	30	440	289
		35.60	10,543	3,090	1,050	2.94	10.04	5.2	50.5	C.S.R.	88-106	330	30	440	289
	AW 4514YK	37.50	4,770	1,398	745	1.88	6.40	3.9	54.1	C.S.R.	88-106	330	35	440	324
		37.50	11,376	3,334	1,104	3.02	10.30	5.4	54.1	C.S.R.	88-106	330	35	440	324
AW 4515YK	39.60	5,350	1,568	847	1.85	6.32	4.2	54.0	C.S.R.	88-106	330	35	440	324	
	39.60	12,030	3,526	1,190	2.96	10.11	5.7	54.1	C.S.R.	88-106	330	35	440	324	
AW 4517YK	48.40	7,336	2,150	1,050	2.05	6.99	4.9	35.0	C.S.R.	108-130	330	20	440	324	
	48.40	14,665	4,298	1,487	2.89	9.86	6.8	35.0	C.S.R.	108-130	330	20	440	324	
HBP	AZ A3414Y	3.80	1,280	375	175	2.14	7.31	1.2	6.0	R.S.I.R.	No	No	No	No	168
	AZ A3417Y	5.00	1,706	500	233	2.15	7.32	1.6	16.0	R.S.I.R.	No	No	No	No	168
	AZ A3423Y	5.59	2,000	586	257	2.28	7.78	1.6	12.0	R.S.I.R.	No	No	No	No	168
	AZ A3425Y	6.00	2,140	627	283	2.22	7.56	1.8	13.0	R.S.I.R.	No	No	No	No	178
	AZ A4414Y	3.80	1,280	375	175	2.14	7.31	1.2	6.0	C.S.I.R.	36-43	330	No	No	168
	AZ A4417Y	5.00	1,706	500	233	2.15	7.32	1.6	8.0	C.S.I.R.	36-43	330	No	No	168
	AZ A4425Y	6.00	2,047	600	300	2.00	6.82	1.9	9.0	C.S.I.R.	36-43	330	No	No	178
	AE 3425Y	7.57	2,490	730	342	2.13	7.28	2.2	13.6	R.S.I.R.	No	No	No	No	189
	AE 3430Y	8.86	2,900	850	395	2.15	7.34	2.5	22.0	R.S.I.R.	No	No	No	No	189
	AE 3435Y	9.42	3,044	892	427	2.09	7.13	2.7	21.1	R.S.I.R.	No	No	No	No	189
	AE 3440Y	12.04	3,634	1,065	510	2.09	7.13	3.0	11.3	R.S.I.R.	No	No	No	No	192
	AE 3448Y	14.14	4,094	1,200	595	2.02	6.88	3.5	29.1	R.S.I.R.	No	No	No	No	216
	AE 4425Y	7.57	2,388	700	327	2.14	7.30	2.2	10.7	C.S.I.R.	36-43	330	No	No	183
	AE 4430Y	8.86	2,798	820	390	2.10	7.17	2.5	12.0	C.S.I.R.	36-43	330	No	No	176
		8.86	2,716	796	340	2.35	8.01	1.6	9.5	C.S.R.	36-43	330	8	450	189
	AE 4435Y	9.42	3,078	902	440	2.05	6.99	2.7	14.1	C.S.I.R.	36-43	330	No	No	189
		9.42	3,070	900	375	2.40	8.19	1.8	10.0	C.S.R.	36-43	330	8	450	183
	AE 4440Y	12.04	3,668	1,075	505	2.13	7.26	3.1	14.7	C.S.I.R.	36-43	330	No	No	202
		12.04	3,668	1,075	420	2.56	8.73	2.0	10.7	C.S.R.	36-43	330	8	450	202
	AE 4448Y	14.14	4,060	1,190	575	2.07	7.06	3.5	23.9	C.S.I.R.	36-43	330	No	No	212
		14.14	4,163	1,220	520	2.35	8.01	2.4	12.3	C.S.R.	36-43	330	12	440	212
	AE 4459Y	16.08	4,947	1,450	615	2.36	8.04	2.8	12.0	C.S.R.	43-52	330	15	440	216
BA 4462Y	16.08	5,288	1,550	645	2.40	8.20	3.1	16.0	C.S.R.	36-43	330	15	440	215	
CA 4474Y	20.00	6,244	1,830	796	2.30	7.84	3.9	16.0	C.S.R.	43-52	330	10	440	215	

115V / 60Hz / 1Ph

LBP	AZ A1320Y-1	2.73	263	77	77	1.00	3.41	1.3	9.0	R.S.I.R.	No	No	No	No	162
	AZ A1327Y-1	3.28	314	92	84	1.09	3.72	1.4	14.0	R.S.I.R.	No	No	No	No	168
	AZ A1330Y-1	3.59	375	110	97	1.13	3.86	1.5	14.0	R.S.I.R.	No	No	No	No	168
	AZ A1335Y-1	3.80	392	115	104	1.11	3.77	1.7	14.0	R.S.I.R.	No	No	No	No	168
	AZ A1340Y-1	4.00	427	125	113	1.11	3.77	1.7	15.0	R.S.I.R.	No	No	No	No	168
	AZ A1350Y-1	5.00	505	148	140	1.06	3.61	2.6	20.0	R.S.I.R.	No	No	No	No	172
	AZ A1360Y-1	5.59	630	185	155	1.19	4.07	2.7	26.0	R.S.I.R.	No	No	No	No	178
	AZ A1370Y-1	6.00	665	195	170	1.15	3.91	3.1	29.0	R.S.I.R.	No	No	No	No	178
	AZ A2340Y-1	4.00	427	125	113	1.11	3.77	1.7	15.0	C.S.I.R.	108-130	330	No	No	168
	AZ A2360YK-1	5.59	630	185	155	1.19	4.07	2.7	18.0	C.S.I.R.	108-130	250	No	No	178
	AE 2410Y-1	9.42	1,024	300	260	1.15	3.94	3.9	26.0	C.S.I.R.	108-130	330	No	No	184
	AE 2413Y-1	10.90	1,200	352	304	1.16	3.95	4.1	26.0	C.S.I.R.	108-130	330	No	No	184
MBP/CBP	AZ A0349Y-1	2.73	601	176	128	1.38	4.71	1.7	14.0	R.S.I.R.	No	No	No	No	162
	AZ A0370Y-1	2.95	652	191	137	1.39	4.74	1.8	14.0	R.S.I.R.	No	No	No	No	162
	AZ A0387Y-1	3.80	860	252	168	1.50	5.12	2.6	15.0	R.S.I.R.	No	No	No	No	168
	AZ A0411Y-1	5.00	1,140	334	220	1.52	5.19	3.1	17.0	R.S.I.R.	No	No	No	No	178
	AZ A0413YK-1	6.00	1,360	400	255	1.57	5.34	3.2	28.8	R.S.I.R.	No	No	No	No	178
	AZ A9413Y-1	6.00	1,310	384	260	1.48	5.04	3.6	19.6	C.S.I.R.	36-43	250	No	No	178
	AE 7423Y-1	12.04	2,300	674	420	1.60	5.48	4.6	37.0	C.S.R.	130-156	330	15	440	212
	AE 7426Y-1	14.14	2,600	762	487	1.56	5.34	5.2	37.0	C.S.R.	130-156	330	15	440	216
	AE 9437Y-1	18.00	3,363	986	663	1.49	5.07	5.9	40.0	C.S.R.	130-156	330	25	440	216
	WJ 9440YK-1	21.55	4,026	1,180	685	1.72	5.88	6.5	46.8	C.S.R.	216-259	250	25	440	264
WJ 9445YK-1	24.20	4,710	1,380	810	1.70	5.81	7.6	52.0	C.S.R.	216-259	250	30	440	264	
WJ 9460YK-1	30.50	6,250	1,832	1,090	1.68	5.73	9.7	61.0	C.S.R.	216-259	250	30	440	264	
MBP/HBP	AZ A9387Y-1	3.80	860	252	168	1.50	5.12	2.6	15.1	C.S.I.R.	88-106	330	No	No	168
		3.80	1,518	445	220	2.02	6.90	2.8	15.1	C.S.I.R.	88-106	330	No	No	168
	CA 9437Y-1	18.00	3,446	1,010	697	1.45	4.94	9.3	45.0	C.S.I.R.	130-156	330	No	No	215
		18.00	6,653	1,950	975	2.00	6.82	11.0	45.0	C.S.I.R.	130-156	330	No	No	215
	CA 9440Y-1	20.00	3,821	1,120	700	1.60	5.46	6.8	40.0	C.S.R.	130-156	330	25	440	215
		20.00	6,900	2,022	1,010	2.00	6.83	9.5	40.0	C.S.R.	130-156	330	25	440	215
CA 9445Y-1	22.30	4,146	1,215	860	1.41	4.82	9.5	45.0	C.S.R.	130-156	330	35	440	215	
	22.30	7,610	2,230	1,200	1.86	6.34	12.0	45.0	C.S.R.	130-156	330	35	440	215	
HBP	AZ A3414Y-1	3.80	1,518	445	383	2.02	6.90	2.8	15.1	R.S.I.R.	No	No	No	No	168
	AZ A4414Y-1	3.80	1,518	445	383	2.02	6.90	2.8	15.1	C.S.I.R.	88-106	330	No	No	168
	AE 3417Y-1	5.68	2,000	586	288	2.04	6.95	3.3	27.0	R.S.I.R.	No	No	No	No	189
	AE 3425Y-1	7.57	2,736	802	400	2.01	6.82	4.3	22.6	R.S.I.R.	No	No	No	No	189
	AE 4425Y-1	7													

App.	Model	Disp. (cc)	Cooling Capacity		Input (W)	COP (W/W)	EER (BTU/W-Hr)	RLA (A)	LRA (A)	Motor Type	Start CAP.		Run CAP.		Dim. "A"
			(BTU/Hr)	(W)							MFD	VAC	MFD	VAC	
<b>208-230V / 60Hz / 1Ph.</b>															
LBP	AZ A1320Y-2	2.95	263	77	77	1.00	3.41	0.6	6.5	R.S.I.R.	No	No	No	No	162
	AZ A1327YK-2	3.28	314	92	86	1.07	3.65	0.7	8.5	R.S.I.R.	No	No	No	No	162
	AZ A1330YK-2	3.59	314	92	85	1.08	3.69	0.7	8.8	R.S.I.R.	No	No	No	No	168
	AZ A1335YK-2	3.80	392	115	104	1.11	3.77	0.8	8.4	R.S.I.R.	No	No	No	No	168
		3.80	392	115	97	1.19	4.05	0.5	8.8	R.S.C.R.	No	No	4	440	168
	AZ A1340YK-2	4.00	437	128	112	1.14	3.90	0.9	9.6	R.S.I.R.	No	No	No	No	168
	AZ A1360YK-2	5.59	618	183	148	1.24	4.17	1.1	13.5	R.S.I.R.	No	No	No	No	178
	AE 1370Y-2	8.12	717	210	184	1.14	3.90	1.3	16.7	R.S.I.R.	No	No	No	No	189
	AE 1390Y-2	9.42	955	280	235	1.19	4.06	1.7	17.6	R.S.I.R.	No	No	No	No	202
	AE 2370Y-2	8.10	750	220	170	1.29	4.42	0.8	7.8	C.S.R.	36-43	330	5	440	189
	AE 2390Y-2	9.42	955	280	236	1.19	4.05	1.7	13.1	C.S.I.R..	36-43	330	No	No	202
	AE 2410Y-2	14.14	1,065	312	307	1.02	3.47	2.5	15.9	C.S.I.R..	36-43	330	No	No	216
	AE 2411Y-2	14.14	1,116	327	270	1.21	4.15	1.3	12.2	C.S.R.	36-43	330	8	450	216
AE 2413Y-2	16.08	1,270	372	350	1.07	3.64	1.8	19.2	C.S.R.	36-43	330	8	450	216	
MBP/CBP	AZ A0387Y-2	3.80	860	252	164	1.54	5.24	1.1	6.0	R.S.I.R..	No	No	No	No	168
	AZ A0413YK-2	6.00	1,330	390	265	1.47	5.02	1.8	17.6	R.S.I.R..	No	No	No	No	178
	AZ A9413Y-2	6.00	1,366	400	265	1.51	5.16	2.0	12.0	C.S.I.R..	36-43	330	No	No	178
	AE 0412Y-2	5.99	1,260	370	230	1.61	5.50	1.4	12.8	R.S.I.R..	No	No	No	No	189
		5.99	2,283	670	307	2.18	7.45	1.7	12.8	R.S.I.R..	No	No	No	No	189
	AE 7423Y-2	12.04	2,286	670	438	1.53	5.22	2.7	12.6	C.S.I.R..	36-43	330	No	No	203
	AE 7425Y-2	14.14	2,525	740	497	1.49	5.08	3.0	19.5	C.S.I.R..	36-43	330	No	No	216
	AE 7430Y-2	16.08	2,955	866	530	1.63	5.58	2.6	17.0	C.S.R.	36-43	330	8	450	216
	WJ 9440YK-2	21.55	3,950	1,158	680	1.70	5.81	3.2	19.4	C.S.R.	88-106	330	20	440	264
	WJ 9445YK-2	24.20	4,660	1,366	767	1.78	6.08	3.5	37.0	C.S.R.	108-130	330	20	440	264
	WJ 9450Y-2	26.75	5,500	1,612	850	1.90	6.47	4.1	32.0	C.S.R.	108-130	330	15	425	264
	WJ 9460YK-2	30.50	6,142	1,800	1,025	1.76	5.99	4.7	32.0	C.S.R.	108-130	330	15	440	264
	MBP/HBP	AE 9423Y-2	12.04	2,327	682	396	1.72	5.88	1.9	13.0	C.S.R.	36-43	330	8	450
12.04			4,333	1,270	560	2.27	7.74	2.6	13.0	C.S.R.	36-43	330	8	450	203
AE 9437Y-2		18.00	3,430	1,005	635	1.58	5.40	3.0	16.7	C.S.R.	36-43	330	10	440	214
		18.00	6,653	1,950	870	2.24	7.65	4.2	16.7	C.S.R.	36-43	330	10	440	214
CA 9437Y-2		18.00	3,446	1,010	608	1.66	5.67	3.0	17.0	C.S.R.	36-43	330	10	440	215
		18.00	6,653	1,950	848	2.30	7.85	4.0	17.0	C.S.R.	36-43	330	10	440	215
CA 9440Y-2		20.00	3,900	1,143	700	1.63	5.57	3.3	20.0	C.S.R.	43-52	330	10	440	215
		20.00	7,063	2,070	990	2.09	7.13	4.6	20.0	C.S.R.	43-52	330	10	440	215
CA 9445Y-2		22.30	4,214	1,235	775	1.59	5.44	3.4	20.0	C.S.R.	43-52	330	15	440	215
		22.30	7,626	2,235	1,080	2.07	7.06	4.8	20.0	C.S.R.	43-52	330	15	440	215
HBP	AZ A3414Y-2	3.80	1,518	445	215	2.07	7.06	1.2	6.0	R.S.I.R..	No	No	No	No	168
	AE 3417Y-2	5.68	1,945	570	295	1.93	6.59	1.7	11.6	R.S.I.R..	No	No	No	No	189
	AE 3425Y-2	7.57	2,764	810	392	2.07	7.05	2.3	12.5	R.S.I.R..	No	No	No	No	189
	AE 3430Y-2	8.86	3,207	940	460	2.04	6.96	2.8	18.5	R.S.I.R..	No	No	No	No	202
	AE 4425Y-2	7.57	2,753	807	390	2.07	7.06	2.3	12.6	C.S.I.R..	36-43	330	No	No	189
	AE 4430Y-2	8.86	3,207	940	475	1.98	6.75	2.8	15.6	C.S.I.R..	36-43	330	No	No	202
		8.86	3,320	973	436	2.23	7.61	2.0	14.9	C.S.R.	36-43	330	8	450	189
	AE 4440Y-2	12.04	4,197	1,230	610	2.02	6.88	3.5	15.0	C.S.I.R..	36-43	330	No	No	202
		12.04	4,400	1,290	533	2.42	8.26	2.4	12.0	C.S.R.	36-43	330	10	440	202
	AE 4448Y-2	14.14	4,784	1,402	627	2.24	7.63	3.0	15.9	C.S.R.	36-43	330	10	440	212
	AE 4459Y-2	16.08	5,613	1,645	774	2.13	7.25	3.6	18.0	C.S.R.	36-43	330	15	440	212
	WJ 4495Y-2	30.50	10,236	3,000	1,100	2.73	9.31	6.6	32.0	C.S.R.	108-130	330	15	440	264
	AW 4495YK-2	30.50	9,980	2,925	1,075	2.72	9.28	5.2	47.0	C.S.R.	130-156	330	30	440	289
	AW 4513YK-2	35.60	12,420	3,640	1,304	2.79	9.52	6.0	73.0	C.S.R.	108-130	330	35	440	289
	AW 4517YK-2	48.40	17,060	5,000	1,760	2.84	9.69	8.0	73.0	C.S.R.	130-156	330	35	440	324

100V / 50Hz / 1Ph.

LBP	AZ A1320Y-3	2.73	229	67	69	0.97	3.31	1.2	8.0	R.S.I.R..	No	No	No	No	165
	AZ A1330Y-3	3.59	290	85	77	1.11	3.79	1.5	13.0	R.S.I.R..	No	No	No	No	168
	AE 2360Y-3	6.91	597	175	155	1.13	3.85	2.0	16.9	C.S.R.	36-43	250	15	440	189
	AE 2370Y-3	8.10	710	208	180	1.16	3.94	2.2	16.9	C.S.R.	36-43	250	15	440	189
	AE 2390Y-3	9.42	820	240	196	1.22	4.18	2.7	27.1	C.S.R.	108-130	250	15	440	189
MBP/CBP	AZ A0413YK-3	6.00	1,143	335	240	1.40	4.76	4.3	26.4	R.S.I.R..	No	No	No	No	178
HBP	AZ A3414Y-3	3.80	1,330	390	180	2.17	7.39	2.8	15.0	R.S.I.R..	No	No	No	No	168
	AE 4425Y-3	7.57	2,395	702	356	1.97	6.73	5.8	25.8	C.S.I.R..	108-130	250	No	No	189
	AE 4430Y-3	8.86	2,798	820	412	1.99	6.79	6.0	25.8	C.S.I.R..	108-130	250	No	No	189
	AE 4440Y-3	12.04	3,668	1,075	560	1.92	6.55	8.0	37.0	C.S.R.	130-156	330	35	440	202
	AE 4448Y-3	14.14	4,367	1,280	570	2.25	7.66	6.4	24.1	C.S.R.	130-156	330	35	440	216

100V / 60Hz / 1Ph.

LBP	AZ A1320Y-3	2.73	263	77	75	1.03	3.50	1.2	8.0	R.S.I.R..	No	No	No	No	165
	AZ A1330Y-3	3.59	375	110	96	1.15	3.92	1.4	12.0	R.S.I.R..	No	No	No	No	168
	AE 2360Y-3	6.91	682	200	183	1.09	3.73	1.9	14.8	C.S.R.	36-43	250	15	440	189
	AE 2370Y-3	8.10	809	237	216	1.10	3.74	2.2	14.8	C.S.R.	36-43	250	15	440	189
	AE 2390Y-3	9.42	955	280	230	1.22	4.15	2.5	23.3	C.S.R.	108-130	250	15	440	189
MBP/CBP	AZ A0413YK-3	6.00	1,330	390	256	1.52	5.20	3.7	24.2	R.S.I.R..	No	No	No	No	178
HBP	AZ A3414Y-3	3.80	1,518	445	212	2.10	7.17	2.8	15.0	R.S.I.R..	No	No	No	No	168
	AE 4425Y-3	7.57	2,832	830	393	2.11	7.21	5.2	24.0	C.S.I.R..	108-130	250	No	No	189
	AE 4430Y-3	8.86	3,207	940	475	1.98	6.75	5.9	24.0	C.S.I.R..	108-130	250	No	No	189
	AE 4440Y-3	12.04	4,248	1,245	620	2.01	6.85	7.7	37.0	C.S.R.	130-156	330	35	440	202
	AE 4448Y-3	14.14	4,880	1,430	695	2.06	7.02	7.0	23.0	C.S.R.	130-156	330	35	440	216

App.	Model	Disp. (cc)	Cooling Capacity		Input (W)	COP (W/W)	EER (BTU/W-Hr)	RLA (A)	LRA (A)	Motor Type	Start CAP.		Run CAP.		Dim. "A"
			(BTU/Hr)	(W)							MFD	VAC	MFD	VAC	
<b>110V / 60Hz / 1Ph</b>															
LBP	AZ A1320Y-4	2.86	273	80	78	1.03	3.46	1.2	11.0	R.S.I.R..	No	No	No	No	159
	AZ A1330YK-4	3.59	314	92	85	1.08	3.69	1.2	12.5	R.S.I.R..	No	No	No	No	168
	AZ A1335YK-4	3.80	392	115	104	1.11	3.77	1.8	15.6	R.S.I.R..	No	No	No	No	168
		3.80	392	115	97	1.19	4.05	1.6	15.8	R.S.C.R..	No	No	4	440	168
	AZ A1340YK-4	4.00	437	128	112	1.14	3.90	1.7	15.0	R.S.I.R..	No	No	No	No	168
	AZ A1360YK-4	5.59	614	180	155	1.16	3.96	2.7	26.0	R.S.I.R..	No	No	No	No	178
	AZ A2360YK-4	5.59	630	185	155	1.19	4.07	2.7	18.0	C.S.I.R..	108-130	250	No	No	178
AE 2411Y-4	14.14	1,110	325	275	1.18	4.04	2.8	28.0	C.S.R.	108-130	250	15	440	216	
MBP	AE 7423Y-4	12.04	2,286	670	435	1.54	5.26	5.1	24.6	C.S.I.R..	108-130	250	No	No	203
HBP	AZ A3414Y-4	3.80	1,518	445	215	2.07	7.06	2.8	15.0	R.S.I.R..	No	No	No	No	168
	AE 4425Y-4	7.57	2,790	818	410	2.00	6.81	5.3	24.4	C.S.I.R..	108-130	250	No	No	189
		8.86	3,272	960	490	1.96	6.68	5.9	29.9	C.S.I.R..	108-130	250	No	No	189
	AE 4430Y-4	8.86	3,293	965	432	2.23	7.62	3.9	23.0	C.S.R.	108-130	250	30	440	189
		12.04	4,333	1,270	560	2.27	7.74	5.1	14.0	C.S.R.	108-130	250	30	440	203
	AE 4448Y-4	14.14	4,947	1,450	652	2.22	7.59	6.5	32.2	C.S.R.	108-130	250	20	440	216

<b>127V / 60Hz / 1Ph</b>															
LBP	AZ A1320Y-5	2.73	263	77	75	1.03	3.50	1.4	10.0	R.S.I.R..	No	No	No	No	162
	AZ A1330Y-5	3.59	375	110	101	1.09	3.72	1.5	15.0	R.S.I.R..	No	No	No	No	168
	AZ A1335YK-5	3.80	392	115	104	1.11	3.77	1.4	14.1	R.S.I.R..	No	No	No	No	168

<b>220-240V / 50Hz / 1Ph</b>															
LBP	AZ A1330Y-6	3.59	307	90	97	0.93	3.17	1.0	11.0	R.S.I.R..	No	No	No	No	168
	AZ A1335Y-6	3.80	328	96	100	0.96	3.28	1.0	9.0	R.S.I.R..	No	No	No	No	168
	AZ A1350Y-6	5.00	457	134	109	1.23	4.19	0.8	9.0	R.S.I.R..	No	No	No	No	178
	AZ A1360Y-6	5.59	495	145	121	1.20	4.09	1.0	8.0	R.S.I.R..	No	No	No	No	178
	AZ A 1370Y-6	6.00	563	165	150	1.10	3.75	1.0	12.0	R.S.C.R..	No	No	4	440	178
	AE 1390Y-6	9.42	870	255	203	1.26	4.29	1.6	16.5	R.S.I.R..	No	No	No	No	202
	AE A0411Y-6	5.00	972	285	178	1.60	5.46	1.4	16.0	R.S.I.R..	No	No	No	No	178
MBP/CBP	AZ A9387Y-6	3.80	734	215	143	1.50	5.13	1.1	6.0	C.S.I.R..	36-43	330	No	No	168
	AZ A9411Y-6	5.00	972	285	178	1.60	5.46	1.4	8.0	C.S.I.R..	36-43	330	No	No	178
	AE 7415Y-6	7.57	1,249	366	260	1.41	4.80	1.8	12.0	C.S.I.R..	36-43	330	No	No	188
	AE 7423Y-6	12.04	1,958	574	361	1.59	5.43	2.3	18.5	C.S.R.	36-43	330	4	440	202
	AE 7430Y-6	16.08	2,463	722	450	1.60	5.47	2.8	17.0	C.S.R.	36-43	330	8	450	216
	CA 9445Y-6	22.30	6,824	2,000	966	2.07	7.06	5.0	20.0	C.S.R.	43-52	330	15	450	215
	AE A3417Y-6	5.00	1,706	500	233	2.15	7.32	1.6	16.0	R.S.I.R..	No	No	No	No	178
HBP	AZ A4417Y-6	5.00	1,706	500	233	2.15	7.32	1.6	8.0	C.S.I.R..	36-43	330	No	No	178
	AE 3425Y-6	7.57	2,423	710	343	2.07	7.06	2.5	17.5	R.S.I.R..	No	No	No	No	189
	AE 4425Y-6	7.57	2,388	700	327	2.14	7.30	2.2	11.0	C.S.I.R..	36-43	330	No	No	183
	AE 4430Y-6	8.86	2,695	790	320	2.47	8.42	1.8	10.0	C.S.R.	36-43	330	10	450	183
	AE 4435Y-6	9.42	3,071	900	370	2.43	8.30	2.2	12.0	C.S.R.	36-43	330	10	450	183
	AE 4440Y-6	12.04	3,668	1,075	456	2.36	8.04	2.2	10.7	C.S.R.	36-43	330	8	450	202
	AE 4448Y-6	14.14	4,450	1,304	574	2.27	7.75	3.2	19.0	C.S.R.	36-43	330	10	440	216
	AE 4459Y-6	16.08	4,947	1,450	615	2.36	8.04	3.0	18.0	C.S.R.	43-52	330	20	440	216

<b>208-230V / 60Hz / 1Ph</b>															
LBP	AZ A1330Y-6	3.59	375	110	105	1.05	3.57	0.8	12.0	R.S.I.R..	No	No	No	No	168
	AZ A1335Y-6	3.80	392	115	108	1.06	3.63	0.9	8.0	R.S.I.R..	No	No	No	No	168
	AZ A1350Y-6	5.00	512	150	125	1.20	4.09	0.8	9.0	R.S.I.R..	No	No	No	No	178
	AZ A1360Y-6	5.59	580	170	135	1.26	4.30	0.9	9.0	R.S.I.R..	No	No	No	No	178
	AZ A 1370Y-6	6.00	665	195	153	1.27	4.35	0.9	11.0	R.S.C.R..	No	No	4	440	178
	AE 1390Y-6	9.42	1,013	297	236	1.26	4.29	1.5	15.0	R.S.I.R..	No	No	No	No	202
MBP/CBP	AZ A0411Y-6	5.00	1,109	325	203	1.60	5.46	1.3	16.0	R.S.I.R..	No	No	No	No	178
	AZ A9387Y-6	3.80	880	258	165	1.56	5.34	1.1	6.0	C.S.I.R..	36-43	330	No	No	168
	AZ A9411Y-6	5.00	1,109	325	203	1.60	5.46	1.3	7.0	C.S.I.R..	36-43	330	No	No	178
	AE 7415Y-6	7.57	1,450	425	283	1.50	5.12	1.6	11.0	C.S.I.R..	36-43	330	No	No	188
	AE 7423Y-6	12.04	2,286	670	438	1.53	5.22	2.7	12.6	C.S.R.	36-43	330	4	440	202
	AE 7430Y-6	16.08	2,955	866	530	1.63	5.58	2.5	16.0	C.S.R.	36-43	330	8	450	215
	CA 9445Y-6	22.30	7,626	2,235	1,080	2.07	7.06	4.8	20.0	C.S.R.	43-52	330	15	450	215
HBP	AZ A3417Y-6	5.00	2,047	600	293	2.05	6.99	1.7	16.0	R.S.I.R..	No	No	No	No	178
	AZ A4417Y-6	5.00	2,047	600	293	2.05	6.99	1.7	7.0	C.S.I.R..	36-43	330	No	No	178
	AE 3425Y-6	7.57	2,850	835	396	2.11	7.19	2.4	16.7	R.S.I.R..	No	No	No	No	189
	AE 4425Y-6	7.57	2,800	821	405	2.03	6.92	2.3	10.0	C.S.I.R..	36-43	330	No	No	183
	AE 4430Y-6	8.86	3,276	960	390	2.46	8.40	2.0	9.0	C.S.R.	36-43	330	10	450	183
	AE 4435Y-6	9.42	3,583	1,050	435	2.41	8.24	2.4	11.0	C.S.R.	36-43	330	10	450	183
	AE 4440Y-6	12.04	4,357	1,277	550	2.32	7.92	2.5	11.2	C.S.R.	36-43	330	8	450	202
	AE 4448Y-6	14.14	4,780	1,401	627	2.23	7.62	2.9	16.0	C.S.R.	36-43	330	10	440	216
	AE 4459Y-6	16.08	5,630	1,650	750	2.20	7.51	3.5	16.0	C.S.R.	43-52	330	20	440	216

<b>380-420V / 50Hz / 3Ph</b>															
MBP	AW 7514YXG	71.00	11,500	3,370	1,630	2.07	7.06	3.3	40.0	3 PHASE	No	No	No	No	324
HBP	WJ 4512YXG	34.50	11,860	3,476	1,350	2.57	8.79	2.5	24.0	3 PHASE	No	No	No	No	264
	AW 4520YXG	53.50	18,260	5,352	1,575	3.40	11.59	3.1	30.0	3 PHASE	No	No	No	No	324
	AW 4528YXG	71.00	23,200	6,800	2,255	3.02	10.29	4.1	40.0	3 PHASE	No	No	No	No	324

<b>440-460V / 60Hz / 3Ph</b>															
MBP	AW 7514YXG	71.00	14,100	4,132	1,995	2.07	7.07	3.3	40.0	3 PHASE	No	No	No	No	324
HBP	WJ 4512YXG	34.50	13,820	4,050	1,650	2.45	8.38	2.5	24.0	3 PHASE	No	No	No	No	264
	AW 4520YXG	53.50	21,270	6,234	1,850	3.37	11.50	3.2	30.0	3 PHASE	No	No	No	No	324
	AW 4528YXG	71.00	27,980	8,200	2,750	2.98	10.10	4.1	40.0	3 PHASE	No	No	No	No	324

App.	Model	Disp. (cc)	Cooling Capacity		Input (W)	COP (W/W)	EER. (BTU/W-Hr)	RLA (A)	LRA (A)	Motor Type	Start CAP.		Run CAP.		Dim. "A"
			(BTU/Hr)	(W)							MFD	VAC	MFD	VAC	
<b>R600a</b>			<b>220-240V / 50Hz / 1Ph.</b>												
LBP	AZ A1320M	3.80	188	55	42	1.31	4.47	0.2	5.0	R.S.C.R.	No	No	3	450	168
	AZ A1327M	4.00	222	65	46	1.41	4.82	0.2	5.0	R.S.C.R.	No	No	3	450	168
	AZ A1330M	5.00	239	70	50	1.40	4.78	0.3	5.0	R.S.C.R.	No	No	4	450	168
	AZ A1335M	5.60	290	85	67	1.27	4.33	0.3	6.0	R.S.C.R.	No	No	4	440	172
	AZ A1340M	6.00	324	95	64	1.48	5.06	0.3	6.8	R.S.C.R.	No	No	4	440	172
	AE 1340M	6.91	382	112	78	1.44	4.89	0.4	7.0	R.S.C.R.	No	No	4	440	184
	AE 1350M	8.10	450	132	90	1.47	5.00	0.4	7.0	R.S.C.R.	No	No	5	450	184
	AE 1360M	9.42	545	160	110	1.46	4.98	0.5	9.0	R.S.C.R.	No	No	4	440	184
	BA 1390M	14.14	810	235	145	1.62	5.53	0.7	7.0	R.S.C.R.	No	No	5	450	202
MBP	AZ A9430M	4.00	427	125	76	1.64	5.61	0.5	8.0	R.S.I.R.	No	No	No	No	168
HBP	AE 3414M	7.57	1,365	400	165	2.42	8.27	1.2	10.0	R.S.I.R.	No	No	No	No	184
	AE 4430M	14.14	2,559	750	296	2.53	8.65	1.9	9.5	C.S.I.R.	36-43	330	No	No	202

**115V / 60Hz / 1Ph.**

LBP	AZ A1320M-1	3.80	222	65	64	1.02	3.47	1.1	11.0	R.S.I.R.	No	No	No	No	159
	AZ A1327M-1	4.00	238	70	68	1.03	3.49	1.3	16.0	R.S.I.R.	No	No	No	No	168
	AZ A1330M-1	5.00	290	85	80	1.06	3.63	1.3	12.0	R.S.I.R.	No	No	No	No	168
	AZ A1340M-1	6.00	392	115	75	1.53	5.23	0.7	8.0	R.S.C.R.	No	No	8	450	172
	AE 1360M-1	9.42	630	185	126	1.47	5.01	1.3	12.0	R.S.C.R.	No	No	8	450	176

**208-230V / 60Hz / 1Ph.**

LBP	AZ A1340M-2	6.00	392	115	76	1.51	5.16	0.4	7.0	R.S.C.R.	No	No	4	440	172
	AE 1360M-2	9.42	631	185	128	1.45	4.93	0.6	9.0	R.S.C.R.	No	No	4	450	176

**100V / 50Hz / 1Ph.**

LBP	AZ A 1340M-3	6.00	324	95	66	1.44	4.91	0.8	9.0	R.S.C.R.	No	No	10	450	178
	AE 1350M-3	8.10	444	130	102	1.27	4.35	1.8	14.0	R.S.I.R.	No	No	No	No	184

**100V / 60Hz / 1Ph.**

LBP	AZ A 1340M-3	6.00	392	115	77	1.49	5.10	0.8	9.0	R.S.C.R.	No	No	10	450	178
	AE 1350M-3	8.10	512	150	115	1.30	4.45	1.7	13.0	R.S.I.R.	No	No	No	No	184

App.	Model	Disp. (cc)	Cooling Capacity		Input (W)	COP (W/W)	EER. (BTU/W-Hr)	RLA (A)	LRA (A)	Motor Type	Start CAP.		Run CAP.		Dim. "A"
			(BTU/Hr)	(W)							MFD	VAC	MFD	VAC	
<b>R290</b>			<b>220-240V / 50Hz / 1Ph.</b>												
LBP	AZ A2410N	5.59	887	260	186	1.40	4.77	1.3	8.0	C.S.I.R.	36-43	330	No	No	178
	AZ A2413N	6.00	1,007	295	210	1.40	4.77	1.4	7.0	C.S.I.R.	36-43	330	No	No	178
	AE 2417N	9.42	1,518	445	343	1.30	4.43	2.2	10.0	C.S.I.R.	36-43	330	No	No	184
	CA 2435N	22.30	2,914	854	733	1.17	3.98	4.2	23.0	C.S.R.	88-106	330	20	440	215
	WJ 2450N	30.50	3,770	1,105	814	1.36	4.63	4.4	35.0	C.S.R.	145-174	330	25	440	264
MBP/CBP	AE 9415N	5.48	1,296	380	253	1.50	5.12	1.8	12.0	C.S.I.R.	36-43	250	No	No	188
	AE 9422N	7.57	1,842	540	348	1.55	5.29	2.2	12.0	C.S.I.R.	36-43	330	No	No	188
	AE 9426N	8.86	2,218	650	394	1.65	5.63	2.5	13.0	C.S.I.R.	36-43	330	No	No	196
	AE 9435N	12.04	2,968	870	483	1.80	6.15	2.3	13.0	C.S.R.	36-43	330	8	450	212
	AE 9440N	14.14	3,583	1,050	583	1.80	6.15	2.7	13.0	C.S.R.	36-43	330	12	440	212
	AE 9445N	16.08	4,026	1,180	715	1.65	5.63	3.3	16.0	C.S.R.	36-43	330	15	440	212
	AE 9450N	18.00	4,640	1,360	777	1.75	5.97	3.9	21.0	C.S.R.	36-43	330	15	440	217

**115V / 60Hz / 1Ph.**

LBP	WJ 2450N-1	30.50	4,790	1,404	1,030	1.36	4.65	12.5	123.0	C.S.R.	243-292	250	40	440	264
MBP/CBP	AE 9422N-1	7.57	2,218	650	410	1.59	5.41	6.3	30.0	C.S.I.R.	108-130	250	No	No	188
	AE 9426N-1	8.86	2,678	785	523	1.50	5.12	4.8	32.0	C.S.R.	108-130	250	20	440	196
	AE 9440N-1	14.14	4,265	1,250	740	1.69	5.76	6.6	40.0	C.S.R.	130-156	330	25	440	217

**208-230V / 60Hz / 1Ph.**

LBP	WJ 2450N-2	30.50	4,800	1,407	1,080	1.30	4.44	5.3	47.0	C.S.R.	145-174	330	30	440	264
MBP/CBP	AE 9422N-2	7.57	2,218	650	410	1.59	5.41	2.6	16.0	C.S.I.R.	43-52	330	No	No	188
	AE 9426N-2	8.86	2,730	800	490	1.63	5.57	3.1	17.0	C.S.I.R.	43-52	330	No	No	196
	AE 9440N-2	14.14	4,400	1,290	735	1.75	5.99	3.3	17.0	C.S.R.	43-52	330	15	440	212

**220V / 50Hz / 1Ph.**

MBP/CBP	AZ A0413N-6	4.00	1,160	340	194	1.75	5.98	1.5	18.0	R.S.I.R.	No	No	No	No	178
---------	-------------	------	-------	-----	-----	------	------	-----	------	----------	----	----	----	----	-----

**220V / 60Hz / 1Ph.**

MBP/CBP	AZ A0413N-6	4.00	1,365	400	229	1.75	5.96	1.5	18.0	R.S.I.R.	No	No	No	No	178
---------	-------------	------	-------	-----	-----	------	------	-----	------	----------	----	----	----	----	-----

App.	Model	Disp. (cc)	Cooling Capacity		Input (W)	COP (W/W)	EER (BTU/W-Hr)	RLA (A)	LRA (A)	Motor Type	Start CAP		Run CAP		Dim. "A"
			(BTU/Hr)	(W)							MFD	VAC	MFD	VAC	
<b>R404A/R507</b>											<b>220-240V / 50Hz / 1Ph.</b>				
LBP	AZ A2360Z	3.60	540	158	150	1.06	3.60	1.0	6.2	C.S.I.R	36-43	330	No	No	172
	AZ A2370Z	4.00	648	190	172	1.10	3.77	1.2	7.0	C.S.I.R	36-43	330	No	No	172
	AZ A2410Z	5.59	955	280	233	1.20	4.10	1.4	8.0	C.S.I.R	43-52	330	No	No	178
	AE 2410ZK	5.59	920	270	239	1.13	3.85	1.5	9.2	C.S.I.R.	36-43	330	No	No	189
		5.59	970	284	213	1.33	4.55	1.0	11.2	C.S.R.	36-43	330	5	450	189
	AE 2413ZK	6.91	1,110	325	284	1.14	3.90	2.0	11.1	C.S.I.R.	36-43	330	No	No	189
		8.86	1,400	410	352	1.16	3.97	2.3	13.2	C.S.I.R.	36-43	330	No	No	189
	AE 2416ZK	8.10	1,400	410	303	1.35	4.62	1.4	12.0	C.S.R.	36-43	330	8	450	189
		12.04	1,638	480	356	1.35	4.60	1.8	10.7	C.S.R.	36-43	330	8	450	203
	AE 2425ZK	14.14	2,092	613	488	1.26	4.29	2.7	16.3	C.S.R.	36-43	330	8	450	216
	AE 2428ZK	16.08	2,388	700	560	1.25	4.27	2.9	15.7	C.S.R.	43-52	330	8	450	216
	AE 2432ZK	18.00	2,640	774	660	1.17	4.00	3.3	21.0	C.S.R.	36-43	330	15	440	214
	CA 2432Z	18.00	2,641	774	624	1.24	4.23	3.2	21.0	C.S.R.	43-52	330	15	440	215
	CA 2435Z	20.00	3,155	925	740	1.25	4.26	4.2	21.0	C.S.R.	43-52	330	15	440	215
	CA 2440Z	22.30	3,480	1,020	864	1.18	4.03	4.5	23.0	C.S.R.	108-130	330	20	440	215
	WJ 2430ZK	19.80	2,400	703	550	1.28	4.36	2.6	30.0	C.S.R.	108-130	330	20	440	264
	WJ 2435ZK	21.50	2,900	850	637	1.33	4.55	2.7	30.0	C.S.R.	108-130	330	20	440	264
	WJ 2440ZK	24.20	3,300	967	731	1.32	4.51	3.3	30.0	C.S.R.	145-174	330	25	440	264
	WJ 2450ZK	26.75	3,800	1,114	865	1.29	4.39	4.5	34.0	C.S.R.	145-174	330	25	440	264
	WJ 2455ZK	30.50	4,702	1,378	1,050	1.31	4.48	4.9	35.0	C.S.R.	145-174	330	25	440	264
	WJ 2460Z	34.50	5,460	1,600	1,143	1.40	4.78	5.5	35.0	C.S.R.	145-174	330	30	425	264
	AW 2450ZK	37.50	4,245	1,244	929	1.34	4.57	4.4	32.0	C.S.R.	108-130	330	15	440	289
	AW 2462ZK	39.60	5,203	1,525	1,116	1.37	4.66	5.1	32.0	C.S.R.	108-130	330	20	440	289
	AW 2464ZK	43.10	5,390	1,580	1,280	1.23	4.21	6.9	43.0	C.S.R.	130-156	330	30	440	289
AW 2495ZK	53.50	7,923	2,322	1,613	1.44	4.91	8.0	56.0	C.S.R.	145-174	330	25	440	324	
MBP/CBP	AE 9420Z	6.92	1,798	527	372	1.42	4.83	1.8	19.0	C.S.I.R.	36-43	330	8	450	196
	AE 9426Z	7.57	2,150	630	450	1.40	4.78	2.8	19.0	C.S.I.R.	36-43	330	No	No	204
	BA 7430Z	8.86	2,580	756	495	1.53	5.21	2.5	17.0	C.S.R.	43-52	330	8	440	205
	BA 7440Z	12.04	3,300	967	616	1.57	5.36	3.0	18.0	C.S.R.	36-43	330	15	440	215
	BA 7443Z	14.14	3,900	1,143	770	1.48	5.06	3.7	18.6	C.S.R.	36-43	330	20	440	215
	BA 7452Z	16.08	4,500	1,320	895	1.47	5.03	4.6	25.0	C.S.R.	43-52	330	15	440	215
	BA 7459Z	18.00	4,947	1,450	1,030	1.41	4.80	5.0	25.1	C.S.R.	43-52	330	20	440	215
	BA 9440Z	12.04	3,300	967	616	1.57	5.36	3.0	18.0	C.S.R.	36-43	330	15	440	215
	CA 7459Z	18.00	4,950	1,450	966	1.50	5.13	4.6	21.0	C.S.R.	43-52	330	15	440	215
	AW 7512Z	37.50	9,900	2,902	1,687	1.72	5.87	8.4	41.8	C.S.R.	130-156	330	30	440	289
	AW 7514Z	43.10	12,500	3,664	2,034	1.80	6.15	10.0	48.0	C.S.R.	130-156	330	40	440	289
	MBP/HBP	WJ 9470Z	21.50	6,176	1,810	1,050	1.72	5.88	4.9	23.2	C.S.R.	88-106	330	20	440
21.50			10,850	3,180	1,358	2.34	7.99	6.4	23.2	C.S.R.	88-106	330	20	440	264
WJ 9485Z		24.20	7,438	2,180	1,260	1.73	5.90	6.2	31.0	C.S.R.	88-106	330	25	450	264
		24.20	12,930	3,790	1,630	2.33	7.93	7.8	31.0	C.S.R.	88-106	330	25	450	264
WJ 9490Z		26.70	8,000	2,345	1,400	1.68	5.72	7.0	33.0	C.S.R.	108-130	330	20	440	264
		26.70	13,600	3,986	1,833	2.17	7.42	9.0	33.0	C.S.R.	108-130	330	20	440	264
WJ 9510Z		30.50	9,200	2,696	1,690	1.60	5.45	9.0	47.0	C.S.R.	108-130	330	25	425	264
		30.50	16,000	4,690	2,130	2.20	7.51	11.0	47.0	C.S.R.	108-130	330	25	425	264
WJ 9513Z		34.50	10,772	3,157	1,955	1.61	5.51	9.7	53.0	C.S.R.	108-130	330	30	425	264
		34.50	18,200	5,334	2,465	2.16	7.38	12.0	53.0	C.S.R.	108-130	330	30	425	264
AW 9516Z		53.50	15,000	4,396	2,585	1.70	5.80	13.0	70.0	C.S.R.	161-193	330	40	440	324
		53.50	26,700	7,825	3,227	2.42	8.27	15.7	70.0	C.S.R.	161-193	330	40	440	324
HBP	AE 4430Z	5.68	2,760	810	400	2.03	6.90	2.3	10.0	C.S.I.R.	36-43	330	No	No	183
	AE 4435Z	6.92	3,071	900	492	1.83	6.24	2.4	19.0	C.S.R.	36-43	330	8	450	196
	AE 4440Z	7.57	3,500	1,026	590	1.74	5.93	3.8	19.0	C.S.I.R.	36-43	330	No	No	204

<b>115V / 60Hz / 1Ph.</b>																
LBP	AE 2410Z-1	5.99	1,024	300	285	1.05	3.59	4.0	24.0	C.S.I.R.	108-130	250	No	No	188	
	AE 2413Z-1	6.91	1,300	381	375	1.02	3.47	5.7	31.0	C.S.I.R.	108-130	250	No	No	188	
	AE 2420Z-1	12.05	1,830	536	505	1.06	3.62	6.2	45.0	C.S.R.	108-130	330	25	440	216	
	AE 2425Z-1	10.90	2,300	674	586	1.15	3.92	6.4	41.0	C.S.R.	108-130	330	20	440	200	
	CA 2432Z-1	18.00	2,883	845	754	1.12	3.82	7.4	47.0	C.S.R.	88-106	330	30	440	215	
	CA 2435Z-1	20.00	3,395	995	865	1.15	3.92	10.8	40.0	C.S.R.	216-259	250	30	440	215	
	CA 2440Z-1	22.30	3,924	1,150	1,000	1.15	3.92	11.0	51.0	C.S.R.	243-292	250	35	440	215	
	WJ 2435Z-1	21.50	2,900	850	747	1.14	3.88	10.0	71.0	C.S.R.	189-227	250	20	425	264	
	WJ 2450Z-1	26.75	4,330	1,270	1,035	1.23	4.18	9.6	97.0	C.S.R.	243-292	250	40	440	264	
	WJ 2455Z-1	30.50	5,400	1,583	1,275	1.24	4.24	13.1	123.0	C.S.R.	243-292	250	40	440	264	
	MBP	BA 7440Z-1	12.04	3,780	1,108	830	1.34	4.56	8.7	45.0	C.S.R.	189-227	250	25	440	215
	HBP	AE 4440Z-1	7.57	4,497	1,318	690	1.91	6.52	6.5	32.0	C.S.R.	108-130	250	20	440	204

<b>208-230V / 60Hz / 1Ph.</b>															
LBP	AE 2410ZK-2	6.00	1,153	338	278	1.22	4.15	1.9	13.6	C.S.I.R.	36-43	330	No	No	189
		6.00	1,153	338	262	1.29	4.40	1.3	12.4	C.S.R.	36-43	330	4	440	189
	AE 2413ZK-2	6.91	1,307	383	323	1.19	4.05	2.0	12.0	C.S.I.R.	36-43	330	No	No	189
		6.91	1,330	390	300	1.30	4.44	1.5	12.2	C.S.R.	36-43	330	4	440	189
	AE 2416ZK-2	8.10	1,580	463	348	1.33	4.54	1.7	15.5	C.S.R.	36-43	330	5	440	189
	AE 2420ZK-2	12.04	1,962	575	475	1.21	4.13	2.2	16.9	C.S.R.	36-43	330	10	440	216
	AE 2425ZK-2	14.14	2,286	670	546	1.23	4.19	2.6	27.1	C.S.R.	43-52	330	12	440	216
	AE 2428ZK-2	16.08	2,730	800	656	1.22	4.16	3.2	20.3	C.S.R.	36-43	330	12	440	216
	CA 2432Z-2	18.00	2,934	860	747	1.15	3.93	3.4	22.0	C.S.R.	43-52	330	20	440	215
	CA 2435Z-2	20.00	3,395	995	917	1.09	3.70	4.1	28.0	C.S.R.	88-106	330	20	440	215
	WJ 2440Z-2	24.20	3,907	1,145	970	1.18	4.03	5.2	43.0	C.S.R.	108-130	330	20	425	264
	WJ 2450Z-2	26.75	4,400	1,290	1,080	1.19	4.08	5.0	43.5	C.S.R.	130-156	330	25	440	264
	WJ 2455Z-2	30.50	5,425	1,590	1,275	1.25	4.26	5.9	47.3	C.S.R.	145-174	330	30	450	2

App.	Model	Disp. (cc)	Cooling Capacity		Input (W)	COP (W/W)	EER (BTU/W-Hr)	RLA (A)	LRA (A)	Motor Type	Start CAP.		Run CAP.		Dim. "A"
			(BTU/Hr)	(W)							MFD	VAC	MFD	VAC	
MBP/CBP	BA 7440Z-2	12.04	3,850	1,128	732	1.54	5.26	3.7	29.0	C.S.R.	36-43	330	12	440	215
	BA 7443Z-2	14.14	4,290	1,257	880	1.43	4.87	4.4	27.3	C.S.R.	43-52	330	15	440	215
	BA 7452Z-2	16.08	5,170	1,515	1,140	1.33	4.53	6.0	33.0	C.S.R.	88-106	330	15	440	215
	BA 7459Z-2	18.00	5,950	1,744	1,295	1.35	4.60	6.2	33.0	C.S.R.	88-106	330	20	440	215
	CA 9465Z-2	20.00	6,466	1,895	1,466	1.29	4.41	8.7	40.0	C.S.R.	43-52	330	20	440	215
	WJ 9470Z-2	21.55	7,329	2,148	1,250	1.72	5.86	5.6	30.0	C.S.R.	88-106	330	25	425	264
	AW 7512Z-2	37.50	12,198	3,575	2,136	1.67	5.71	11.9	58.0	C.S.R.	161-193	330	25	440	289
	AW 7514Z-2	43.10	12,502	3,664	2,165	1.69	5.77	9.9	62.0	C.S.R.	161-193	330	45	440	324
	AW 7516Z-2	53.50	15,960	4,678	2,520	1.86	6.33	11.5	64.5	C.S.R.	161-193	330	40	440	324
AW 7524Z-2	71.00	21,700	6,360	3,855	1.65	5.63	19.7	110.0	C.S.R.	243-292	250	45	440	324	
MBP/HBP	AW 9516Z-2	53.50	15,960	4,678	2,520	1.86	6.33	11.5	65.0	C.S.R.	161-193	330	40	425	324
		53.50	29,060	8,517	3,285	2.59	8.85	14.8	65.0	C.S.R.	161-193	330	40	425	324
HBP	AE 4430Z-2	5.68	3,276	960	475	2.02	6.90	2.6	12.0	C.S.I.R.	36-43	330	No	No	189

100V / 50Hz / 1Ph.

LBP	AE 2410ZK-3	6.00	970	284	280	1.01	3.46	5.0	27.0	C.S.I.R.	108-130	250	No	No	189
	AE 2413ZK-3	6.91	1,110	325	358	0.91	3.10	6.1	27.0	C.S.I.R.	108-130	250	No	No	189

100V / 60Hz / 1Ph.

LBP	AE 2410ZK-3	6.00	1,136	333	295	1.13	3.85	4.2	23.0	C.S.I.R.	108-130	250	No	No	189
	AE 2413ZK-3	6.91	1,314	385	360	1.07	3.65	5.0	23.6	C.S.I.R.	108-130	250	No	No	189

110V / 60Hz / 1Ph.

LBP	CA 2435Z-4	20.00	3,685	1,080	980	1.10	3.76	10.5	45.0	C.S.R.	130-156	330	35	440	215
-----	------------	-------	-------	-------	-----	------	------	------	------	--------	---------	-----	----	-----	-----

220-240V / 50Hz / 1Ph.

LBP	AW 2495ZK-6	53.50	7,923	2,322	1,613	1.44	4.91	7.9	72.0	C.S.R.	161-193	330	25	450	324
-----	-------------	-------	-------	-------	-------	------	------	-----	------	--------	---------	-----	----	-----	-----

208-230V / 60Hz / 1Ph.

LBP	AW 2495ZK-6	53.50	8,360	2,450	1,800	1.36	4.64	8.8	74.0	C.S.R.	161-193	330	25	450	324
-----	-------------	-------	-------	-------	-------	------	------	-----	------	--------	---------	-----	----	-----	-----

380-420V / 50Hz / 3Ph.

LBP	AW 2450Z-9	37.50	4,504	1,320	925	1.43	4.88	1.9	24.0	3 PHASE	No	No	No	No	324
	AW 2464Z-9	43.10	5,700	1,670	1,130	1.48	5.04	2.3	24.0	3 PHASE	No	No	No	No	324
	AW 2495Z-9	53.50	8,165	2,393	1,560	1.53	5.23	3.1	30.5	3 PHASE	No	No	No	No	324
	AW 2510Z-9	59.00	9,200	2,697	1,693	1.59	5.43	3.2	24.0	3 PHASE	No	No	No	No	324
MBP	AW 7512Z-9	37.50	9,800	2,872	1,525	1.88	6.43	2.7	22.0	3 PHASE	No	No	No	No	324
	AW 7514Z-9	43.10	11,950	3,502	1,850	1.89	6.46	3.1	24.0	3 PHASE	No	No	No	No	324
HBP	AW 7516Z-9	53.50	13,778	4,038	2,353	1.72	5.86	3.8	24.0	3 PHASE	No	No	No	No	324
	AW 5524Z-9	39.60	19,900	5,833	1,927	3.03	10.33	3.1	24.0	3 PHASE	No	No	No	No	324
	AW 5526Z-9	43.10	22,042	6,460	2,140	3.02	10.30	3.5	24.0	3 PHASE	No	No	No	No	324
	AW 5534Z-9	53.50	26,850	7,870	2,750	2.86	9.76	4.8	30.5	3 PHASE	No	No	No	No	324
	AW 5538Z-9	59.00	31,281	9,168	3,235	2.83	9.67	7.1	50.0	3 PHASE	No	No	No	No	324
	AW 5540Z-9	63.00	33,165	9,720	3,470	2.80	9.56	7.3	50.0	3 PHASE	No	No	No	No	324
	AW 5545Z-9	71.00	38,436	11,265	4,085	2.76	9.71	8.0	50.0	3 PHASE	No	No	No	No	324

460V / 60Hz / 3Ph.

LBP	AW 2450Z-9	37.50	4,880	1,430	1,025	1.40	4.76	1.8	24.0	3 PHASE	No	No	No	No	324
	AW 2464Z-9	43.10	6,500	1,905	1,310	1.45	4.96	2.4	24.0	3 PHASE	No	No	No	No	324
	AW 2495Z-9	53.50	8,680	2,544	1,725	1.47	5.03	3.1	30.5	3 PHASE	No	No	No	No	324
	AW 2510Z-9	59.00	9,890	2,899	1,867	1.55	5.30	3.1	27.0	3 PHASE	No	No	No	No	324
MBP	AW 7512Z-9	37.50	11,760	3,447	1,810	1.90	6.50	2.6	25.0	3 PHASE	No	No	No	No	324
	AW 7514Z-9	43.10	14,500	4,250	2,228	1.91	6.51	3.1	24.0	3 PHASE	No	No	No	No	324
HBP	AW 7516Z-9	53.50	16,160	4,736	2,778	1.70	5.82	3.7	24.0	3 PHASE	No	No	No	No	324
	AW 5524Z-9	39.60	23,890	7,002	2,304	3.04	10.37	3.1	24.0	3 PHASE	No	No	No	No	324
	AW 5526Z-9	43.10	26,104	7,650	2,510	3.05	10.40	3.4	24.0	3 PHASE	No	No	No	No	324
	AW 5534Z-9	53.50	31,900	9,350	3,250	2.88	9.82	4.7	30.5	3 PHASE	No	No	No	No	324
	AW 5538Z-9	59.00	37,450	10,976	3,840	2.86	9.75	7.2	50.0	3 PHASE	No	No	No	No	324
	AW 5540Z-9	63.00	39,357	11,535	4,225	2.73	9.32	7.6	50.0	3 PHASE	No	No	No	No	324
	AW 5545Z-9	71.00	45,294	13,275	4,890	2.71	9.26	8.1	50.0	3 PHASE	No	No	No	No	324

200-220V / 50Hz / 3Ph.

LBP	AW 2510ZXT	71.00	8,450	2,477	2,252	1.10	3.75	8.9	65.0	3 PHASE	No	No	No	No	324
MBP/CBP	WJ 9485ZXT	24.20	7,141	2,093	1,290	1.62	5.54	5.9	40.0	3 PHASE	No	No	No	No	264
	WJ 9490ZXT	26.70	14,400	4,220	1,750	2.23	8.23	7.1	40.0	3 PHASE	No	No	No	No	264
	WJ 9510ZXT	30.50	9,588	2,810	1,660	1.69	5.78	6.8	40.0	3 PHASE	No	No	No	No	264
	AW 7512ZXT	37.50	9,004	2,640	1,580	1.67	5.70	5.2	53.0	3 PHASE	No	No	No	No	324
	AW 7514ZXT	43.10	10,650	3,120	1,850	1.69	5.76	5.7	52.0	3 PHASE	No	No	No	No	324
	AW 7516ZXT	53.50	13,778	4,038	2,516	1.60	5.48	8.7	64.0	3 PHASE	No	No	No	No	324
	AW 7524ZXT	71.00	18,000	5,276	2,930	1.80	6.14	10.2	65.0	3 PHASE	No	No	No	No	324

200-230V / 60Hz / 3Ph.

LBP	AW 2510ZXT	71.00	9,700	2,843	2,585	1.10	3.75	8.0	65.0	3 PHASE	No	No	No	No	324
MBP/CBP	WJ 9485ZXT	24.20	8,400	2,462	1,450	1.70	5.79	5.0	40.0	3 PHASE	No	No	No	No	264
	WJ 9490ZXT	26.70	16,400	4,982	2,100	2.37	8.09	6.0	40.0	3 PHASE	No	No	No	No	264
	WJ 9510ZXT	30.50	11,198	3,282	1,900	1.73	5.89	5.8	40.0	3 PHASE	No	No	No	No	264
	AW 7512ZXT	37.50	10,652	3,122	1,880	1.66	5.67	5.3	48.0	3 PHASE	No	No	No	No	324
	AW 7514ZXT	43.10	12,516	3,668	2,200	1.67	5.69	6.1	46.0	3 PHASE	No	No	No	No	324
	AW 7516ZXT	53.50	16,160	4,736	2,928	1.62	5.52	8.6	60.0	3 PHASE	No	No	No	No	324
	AW 7524ZXT	71.00	21,400	6,272	3,564	1.76	6.00	10.3	65.0	3 PHASE	No	No	No	No	324

380V / 60Hz / 3Ph.

LBP	AW 2450ZXI	37.50	4,600	1,348	1,000	1.35	4.60	1.9	24.0	3 PHASE	No	No	No	No	324
	AW 2464ZXI	43.10	5,732	1,680	1,250	1.34	4.59	2.1	24.0	3 PHASE	No	No	No	No	324
	AW 2495ZXI	53.50	8,460	2,480	1,740	1.42	4.84	31.1	30.5	3 PHASE	No	No	No	No	324
	AW 2510ZXI	59.00	9,960	2,920	2,000	1.46	4.98	3.3	27.0	3 PHASE	No	No	No	No	324

380-420V / 50Hz / 3Ph.

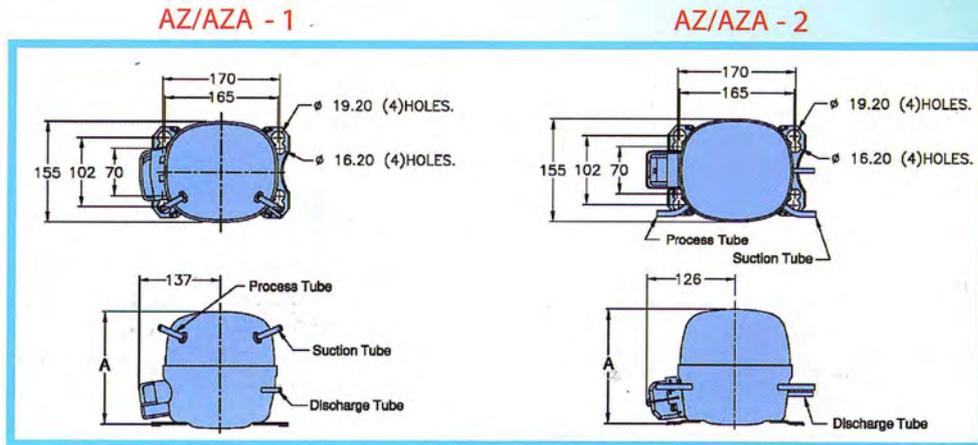
LBP	AW 2512ZXT	71.00	11,200	3,282	2,550	1.29	4.39	4.6	40.0	3 PHASE	No	No	No	No	324
HBP	AW 4524ZXT	43.10	22,042	6,460	2,140	3.02	10.30	3.5	24.0	3 PHASE	No	No	No	No	324

440-460V / 60Hz / 3Ph.

LBP	AW 2512ZXT	71.00	12,700	3,722	2,970	1.25	4.28	4.6	40.0	3 PHASE	No	No	No	No	324
HBP	AW 4524ZXT	43.10	26,104	7,650	2,510	3.05	10.40	3.4	24.0	3 PHASE	No	No	No	No	324

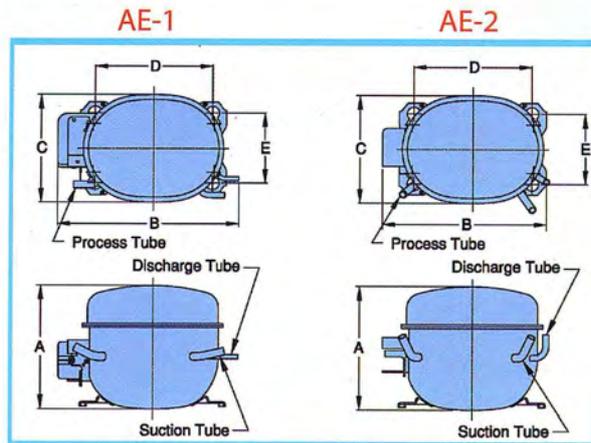
**AZ/AZA Compressor**

General Dimensions (mm.)



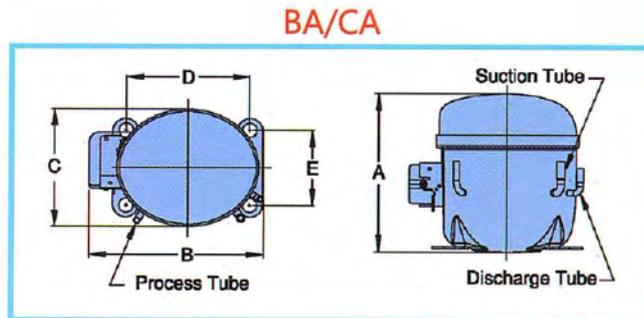
**AE Compressor**

General Dimensions (mm.)

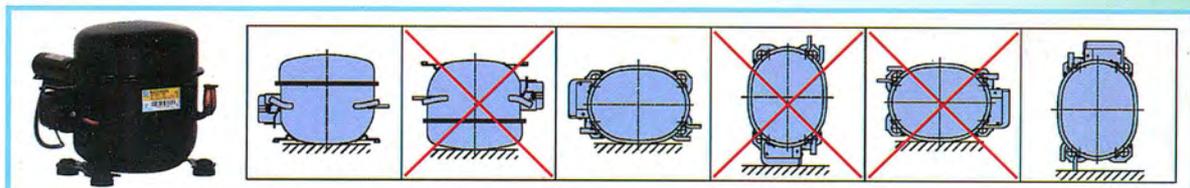
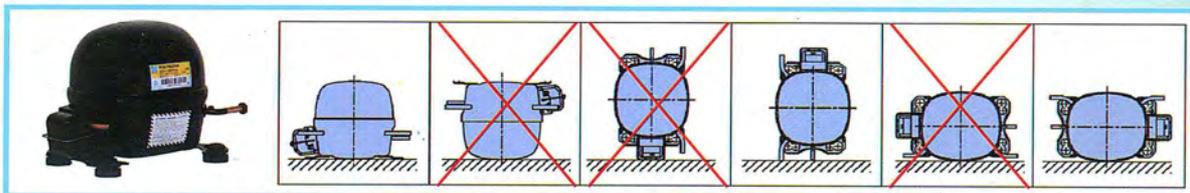


**BA/CA Compressor**

General Dimensions (mm.)



**Allowable Positions For Shipping After Compressor Assembly**



App.	Model	Disp. (cc)	Cooling Capacity		Input (W)	COP (W/W)	EER. (BTU/W-Hr)	RLA (A)	LRA (A)	Motor Type	Start CAP.		Run CAP.		Dim. "A"
			(BTU/Hr)	(W)							MFD	VAC	MFD	VAC	
<b>R22</b>			<b>220-240V / 50Hz / 1Ph.</b>												
LBP	AE 2412E	8.86	1,047	307	285	1.08	3.68	1.5	12.0	C.S.R.	36-43	330	8	450	204
	AE 2416E	12.04	1,340	393	345	1.14	3.88	1.7	12.0	C.S.R.	36-43	330	8	450	204
	AE 2418E	14.14	1,604	470	435	1.08	3.69	2.5	17.0	C.S.R.	36-43	330	8	450	212
	AE 2420E	16.08	1,774	520	490	1.06	3.62	2.6	16.0	C.S.R.	36-43	330	8	450	212
	AE 2426E	18.00	2,184	640	600	1.07	3.64	3.1	21.0	C.S.R.	36-43	330	15	440	216
	CA 2428E	20.00	2,490	730	690	1.06	3.61	3.9	21.0	C.S.R.	43-52	330	15	440	215
	WJ 2435E	24.20	2,930	859	690	1.24	4.25	3.3	30.0	C.S.R.	145-174	330	25	440	264
	WJ 2440E	26.70	3,272	959	780	1.23	4.20	3.8	35.0	C.S.R.	145-174	330	25	425	264
	WJ 2450E	30.50	4,101	1,202	950	1.27	4.32	5.0	35.0	C.S.R.	145-174	330	25	440	264
MBP/CBP	AE 6412EK	4.50	990	290	240	1.21	4.12	1.4	11.4	R.S.I.R.	No	No	No	No	189
	AE 7415EK	5.48	1,262	370	310	1.19	4.07	2.1	11.5	C.S.I.R.	36-43	250	No	No	189
	AE 7422EK	7.57	1,877	550	420	1.31	4.47	2.4	11.5	C.S.I.R.	36-43	330	No	No	189
	AE 7426EK	8.86	2,184	640	480	1.33	4.55	2.7	12.8	C.S.I.R.	36-43	330	No	No	201
	AE 7435EK	12.04	2,968	870	550	1.58	5.40	2.5	12.8	C.S.R.	36-43	330	8	450	216
	AE 7440EK	14.14	3,446	1,010	660	1.53	5.22	3.0	12.8	C.S.R.	36-43	330	12	440	216
	AE 7445EK	16.08	3,798	1,113	800	1.39	4.74	3.7	16.0	C.S.R.	36-43	330	15	440	216
	AE 9422EK	7.57	2,030	595	417	1.43	4.87	2.3	14.8	C.S.I.R.	36-43	330	No	No	203
	WJ 9460EK	19.80	5,084	1,490	855	1.74	5.95	4.6	28.0	C.S.R.	88-106	330	15	440	264
	WJ 9470EK	21.55	5,800	1,700	958	1.77	6.05	4.6	30.0	C.S.R.	88-106	330	20	440	264
	WJ 9480EK	24.20	6,483	1,900	1,100	1.73	5.89	5.3	28.0	C.S.R.	88-106	330	25	450	264
	WJ 9485EK	26.70	7,300	2,140	1,246	1.72	5.86	5.7	38.0	C.S.R.	145-174	330	25	425	264
	WJ 9510EK	30.50	8,394	2,460	1,425	1.73	5.89	6.5	40.0	C.S.R.	145-174	330	25	440	264
WJ 9513E	34.50	10,342	3,031	1,638	1.85	6.31	8.5	53.0	C.S.R.	108-130	330	30	440	264	
HBP	AE 3422EK	4.50	1,887	553	320	1.73	5.88	2.2	9.4	R.S.I.R.	No	No	No	No	189
	AE 4422EK	4.50	1,924	564	357	1.58	5.39	2.2	9.4	C.S.I.R.	36-43	330	No	No	189
	AE 4430EK	6.92	2,907	852	467	1.82	6.22	2.3	14.9	C.S.R.	36-43	330	8	450	202
	AE 4440EK	7.57	3,412	1,000	453	2.21	7.53	2.2	13.0	C.S.R.	36-43	330	8	450	202
	AE 4448EK	8.86	4,000	1,172	560	2.09	7.14	2.7	12.8	C.S.R.	36-43	330	8	450	202
	AE 4474EK	14.14	6,142	1,800	840	2.14	7.31	4.0	19.2	C.S.R.	36-43	330	15	440	212
	WJ 4518EK	30.50	15,098	4,425	1,780	2.49	8.48	8.6	43.0	C.S.R.	88-106	330	25	440	264
	AW 4515EK	30.50	13,938	4,085	1,390	2.94	10.03	6.5	33.0	C.S.R.	108-130	330	25	440	289
	AW 4517EK	32.70	15,150	4,440	1,536	2.89	9.86	7.6	50.5	C.S.R.	108-130	330	30	440	289
	AW 4519EK	35.60	16,500	4,835	1,688	2.86	9.77	8.3	50.5	C.S.R.	108-130	330	25	440	289
	AW 4520EK	37.50	17,742	5,200	1,738	2.99	10.21	8.0	54.1	C.S.R.	108-130	330	35	440	324
	AW 4522EK	39.60	19,336	5,667	1,895	2.99	10.21	8.7	54.1	C.S.R.	108-130	330	35	440	324
	AW 4524EK	43.10	20,950	6,140	2,090	2.94	10.03	9.6	51.3	C.S.R.	108-130	330	45	425	324
	AW 4528EK	48.40	24,252	7,108	2,415	2.94	10.05	11.8	66.7	C.S.R.	130-165	330	35	440	324
	AW 4530EK	50.60	25,000	7,327	2,498	2.93	10.01	12.0	73.0	C.S.R.	88-106	330	50	450	324
	AW 4532EK	53.50	26,852	7,870	2,678	2.94	10.03	12.9	73.0	C.S.R.	130-156	330	50	440	324
HBP/AC	CA 5510E	20.00	8,500	2,490	1,310	1.90	6.49	6.9	28.0	P.S.C.	No	No	30	440	215
	WJ 5510EK	19.80	9,178	2,690	1,094	2.46	8.39	5.5	28.0	P.S.C.	No	No	15	440	264
	WJ 5513EK	21.50	10,800	3,165	1,218	2.60	8.87	5.6	30.0	P.S.C.	No	No	20	440	264
	WJ 5515EK	24.20	12,000	3,517	1,360	2.59	8.82	6.4	28.0	P.S.C.	No	No	25	440	264
	WJ 5516EK	26.75	13,400	3,927	1,550	2.53	8.64	6.9	38.0	P.S.C.	No	No	25	440	264
	WJ 5518EK	30.50	15,098	4,425	1,780	2.49	8.48	8.6	43.0	P.S.C.	No	No	25	440	264
	AE 5448EK	8.86	4,000	1,172	560	2.09	7.14	2.7	12.8	C.S.R.	36-43	330	8	450	202
	AE 5462E	14.14	6,142	1,800	840	2.14	7.31	4.0	18.0	P.S.C.	No	No	15	440	216
	AW 5513EK	27.80	12,068	3,537	1,270	2.79	9.50	6.4	32.3	P.S.C.	No	No	20	440	289
	AW 5515EK	30.50	13,938	4,085	1,390	2.94	10.03	6.5	33.0	P.S.C.	No	No	25	440	289
	AW 5517EK	32.70	15,013	4,400	1,500	2.93	10.01	7.0	35.0	P.S.C.	No	No	30	440	289
	AW 5519EK	35.60	16,497	4,835	1,688	2.86	9.77	8.3	50.5	P.S.C.	No	No	30	440	289
	AW 5520EK	37.50	17,742	5,200	1,738	2.99	10.21	8.0	54.1	P.S.C.	No	No	35	440	324
	AW 5522EK	39.60	18,600	5,450	1,760	3.10	10.57	8.4	50.0	P.S.C.	No	No	35	440	324
	AW 5524EK	43.10	20,800	6,096	1,950	3.13	10.67	9.3	56.0	P.S.C.	No	No	45	440	324
	AW 5528EK	48.40	24,566	7,200	2,270	3.17	10.82	11.8	66.3	P.S.C.	No	No	50	440	324
	AW 5530EK	50.60	25,484	7,469	2,385	3.13	10.69	11.4	66.0	P.S.C.	No	No	50	440	324
	AW 5532EK	53.50	27,194	7,970	2,503	3.18	10.87	12.8	73.0	P.S.C.	No	No	50	440	324
	AW 5535EK	59.00	30,012	8,796	2,903	3.03	10.34	14.7	85.0	P.S.C.	No	No	60	440	324
	AW 5538E	63.00	31,500	9,232	3,100	2.98	10.16	15.0	85.0	P.S.C.	No	No	60	440	324
AW 5542E	70.95	35,900	10,522	3,550	2.96	10.11	17.0	85.0	P.S.C.	No	No	60	440	324	
			<b>115V / 60Hz / 1Ph.</b>												
MBP/CBP	AE 7422EK-1	7.57	2,276	667	520	1.29	4.38	6.4	29.0	C.S.I.R.	108-130	250	No	No	189
	AE 9430EK-1	8.86	2,780	815	565	1.44	4.92	5.4	32.0	C.S.R.	108-130	250	20	440	202
HBP	AE 4440EK-1	7.57	4,146	1,215	615	1.98	6.74	5.9	32.0	C.S.R.	108-130	250	20	440	202

App.	Model	Disp. (cc)	Cooling Capacity		Input (W)	COP (W/W)	EER. (BTU/W-Hr)	RLA (A)	LRA (A)	Motor Type	Start CAP.		Run CAP.		Dim. "A"
			(BTU/Hr)	(W)							MFD	VAC	MFD	VAC	

208-230V / 60Hz / 1Ph

MBP/CBP	AE 6412E-2	4.50	1,317	386	284	1.36	4.64	1.7	18.3	R.S.I.R.	No	No	No	No	189
	AE 7415EK-2	5.48	1,467	430	360	1.19	4.08	2.4	12.7	C.S.I.R.	36-43	330	No	No	189
	AE 7422EK-2	7.57	2,238	656	490	1.34	4.57	2.9	15.6	C.S.I.R.	36-43	330	No	No	189
	AE 7426EK-2	8.86	2,678	785	577	1.36	4.64	3.3	16.4	C.S.I.R.	36-43	330	No	No	201
	AE 7435EK-2	12.04	3,360	985	690	1.43	4.88	3.3	16.1	C.S.R.	36-43	330	8	450	216
	AE 7440EK-2	14.14	4,002	1,173	793	1.48	5.05	3.6	17.1	C.S.R.	36-43	330	15	440	216
	AE 7445E-2	16.08	4,436	1,300	987	1.32	4.49	4.3	21.9	C.S.R.	36-43	330	25	440	216
WJ 9460E-2	19.80	6,300	1,846	1,050	1.76	6.00	4.8	29.0	C.S.R.	88-106	330	20	440	264	
HBP	AE 4430EK-2	6.92	3,207	940	585	1.61	5.48	2.9	15.9	C.S.R.	36-43	330	8	450	202
	AE 4440EK-2	7.57	4,094	1,200	568	2.11	7.21	2.8	16.7	C.S.R.	36-43	330	8	450	202
	AE 4448EK-2	8.86	4,606	1,350	725	1.86	6.35	3.5	15.8	C.S.R.	36-43	330	8	450	202
	AE 4474EK-2	14.14	7,387	2,165	1,070	2.02	6.90	5.1	21.2	C.S.R.	36-43	330	15	440	216
	AW 4528EK-2	48.40	27,800	8,148	2,780	2.93	10.00	12.9	73.0	C.S.R.	130-156	330	35	440	324
	AW 4532EK-2	53.50	31,970	9,370	3,228	2.90	9.90	15.2	89.4	C.S.R.	130-156	330	50	440	324
HBP/AC	AE 5462EK-2	14.14	7,387	2,165	1,070	2.02	6.90	5.1	21.2	P.S.C.	No	No	15	440	214
	WJ 5510EK-2	19.80	11,567	3,390	1,380	2.46	8.38	7.1	37.3	P.S.C.	No	No	15	440	264
	WJ 5513EK-2	21.50	13,000	3,810	1,485	2.57	8.75	6.5	32.0	P.S.C.	No	No	25	440	264
	WJ 5515EK-2	24.20	14,400	4,220	1,717	2.46	8.39	8.1	38.1	P.S.C.	No	No	25	440	264
	WJ 5516EK-2	26.75	16,105	4,720	1,925	2.45	8.37	8.8	43.9	P.S.C.	No	No	25	440	264
	WJ 5518EK-2	30.50	18,698	5,480	2,230	2.46	8.38	10.0	53.0	P.S.C.	No	No	30	440	264
	AW 5513EK-2	27.80	14,750	4,323	1,470	2.94	10.03	6.8	40.0	P.S.C.	No	No	25	440	289
	AW 5515EK-2	30.50	16,616	4,870	1,695	2.87	9.80	8.5	47.0	P.S.C.	No	No	25	440	289
	AW 5517EK-2	32.70	18,544	5,435	1,773	3.07	10.46	8.3	47.0	P.S.C.	No	No	30	440	289
	AW 5519EK-2	35.60	19,643	5,757	2,040	2.82	9.63	9.3	48.0	P.S.C.	No	No	35	440	289
	AW 5520EK-2	37.50	21,000	6,155	1,936	3.18	10.85	9.5	51.8	P.S.C.	No	No	35	440	324
	AW 5522EK-2	39.60	22,600	6,624	2,100	3.15	10.76	10.1	54.0	P.S.C.	No	No	30	440	324
	AW 5524EK-2	43.10	24,703	7,240	2,298	3.15	10.75	12.0	76.0	P.S.C.	No	No	40	440	324
	AW 5528EK-2	48.40	28,000	8,206	2,648	3.10	10.57	12.9	67.0	P.S.C.	No	No	40	440	324
	AW 5530EK-2	50.60	30,708	9,000	2,950	3.05	10.41	14.5	89.4	P.S.C.	No	No	50	440	324
	AW 5532EK-2	53.50	32,585	9,550	3,155	3.03	10.33	15.1	89.4	P.S.C.	No	No	50	440	324
	AW 5535EK-2	59.00	36,167	10,600	3,525	3.01	10.26	16.5	90.0	P.S.C.	No	No	60	440	324
	AW 5538E-2	63.00	37,388	10,958	3,790	2.89	9.87	16.6	85.0	P.S.C.	No	No	60	440	324

110V / 60Hz / 1Ph.

MBP/CBP	AE 6412EK-4	4.50	1,280	375	300	1.25	4.27	3.7	23.0	R.S.I.R.	No	No	No	No	189
	AE 7415EK-4	5.48	1,484	435	408	1.07	3.64	5.1	32.6	C.S.I.R.	108-130	250	No	No	189
	AE 7422EK-4	7.57	2,228	653	502	1.30	4.44	6.1	30.0	C.S.I.R.	108-130	250	No	No	189
		7.57	2,252	660	475	1.39	4.74	5.2	26.2	C.S.R.	108-130	250	10	440	189
	AE 7426EK-4	8.86	2,784	816	550	1.48	5.06	5.3	32.0	C.S.R.	108-130	250	20	440	202
HBP	AE 3422EK-4	4.50	2,200	645	400	1.61	5.50	5.0	30.8	R.S.I.R.	No	No	No	No	189
	AE 4430EK-4	6.92	3,276	960	600	1.60	5.46	5.5	33.0	C.S.R.	108-130	250	20	440	202
	AE 4440EK-4	7.57	4,248	1,245	595	2.09	7.14	6.4	34.0	C.S.R.	108-130	250	15	440	202
	AE 4448EK-4	8.86	5,000	1,465	727	2.02	6.88	7.0	37.0	C.S.R.	108-130	250	20	440	202

220V / 50Hz / 1Ph.

HBP/AC	AW 5515EK-6	30.50	13,940	4,086	1,397	2.92	9.98	6.7	13.2	P.S.C.	No	No	25	440	324
	AW 5520EK-6	37.50	17,810	5,220	1,807	2.89	9.86	9.4	58.5	P.S.C.	No	No	35	440	324
	AW 5522EK-6	39.60	18,718	5,486	1,897	2.89	9.87	9.6	61.0	P.S.C.	No	No	30	440	324
	AW 5528EK-6	48.40	23,816	6,980	2,370	2.95	10.05	11.8	70.0	P.S.C.	No	No	35	440	324
	AW 5530EK-6	50.60	25,420	7,450	2,630	2.83	9.67	14.1	80.0	P.S.C.	No	No	45	440	324

220V / 60Hz / 1Ph

HBP/AC	AW 5515EK-6	30.50	16,207	4,750	1,630	2.91	9.94	7.5	15.8	P.S.C.	No	No	25	440	324
	AW 5520EK-6	37.50	20,404	5,980	2,030	2.95	10.05	9.5	51.8	P.S.C.	No	No	35	440	324
	AW 5522EK-6	39.60	21,700	6,360	2,160	2.94	10.05	10.1	51.8	P.S.C.	No	No	30	440	324
	AW 5528EK-6	48.40	28,140	8,247	2,807	2.94	10.02	12.9	65.0	P.S.C.	No	No	35	440	324
	AW 5530EK-6	50.60	30,060	8,810	3,020	2.92	9.95	13.9	78.0	P.S.C.	No	No	45	440	324

380-420V / 50Hz / 3Ph.

HBP/AC	AW 5522E-9	39.60	17,548	5,143	1,700	3.03	10.32	2.8	24.0	3 PHASE	No	No	No	No	324
	AW 5524E-9	43.10	19,795	5,802	1,918	3.02	10.32	3.3	24.0	3 PHASE	No	No	No	No	324
	AW 5528E-9	48.40	23,203	6,800	2,230	3.05	10.40	3.9	30.5	3 PHASE	No	No	No	No	324
	AW 5530E-9	50.60	25,000	7,327	2,400	3.05	10.42	4.1	30.0	3 PHASE	No	No	No	No	324
	AW 5532E-9	53.50	25,385	7,440	2,520	2.95	10.07	4.4	30.5	3 PHASE	No	No	No	No	324
	AW 5535E-9	59.00	28,500	8,353	3,234	2.58	8.81	5.6	38.0	3 PHASE	No	No	No	No	324
	AW 5538E-9	63.00	30,606	8,970	3,100	2.89	9.87	6.7	50.0	3 PHASE	No	No	No	No	324
	AW 5542E-9	71.00	35,450	10,390	3,625	2.87	9.78	7.3	50.0	3 PHASE	No	No	No	No	324

460V / 60Hz / 3Ph.

HBP/AC	AW 5522E-9	39.60	21,200	6,213	2,020	3.08	10.50	2.8	24.0	3 PHASE	No	No	No	No	324
	AW 5524E-9	43.10	23,572	6,920	2,278	3.04	10.35	3.2	24.0	3 PHASE	No	No	No	No	324
	AW 5528E-9	48.40	28,220	8,270	2,670	3.10	10.57	3.9	30.5	3 PHASE	No	No	No	No	324
	AW 5530E-9	50.60	30,398	8,909	2,900	3.07	10.48	4.1	30.0	3 PHASE	No	No	No	No	324
	AW 5532E-9	53.50	31,000	9,086	3,030	3.00	10.23	4.4	30.5	3 PHASE	No	No	No	No	324
	AW 5535E-9	59.00	34,800	10,200	3,925	2.60	8.87	5.6	38.0	3 PHASE	No	No	No	No	324
	AW 5538E-9	63.00	37,003	10,845	3,770	2.88	9.82	6.8	50.0	3 PHASE	No	No	No	No	324
	AW 5542E-9	71.00	42,700	12,515	4,440	2.82	9.62	7.4	50.0	3 PHASE	No	No	No	No	324

App.	Model	Disp. (cc)	Cooling Capacity		Input (W)	COP (W/W)	EER. (BTU/W-Hr)	RLA (A)	LRA (A)	Motor Type	Start CAP.		Run CAP.		Dis. "A"
			(BTU/Hr)	(W)							MFD	VAC	MFD	VAC	
<b>R407C</b>			<b>220-240V / 50Hz / 1P</b>												
MBP/CBP	AE 7445GK	16.00	3,798	1,113	800	1.39	4.74	4.0	16.0	C.S.R.	36-43	330	15	440	21
	CA 7457G	18.00	4,562	1,337	899	1.49	5.07	4.3	21.1	C.S.R.	36-43	330	15	440	21
	WJ 9460GK	19.80	5,084	1,490	855	1.74	5.95	4.6	28.0	C.S.R.	88-106	330	15	425	26
	WJ 9470GK	21.55	5,800	1,700	958	1.77	6.05	4.6	30.0	C.S.R.	88-106	330	20	425	26
	WJ 9480GK	24.20	6,483	1,900	1,100	1.73	5.89	5.3	28.0	C.S.R.	88-106	330	25	440	26
	WJ 9485GK	26.70	7,302	2,140	1,246	1.72	5.86	5.7	38.0	C.S.R.	145-175	330	25	440	26
	WJ 9510GK	30.50	8,394	2,460	1,425	1.73	5.89	6.5	40.0	C.S.R.	145-174	330	25	450	26
MBP/HBP	AW 4515GK	30.50	6,585	1,930	1,046	1.85	6.30	4.9	33.0	C.S.R.	108-130	330	25	440	28
		30.50	13,938	4,085	1,390	2.94	10.00	6.5	33.0	C.S.R.	108-130	330	25	440	28
	AW 4517GK	32.70	6,995	2,050	1,196	1.71	5.85	6.3	50.5	C.S.R.	108-130	330	30	440	28
		32.70	15,150	4,440	1,536	2.89	9.86	7.6	50.5	C.S.R.	108-130	330	30	440	28
	AW 4519GK	35.60	8,394	2,460	1,320	1.86	6.36	6.2	50.5	C.S.R.	108-130	330	25	440	28
		35.60	16,497	4,835	1,688	2.86	9.77	8.3	50.5	C.S.R.	108-130	330	25	440	28
	AW 4520GK	37.50	9,028	2,643	1,350	1.96	6.69	6.2	54.1	C.S.R.	108-130	330	35	440	32
		37.50	17,742	5,200	1,738	2.99	10.21	8.0	54.1	C.S.R.	108-130	330	35	440	32
	AW 4522GK	39.60	9,770	2,863	1,334	2.15	7.32	6.2	54.0	C.S.R.	108-130	330	35	440	32
		39.60	19,336	5,667	1,895	2.99	10.21	8.7	54.1	C.S.R.	108-130	330	35	440	32
	AW 4524GK	43.10	10,632	3,116	1,685	1.85	6.31	7.8	51.3	C.S.R.	108-130	330	45	440	32
		43.10	20,950	6,140	2,090	2.94	9.90	9.6	51.3	C.S.R.	108-130	330	45	440	32
	AW 4528GK	48.40	12,396	3,634	1,865	1.95	6.65	9.3	66.7	C.S.R.	130-156	330	35	440	32
		48.40	24,252	7,108	2,415	2.94	10.00	11.9	66.7	C.S.R.	130-156	330	35	440	32
	AW 4532GK	53.50	13,820	4,050	2,103	1.93	6.57	10.2	73.0	C.S.R.	130-156	330	50	440	32
		53.50	26,852	7,870	2,678	2.94	10.00	12.9	73.0	C.S.R.	130-156	330	50	440	32
HBP/AC	AE 5462GK	14.14	5,906	1,730	804	2.15	7.35	3.8	18.0	P.S.C.	No	No	15	440	21
	AW 5513GK	30.50	11,533	3,380	1,317	2.57	8.76	6.2	33.0	P.S.C.	No	No	25	440	28
	AW 5515GK	32.70	12,966	3,800	1,483	2.56	8.74	7.4	50.5	P.S.C.	No	No	30	440	28
	AW 5517GK	35.60	14,228	4,170	1,626	2.56	8.75	8.0	50.5	P.S.C.	No	No	30	440	28
	AW 5518GK	37.50	15,443	4,526	1,646	2.75	9.38	7.6	54.1	P.S.C.	No	No	35	440	32
	AW 5519GK	39.60	16,896	4,952	1,808	2.74	9.34	8.3	54.1	P.S.C.	No	No	35	440	32
	AW 5520GK	43.10	17,947	5,260	1,983	2.65	9.05	9.1	51.3	P.S.C.	No	No	45	440	32
	AW 5520GKW	43.10	19,000	5,570	1,820	3.06	10.44	8.5	55.0	P.S.C.	No	No	50	440	32
	AW 5525GK	48.40	21,345	6,257	2,265	2.76	9.43	11.1	66.7	P.S.C.	No	No	35	440	32
	AW 5527GK	50.60	22,512	6,598	2,403	2.75	9.37	11.5	73.0	P.S.C.	No	No	50	440	32
	AW 5530GK	53.50	23,997	7,033	2,430	2.89	9.88	11.8	73.0	P.S.C.	No	No	50	440	32

**208-230V / 60Hz / 1P**

MBP/CBP	WJ 9460G-2	19.80	6,300	1,846	1,050	1.76	6.00	4.8	29.0	C.S.R.	88-106	330	20	440	26
MBP/HBP	AW 4524GK-2	43.10	12,510	3,665	1,948	1.88	6.42	10.0	76.0	C.S.R.	108-130	330	35	440	32
		43.10	24,225	7,100	2,420	2.93	10.00	12.0	76.0	C.S.R.	108-130	330	35	440	32
	AW 4528GK-2	48.40	14,920	4,373	2,195	1.99	6.80	10.0	73.0	C.S.R.	130-156	330	35	440	32
		48.40	27,800	8,148	2,780	2.93	10.00	12.9	73.0	C.S.R.	130-156	330	35	440	32
	AW 4532GK-2	53.50	16,660	4,883	2,594	1.88	6.42	12.4	89.4	C.S.R.	130-156	330	50	440	32
		53.50	31,970	9,370	3,228	2.90	9.90	15.2	89.4	C.S.R.	130-156	330	50	440	32
HBP/AC	AE 5462GK-2	14.14	7,097	2,080	970	2.14	7.32	4.5	24.0	P.S.C.	No	No	15	440	21
	AW 5519GK-2	35.60	16,970	4,974	1,950	2.55	8.70	9.1	70.0	P.S.C.	No	No	30	440	28

**220-240V / 50Hz / 1P**

MBP/CBP	WJ 9480G-6	24.20	11,600	3,400	1,370	2.48	8.47	7.0	40.0	C.S.R.	108-130	330	25	450	26
---------	------------	-------	--------	-------	-------	------	------	-----	------	--------	---------	-----	----	-----	----

**208-230V / 60Hz / 1P**

MBP/CBP	WJ 9480G-6	24.20	14,023	4,110	1,710	2.40	8.20	7.5	40.0	C.S.R.	108-130	330	25	450	26
---------	------------	-------	--------	-------	-------	------	------	-----	------	--------	---------	-----	----	-----	----

**380-420V / 50Hz / 3P**

HBP	AW 4532G-9	53.50	24,737	7,250	2,480	2.92	9.98	4.4	30.5	3 PHASE	No	No	No	No	32
HBP/AC	AW 5519G-9	39.60	15,702	4,602	1,536	3.00	10.22	2.6	24.0	3 PHASE	No	No	No	No	32
	AW 5524G-9	43.10	19,795	5,800	1,918	3.02	10.32	3.4	24.0	3 PHASE	No	No	No	No	32
	AW 5528G-9	48.40	23,205	6,800	2,230	3.05	10.41	3.9	30.5	3 PHASE	No	No	No	No	32
	AW 5532G-9	53.50	25,385	7,440	2,520	2.95	10.07	4.4	30.5	3 PHASE	No	No	No	No	32

**460V / 60Hz / 3P**

HBP	AW 4532G-9	53.50	29,582	8,670	2,990	2.90	9.90	4.4	30.5	3 PHASE	No	No	No	No	32
HBP/AC	AW 5519G-9	39.60	18,899	5,539	1,854	2.99	10.19	2.6	24.0	3 PHASE	No	No	No	No	32
	AW 5524G-9	43.10	23,572	6,908	2,278	3.03	10.35	3.4	24.0	3 PHASE	No	No	No	No	32
	AW 5528G-9	48.40	28,220	8,270	2,670	3.10	10.57	3.9	30.5	3 PHASE	No	No	No	No	32
	AW 5532G-9	53.50	31,000	9,086	3,030	3.00	10.23	4.4	30.5	3 PHASE	No	No	No	No	32

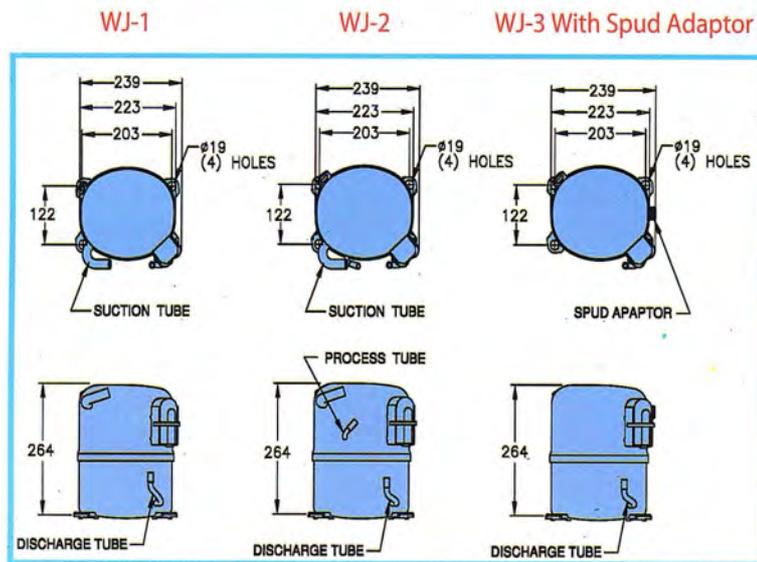
App.	Model	Disp. (cc)	Cooling Capacity		Input (W)	COP (W/W)	EER. (BTU/W-Hr)	RLA (A)	LRA (A)	Motor Type	Start CAP.		Run CAP.		Dim. "A"
			(BTU/Hr)	(W)							MFD	VAC	MFD	VAC	
<b>R410A</b>		<b>220-240V / 50Hz / 1Ph</b>													
HBP/AC	AW 5520B	27.80	17,400	5,100	1,770	2.88	9.83	8.4	52.0	P.S.C.	88-106	330	30	440	324
	AW 5522B	30.50	18,900	5,540	1,990	2.78	9.50	9.4	51.0	P.S.C.	88-106	330	45	440	324
	AW 5524B	32.70	20,500	6,008	2,190	2.74	9.36	10.3	51.0	P.S.C.	88-106	330	45	440	324
	AW 5528B	35.60	24,600	7,210	2,455	2.94	10.02	12.1	67.0	P.S.C.	88-106	330	35	440	324
	AW 5530B	37.50	25,300	7,415	2,550	2.91	9.92	12.7	73.0	P.S.C.	88-106	330	50	440	324
	AW 5532B	39.60	27,000	7,913	2,750	2.88	9.82	13.5	73.0	P.S.C.	88-106	330	50	440	324
	AW 5535B	43.10	29,500	8,646	3,000	2.88	9.83	15.0	85.0	P.S.C.	88-106	330	60	440	324
	AW 5540B	48.40	33,800	9,906	3,530	2.81	9.58	17.0	85.0	P.S.C.	88-106	330	60	440	324
	AW 5542B	50.60	35,200	10,317	3,700	2.79	9.51	18.0	85.0	P.S.C.	88-106	330	60	440	324

**208-230V / 60Hz / 1Ph**

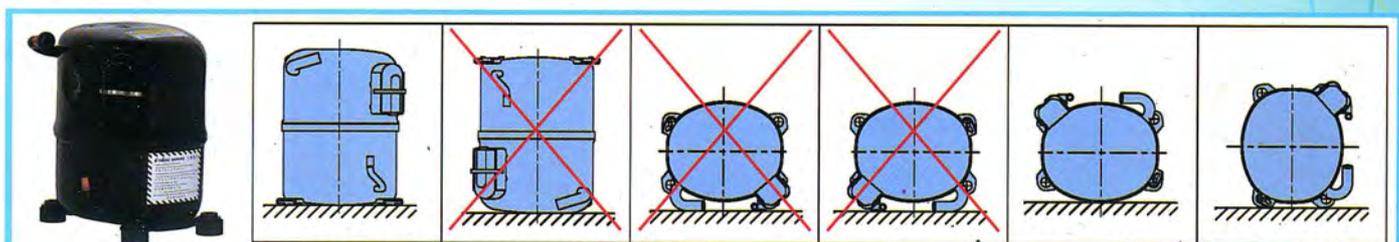
HBP/AC	AW 5520B-2	27.80	19,510	5,718	2,052	2.79	9.51	9.0	55.0	P.S.C.	130-156	330	35	440	324
	AW 5524B-2	32.70	25,300	7,414	2,628	2.82	9.63	11.4	60.0	P.S.C.	161-193	330	40	440	324
	AW 5530B-2	37.50	29,690	8,702	3,100	2.81	9.59	15.3	100.0	P.S.C.	161-193	330	45	440	324
	AW 5532B-2	39.60	32,370	9,487	3,375	2.81	9.59	16.0	100.0	P.S.C.	161-193	330	50	440	324
	AW 5535B-2	43.10	35,710	10,466	3,723	2.81	9.59	16.4	90.0	P.S.C.	108-130	330	60	440	324
	AW 5540B-2	48.40	40,970	12,007	4,246	2.83	9.65	18.7	90.0	P.S.C.	108-130	330	60	440	324

**WJ Compressor**

General Dimensions (mm.)



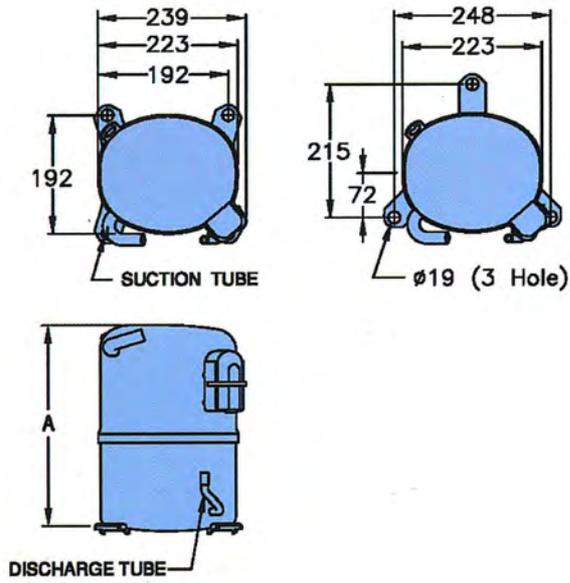
**Allowable Positions For Shipping After Compressor Assembly**



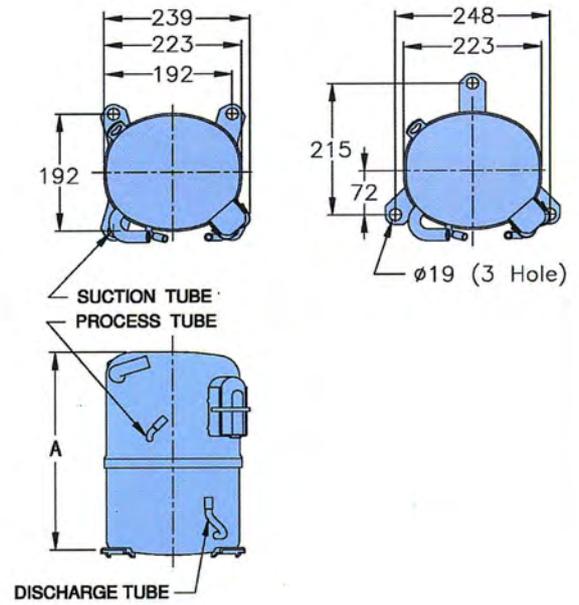
AW Compressor

General Dimensions (mm.)

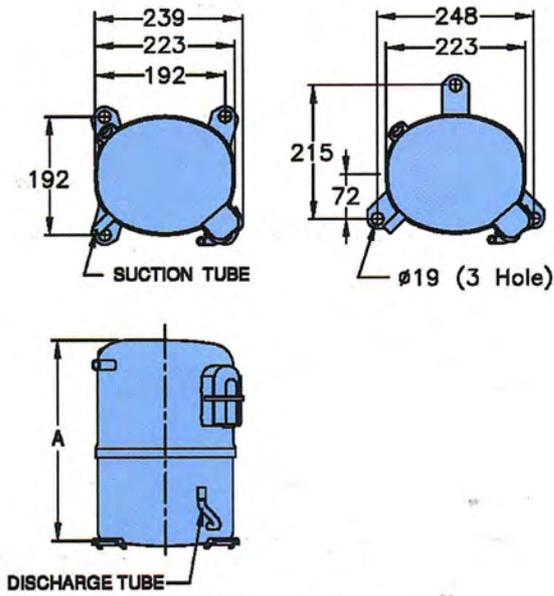
AW-1



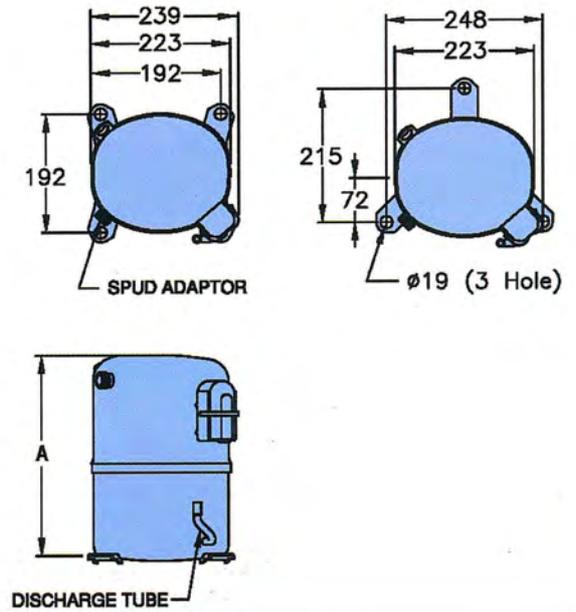
AW-2



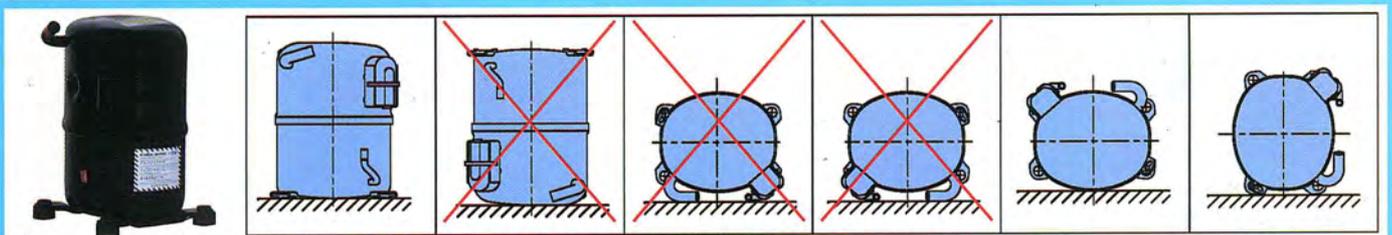
AW-3



AW-4 With Spud Adaptor



Allowable Positions For Shipping After Compressor Assembly



App.	Model	Disp. (cc)	Cooling Capacity		Input (W)	COP (W/W)	EER (BTU/W-Hr)	RLA (A)	LRA (A)	Motor Type	Start CAP.		Run CAP.		Dim. "A"
			(BTU/Hr)	(W)							MFD	VAC	MFD	VAC	
<b>R22</b>			<b>380-420V / 50Hz / 3Ph</b>												
HBP/AC	KA 5538EXG	65	30,000	8,793	2,730	3.22	10.99	5.7	40.0	3 PHASE	No	No	No	No	399
	KA 5542EXG	70	34,000	9,965	3,047	3.27	11.16	6.0	40.0	3 PHASE	No	No	No	No	399
	KA 5550EXG	80	41,000	12,017	3,686	3.26	11.12	6.8	40.0	3 PHASE	No	No	No	No	399
	KA 5555EXG	90	46,000	13,482	4,110	3.28	11.19	7.9	62.0	3 PHASE	No	No	No	No	399
	KA 5560EXG	100	53,000	15,534	4,736	3.28	11.19	8.7	62.0	3 PHASE	No	No	No	No	399
	KA 5570EXG	115	58,000	17,000	5,466	3.11	10.61	9.9	62.0	3 PHASE	No	No	No	No	399

			<b>440-460V / 60Hz / 3Ph</b>												
HBP/AC	KA 5538EXG	65	37,000	10,844	3,286	3.30	11.26	5.7	43.0	3 PHASE	No	No	No	No	399
	KA 5542EXG	70	41,000	12,017	3,630	3.31	11.29	6.0	43.0	3 PHASE	No	No	No	No	399
	KA 5550EXG	80	49,000	14,360	4,365	3.29	11.23	6.8	43.0	3 PHASE	No	No	No	No	399
	KA 5555EXG	90	55,000	16,120	4,975	3.24	11.06	8.0	70.0	3 PHASE	No	No	No	No	399
	KA 5560EXG	100	58,000	17,000	5,466	3.11	10.61	10.0	70.0	3 PHASE	No	No	No	No	399
	KA 5570EXG	115	70,000	20,516	6,618	3.10	10.58	10.5	70.0	3 PHASE	No	No	No	No	399

			<b>380V / 60Hz / 3Ph</b>												
HBP/AC	KA 5560EXI	100	59,500	17,430	5,550	3.14	10.72	9.6	74.0	3 PHASE	No	No	No	No	399

			<b>200-220V / 50Hz / 3Ph</b>												
HBP/AC	KA 5550EXT	80	39,445	11,560	3,536	3.27	11.16	15.7	121.0	3 PHASE	No	No	No	No	399
	KA 5555EXT	90	46,400	13,600	4,160	3.27	11.15	16.5	121.0	3 PHASE	No	No	No	No	399

			<b>200-230V / 60Hz / 3Ph</b>												
HBP/AC	KA 5550EXT	80	46,500	13,629	4,150	3.28	11.20	13.6	121.0	3 PHASE	No	No	No	No	399
	KA 5555EXT	90	54,300	15,914	4,860	3.27	11.17	15.0	121.0	3 PHASE	No	No	No	No	399

<b>R404A/R507</b>			<b>380-420V / 50Hz / 3Ph</b>												
MBP/CBP	KA 9522ZXG	65	19,100	5,598	2,625	2.13	7.28	5.8	40.0	3 PHASE	No	No	No	No	399
	KA 9524ZXG	70	20,800	6,096	2,800	2.18	7.43	6.0	40.0	3 PHASE	No	No	No	No	399
	KA 9528ZXG	80	24,000	7,034	3,230	2.18	7.43	6.4	40.0	3 PHASE	No	No	No	No	399
	KA 9531ZXG	90	28,600	8,382	3,675	2.28	7.78	7.7	62.0	3 PHASE	No	No	No	No	399
	KA 9535ZXG	100	32,000	9,380	4,160	2.25	7.69	8.3	62.0	3 PHASE	No	No	No	No	399
	KA 9540ZXG	115	36,800	10,786	4,880	2.21	7.54	9.4	62.0	3 PHASE	No	No	No	No	399
HBP	KA 5542ZXG	65	35,500	10,405	3,250	3.20	10.92	6.6	40.0	3 PHASE	No	No	No	No	399
	KA 5544ZXG	70	38,400	11,255	3,460	3.25	11.10	6.9	40.0	3 PHASE	No	No	No	No	399
	KA 5552ZXG	80	44,000	12,896	4,030	3.20	10.92	7.6	40.0	3 PHASE	No	No	No	No	399
	KA 5558ZXG	90	51,300	15,035	4,555	3.30	11.26	8.9	62.0	3 PHASE	No	No	No	No	399
	KA 5564ZXG	100	56,000	16,413	5,170	3.17	10.83	9.8	62.0	3 PHASE	No	No	No	No	399
	KA 5572ZXG	115	63,000	18,464	6,040	3.06	10.43	11.1	62.0	3 PHASE	No	No	No	No	399

			<b>440-460V / 60Hz / 3Ph</b>												
MBP/CBP	KA 9522ZXG	65	22,300	6,536	3,035	2.15	7.35	5.8	43.0	3 PHASE	No	No	No	No	399
	KA 9524ZXG	70	23,400	6,858	3,200	2.14	7.31	6.0	43.0	3 PHASE	No	No	No	No	399
	KA 9528ZXG	80	27,500	8,060	3,690	2.18	7.45	6.3	43.0	3 PHASE	No	No	No	No	399
	KA 9531ZXG	90	31,000	9,086	4,090	2.22	7.58	7.5	70.0	3 PHASE	No	No	No	No	399
	KA 9535ZXG	100	35,000	10,258	4,710	2.18	7.43	8.1	70.0	3 PHASE	No	No	No	No	399
	KA 9540ZXG	115	40,500	11,870	5,600	2.12	7.23	9.2	70.0	3 PHASE	No	No	No	No	399
HBP	KA 5542ZXG	65	41,500	12,163	3,810	3.19	10.89	6.6	43.0	3 PHASE	No	No	No	No	399
	KA 5544ZXG	70	44,400	13,013	4,050	3.21	10.96	6.9	43.0	3 PHASE	No	No	No	No	399
	KA 5552ZXG	80	51,500	15,094	4,755	3.17	10.83	7.5	43.0	3 PHASE	No	No	No	No	399
	KA 5558ZXG	90	58,400	17,116	5,300	3.23	11.02	8.8	70.0	3 PHASE	No	No	No	No	399
	KA 5564ZXG	100	64,200	18,816	6,100	3.08	10.52	9.7	70.0	3 PHASE	No	No	No	No	399
	KA 5572ZXG	115	71,600	20,985	7,120	2.95	10.06	10.9	70.0	3 PHASE	No	No	No	No	399

			<b>200-220V / 50Hz / 3Ph</b>												
LBP	KA 2512ZXT	93	10,970	3,215	2,690	1.20	4.08	10.2	90.0	3 PHASE	No	No	No	No	399
MBP/CBP	KA 9524ZXT	70	19,910	5,835	2,695	2.17	7.39	14.8	121.0	3 PHASE	No	No	No	No	399
	KA 9531ZXT	90	27,170	7,963	3,620	2.20	7.51	16.0	121.0	3 PHASE	No	No	No	No	399
	KA 9535ZXT	100	32,417	9,500	4,210	2.26	7.70	16.7	121.0	3 PHASE	No	No	No	No	399
HBP	KA 5542ZXT	70	38,000	11,137	3,420	3.26	11.11	15.8	121.0	3 PHASE	No	No	No	No	399
	KA 5555ZXT	90	48,940	14,344	4,560	3.15	10.73	17.8	121.0	3 PHASE	No	No	No	No	399
	KA 5562ZXT	100	56,950	16,690	5,230	3.19	10.89	18.6	121.0	3 PHASE	No	No	No	No	399

			<b>200-230V / 60Hz / 3Ph</b>												
LBP	KA 2512ZXT	93	12,430	3,643	3,050	1.19	4.08	9.6	90.0	3 PHASE	No	No	No	No	399
MBP/CBP	KA 9524ZXT	70	20,800	6,096	2,765	2.20	7.52	11.0	121.0	3 PHASE	No	No	No	No	399
	KA 9531ZXT	90	28,870	8,460	3,800	2.23	7.60	13.0	121.0	3 PHASE	No	No	No	No	399
	KA 9535ZXT	100	34,567	10,130	4,530	2.24	7.63	14.2	121.0	3 PHASE	No	No	No	No	399
HBP	KA 5542ZXT	70	42,400	12,427	3,760	3.31	11.28	13.0	121.0	3 PHASE	No	No	No	No	399
	KA 5555ZXT	90	54,720	16,038	5,150	3.11	10.63	15.9	121.0	3 PHASE	No	No	No	No	399
	KA 5562ZXT	100	63,000	18,464	5,885	3.14	10.71	17.3	121.0	3 PHASE	No	No	No	No	399

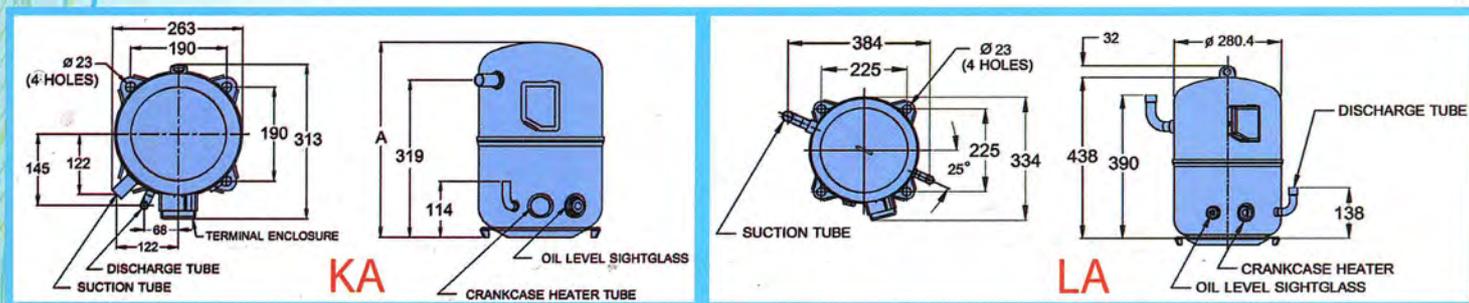
			<b>208-230V / 60Hz / 1Ph</b>												
LBP	KA 2512Z-2	93	12,370	3,625	3,120	1.16	3.96	14.5	110.0	C.S.R.	No	No	No	No	399

<b>R407C</b>			<b>380-420V / 50Hz / 3Ph</b>												
HBP/AC	KA 5560GXG	100	53,000	15,534	4,736	3.28	11.19	8.7	62.0	3 PHASE	No	No	No	No	399

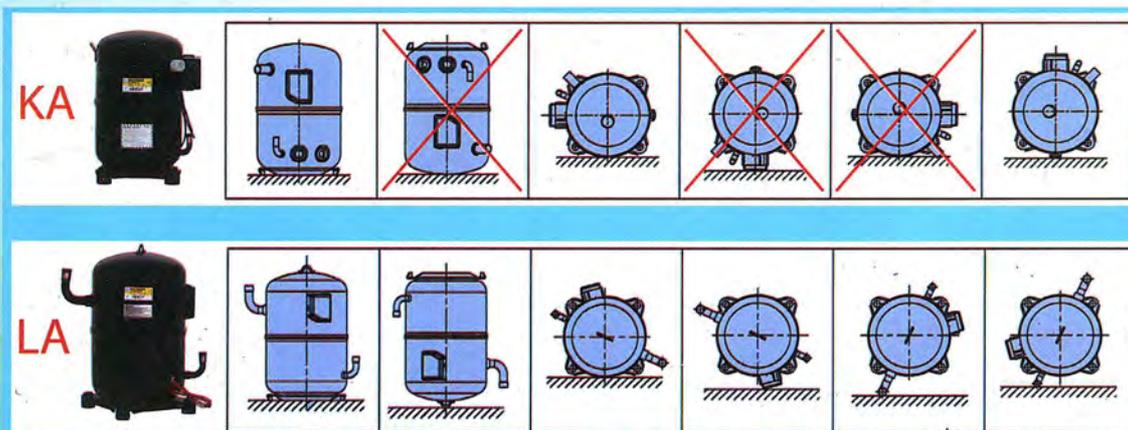
			<b>440-460V / 60Hz / 3Ph</b>												
HBP/AC	KA 5560GXG	100	58,000	16,999	5,466	3.11	10.61	10.0	70.0	3 PHASE	No	No	No	No	399

App.	Model	Disp. (cc)	Cooling Capacity		Input (W)	COP (W/W)	EER (BTU/W-Hr)	RLA (A)	LRA (A)	Motor Type	Start CAP.		Run CAP.		Dim. "A"
			(BTU/Hr)	(W)							MFD	VAC	MFD	VAC	
<b>R22</b>											<b>380-420V / 50Hz / 3Ph.</b>				
HBP/AC	LA 5590EXG	174	75,000	21,980	7,580	2.90	9.89	14.4	60.0	3 PHASE	No	No	No	No	438
	LA 5610EXG	197	87,000	25,498	8,790	2.90	9.90	15.8	80.0	3 PHASE	No	No	No	No	454
	LA 5612EXG	211	97,000	28,430	9,800	2.90	9.90	19.7	85.0	3 PHASE	No	No	No	No	454
											<b>440-460V / 60Hz / 3Ph.</b>				
HBP/AC	LA 5590EXG	174	90,000	26,378	9,090	2.90	9.90	15.5	60.0	3 PHASE	No	No	No	No	438
	LA 5610EXG	197	105,000	30,774	10,600	2.90	9.91	18.9	80.0	3 PHASE	No	No	No	No	454
	LA 5612EXG	211	120,000	35,170	12,120	2.90	9.90	21.0	85.0	3 PHASE	No	No	No	No	454
											<b>380V / 60Hz / 3Ph.</b>				
HBP/AC	LA 5590EXI	174	90,000	26,378	9,090	2.90	9.90	15.5	70.0	3 PHASE	No	No	No	No	438
	LA 5610EXI	197	105,000	30,774	10,600	2.90	9.91	18.9	120.0	3 PHASE	No	No	No	No	454
	LA 5612EXI	211	120,000	35,170	12,120	2.90	9.90	21.0	85.0	3 PHASE	No	No	No	No	454
											<b>200-220V / 50Hz / 3Ph.</b>				
HBP/AC	LA 5590EXT	174	75,000	21,980	7,580	2.90	9.90	22.3	121.0	3 PHASE	No	No	No	No	438
	LA 5610EXT	197	87,000	25,498	8,790	2.90	9.90	27.0	208.0	3 PHASE	No	No	No	No	454
	LA 5612EXT	211	97,000	28,430	9,800	2.90	9.90	30.0	85.0	3 PHASE	No	No	No	No	454
											<b>200-230V / 60Hz / 3Ph.</b>				
HBP/AC	LA 5590EXT	174	90,000	26,400	9,090	2.90	9.90	26.7	121.0	3 PHASE	No	No	No	No	438
	LA 5610EXT	197	105,000	30,774	10,600	2.90	9.91	32.7	208.0	3 PHASE	No	No	No	No	454
	LA 5612EXT	211	120,000	35,170	12,120	2.90	9.90	32.0	85.0	3 PHASE	No	No	No	No	454
<b>R404A/R507</b>											<b>380-420V / 50Hz / 3Ph.</b>				
HBP	LA 5590ZXG	174	73,815	21,634	7,230	2.99	10.21	14.6	60.0	3 PHASE	No	No	No	No	438
	LA 5610ZXG	197	87,000	25,498	8,790	2.90	9.90	15.8	80.0	3 PHASE	No	No	No	No	454
	LA 5612ZXG	211	97,000	28,429	9,800	2.90	9.90	19.7	85.0	3 PHASE	No	No	No	No	454
											<b>440-460V / 60Hz / 3Ph.</b>				
HBP	LA 5590ZXG	174	88,580	25,961	8,850	2.93	10.01	14.5	60.0	3 PHASE	No	No	No	No	438
	LA 5610ZXG	197	105,000	30,774	10,600	2.90	9.91	18.9	80.0	3 PHASE	No	No	No	No	454
	LA 5612ZXG	211	120,000	35,170	12,120	2.90	9.90	21.0	85.0	3 PHASE	No	No	No	No	454
<b>R407C</b>											<b>380-420V / 50Hz / 3Ph.</b>				
HBP/AC	LA 5590GXG	174	75,000	21,980	7,580	2.90	9.89	14.4	60.0	3 PHASE	No	No	No	No	438
	LA 5612GXG	211	97,000	28,430	9,800	2.90	9.90	19.7	85.0	3 PHASE	No	No	No	No	454
											<b>440-460V / 60Hz / 3Ph.</b>				
HBP/AC	LA 5590GXG	174	90,000	26,378	9,090	2.90	9.90	15.5	60.0	3 PHASE	No	No	No	No	438
	LA 5612GXG	211	120,000	35,170	12,120	2.90	9.90	21.0	85.0	3 PHASE	No	No	No	No	454

**KA/LA Compressor**  
General Dimensions (mm.)



**Allowable Positions For Shipping After Compressor Assembly**



## CONDENSING UNIT

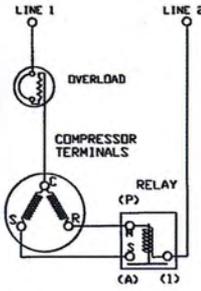
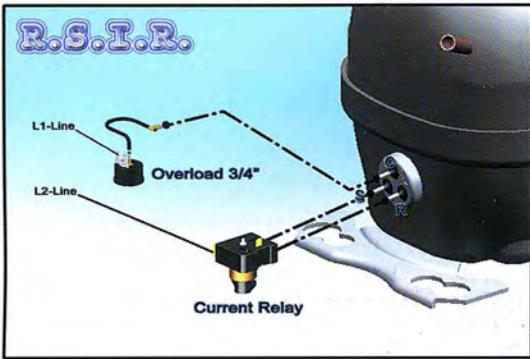
Model	App.	HP	Motor Type	Receiver Type	Nominal Capacity				Fan Motor		Fan Blade		Dimensions (mm.)		
					Watt		BTU/Hr		Output Watt	FLA. Amps	Blade	Diameter inch (OD)	H	D	W
					50 Hz	60 Hz	50 Hz	60 Hz							
<b>R134a</b>															
CAE 1360YB-1	HBP	1/16	R.S.I.R.	WITH	-	189	-	645	9	0.25	5	9.05	279	470	330
CAE 2410YA	LBP	2/9	C.S.I.R.	LESS	270	-	921	-	13	0.32	5	9.05	279	470	330
CAE 2410YA-2	LBP	1/4	C.S.I.R.	LESS	-	312	-	1,065	7	0.25	5	8.00	254	450	340
CAE 2410YB	LBP	2/9	C.S.I.R.	WITH	270	-	921	-	13	0.32	5	9.05	279	470	330
CAE 2413YA	LBP	2/7	C.S.I.R.	LESS	330	-	1,126	-	13	0.32	5	9.05	279	470	330
CAE 2413YA-2	LBP	1/3	C.S.R.	LESS	-	372	-	1,269	13	0.32	5	9.05	279	470	330
CAE 2413YB	LBP	2/7	C.S.I.R.	WITH	330	-	1,126	-	13	0.32	5	9.05	279	470	330
CAE 2413YB-2	LBP	1/3	C.S.R.	WITH	-	372	-	1,269	13	0.32	5	9.05	279	470	330
CAE 2415YA	LBP	1/3	C.S.R.	LESS	370	-	1,262	-	13	0.32	5	9.05	279	470	330
CAE 2415YB	LBP	1/3	C.S.R.	WITH	370	-	1,262	-	13	0.32	5	9.05	279	470	330
CAE 3425YB-1	HBP	1/6	R.S.I.R.	WITH	-	802	-	1,958	13	0.32	5	9.00	279	470	330
CAE 4435YA	HBP	1/4	C.S.I.R.	LESS	902	-	3,078	-	7	0.22	5	8.00	254	450	340
CAE 4440YB-1	HBP	1/3	C.S.R.	WITH	-	1,174	-	4,006	7	0.53	5	9.00	284	470	330
CAE 4448YA	HBP	1/3	C.S.I.R.	LESS	1,190	-	4,060	-	7	0.22	5	8.00	336	500	435
CAE 7423YB	MBP	1/4	C.S.I.R.	WITH	574	-	1,958	-	13	0.32	5	9.00	279	470	330
CAE 7423YB-2	MBP	2/7	C.S.I.R.	WITH	-	670	-	2,286	13	0.32	5	9.00	279	470	330
CAE 7423YC	MBP	1/4	C.S.I.R.	WITH	574	-	1,958	-	13	0.32	5	9.00	279	470	330
CAE 7430YB	MBP	1/3	C.S.R.	WITH	745	-	2,542	-	13	0.32	5	9.00	279	470	330
CAE 7430YB-2	MBP	3/8	C.S.R.	WITH	-	866	-	2,955	13	0.32	5	9.00	279	470	330
CAE 7430YC	MBP	1/3	C.S.I.R.	WITH	745	-	2,542	-	13	0.32	5	9.00	279	470	330
CAE 9437YB	MBP	2/5	C.S.R.	WITH	920	-	3,139	-	13	0.32	5	9.00	279	470	330
	HBP	1/2			1,680	-	5,732								
CAE 9437YB-1	CBP	3/7	C.S.R.	WITH	-	986	-	3,363	13	0.32	5	9.05	279	470	330
CAE 9437YC	MBP	2/5	C.S.R.	WITH	920	-	3,139	-	13	0.32	5	9.00	279	470	330
	HBP	1/2			1,680	-	5,732								
CBA 9437YB	MBP	2/5	C.S.R.	WITH	920	-	3,139	-	28	0.60	5	11.80	319	550	435
	HBP	1/2			1,680	-	5,732								
CWJ 9440YB-1	CBP	1/2	C.S.R.	WITH	-	1,180	-	4,026	40	0.91	5	12.00	369	620	520
CWJ 9440YB-2	CBP	1/2	C.S.R.	WITH	-	1,158	-	3,951	40	0.91	5	12.00	369	620	520
CWJ 9460YB	CBP	2/3	C.S.R.	WITH	-	1,580	-	5,391	41	0.37	5	12.00	369	620	520
CAW 4515YB	MBP	2/3	C.S.R.	WITH	1,568	-	5,350	-	28	0.60	5	11.80	422	550	860
	HBP	1			3,526	-	12,031								
CAW 4517YB	MBP	1	C.S.R.	WITH	2,150	-	7,336	-	28	0.60	5	12.00	421	550	860
	HBP	1 2/9			4,298	-	14,665								
CAW 4519YB	MBP	4/7	C.S.R.	WITH	1,340	-	4,572	-	28	0.60	5	11.80	422	550	860
	HBP	7/8			3,090	-	10,543								
<b>R404A/R507</b>															
CAE 2420ZB-2	LBP	1/2	C.S.R.	WITH	-	575	-	1,962	13	0.32	5	9.05	279	470	330
CAE 2425ZB-2	LBP	4/7	C.S.R.	WITH	-	670	-	2,286	13	0.32	5	9.05	279	470	330
CAE 4440ZB-1	HBP	3/8	C.S.R.	WITH	-	1,318	-	4,500	13	0.32	5	9.05	279	470	330
CWJ 2435ZB	LBP	5/7	C.S.R.	WITH	850	-	2,900	-	28	0.60	5	10.00	336	550	435
CWJ 2440ZB	LBP	5/6	C.S.R.	WITH	967	-	3,299	-	28	0.60	5	11.80	336	550	435
CWJ 2450ZB	LBP	1	C.S.R.	WITH	1,114	-	3,800	-	28	0.60	5	11.80	336	550	435
CWJ 2455ZA	LBP	1 1/6	C.S.R.	LESS	1,378	-	4,702	-	28	0.60	5	10.00	336	550	435

## CONDENSING UNIT

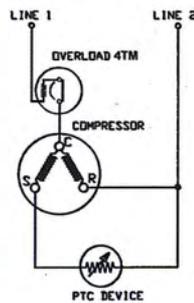
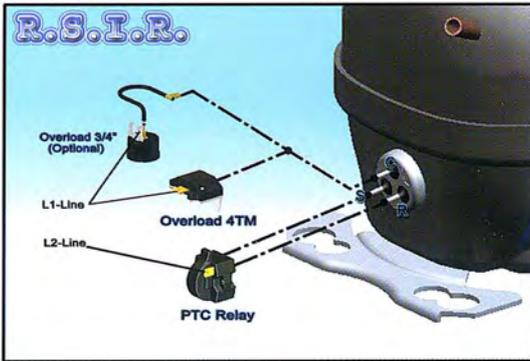
Model	App.	HP	Motor Type	Receiver Type	Nominal Capacity				Fan Motor		Fan Blade		Dimensions (mm.)		
					Watt		BTU/Hr		Output Watt	FLA. Amps	Blade	Diameter inch (OD)	H	D	W
					50 Hz	60 Hz	50 Hz	60 Hz							
CWJ 2455ZA-	LBP	1 1/6	C.S.R.	LESS	1,378	-	4,702	-	28	0.60	5	11.80	336	550	435
CWJ 2455ZB	LBP	1 1/6	C.S.R.	WITH	1,378	-	4,702	-	28	0.60	5	12.00	336	550	435
CWJ 2435ZA	LBP	5/7	C.S.R.	LESS	850	-	2,900	-	28	0.60	5	10.00	336	550	435
CWJ 9485ZB	MBP	1	C.S.R.	WITH	2,180	-	7,438	-	41	0.37	5	11.80	336	550	435
	HBP	1			3,790		12,931								
CWJ 9490ZB	MBP	1	C.S.R.	WITH	2,345	-	8,001	-	28	0.60	5	11.80	336	550	435
	HBP	1 1/8			3,986		13,600								
CWJ 9490ZB-2	MBP	1 1/7	C.S.R.	WITH	-	2,696	-	9,200	40	0.91	5	11.80	336	550	435
	HBP	1 2/7			-	4,490	-	15,320							
CWJ 9513ZB	MBP	1 1/3	C.S.R.	WITH	3,157	-	10,770	-	28	0.60	5	11.80	336	550	435
	HBP	1 1/2			5,334		18,200								
CWJ 9513ZB-2	MBP	1 5/9	C.S.R.	WITH	-	3,650	-	12,454	40	0.91	5	12.00	319	500	435
	HBP	1 7/9			-	6,256	-	21,345							
CAW 2450ZB	LBP	1	C.S.R.	WITH	1,244	-	4,245	-	28	0.60	5	11.80	336	500	435
CAW 2462ZB	LBP	1 1/3	C.S.R.	WITH	1,525	-	5,203	-	28	0.60	5	11.80	422	550	860
CAW 2464ZB	LBP	1 1/3	C.S.R.	WITH	1,580	-	5,391	-	28	0.60	5	11.80	422	550	860
CAW 2464ZB-2	LBP	1 2/3	C.S.R.	WITH	-	1,938	-	6,612	40	0.91	5	11.80	337	500	635
CAW 2464ZB-9	LBP	1 3/7	3 PHASE	WITH	1,671	1,905	5,700	6,500	28	0.60	5	11.80	336	500	435
CAW 2495ZB	LBP	2	C.S.R.	WITH	2,322	-	7,923	-	28	0.60	5	11.80	396	550	860
CAW 2495ZB-9	LBP	2	3 PHASE	WITH	2,393	2,544	8,165	8,680	28	0.60	5	11.80	421	550	860
R22															
CAE 4448EB	HBP	1/3	C.S.R.	WITH	1,172	-	3,999	-	13	0.32	5	9.05	284	470	330
CAE 4474EB	HBP	1/3	C.S.R.	WITH	1,800	-	4,142	-	28	0.60	5	11.80	336	500	435
CAE 7422EB	MBP	1/4	C.S.I.R.	WITH	550	-	1,877	-	7	0.22	5	9.05	279	470	330
CAE 7435EA	MBP	3/8	C.S.R.	LESS	870	-	2,968	-	7	0.32	5	9.00	279	470	330
CAE 7435EB	MBP	3/8	C.S.R.	WITH	870	-	2,968	-	13	0.32	5	9.05	279	470	330
CAE 7440EB	MBP	3/7	C.S.R.	WITH	1,010	-	3,446	-	13	0.32	5	9.00	284	470	330
CAE 7440EC	MBP	3/7	C.S.R.	WITH	1,010	-	3,446	-	7	1.22	5	8.00	279	470	330
CWJ 9480EB	CBP	4/5	C.S.R.	WITH	1,900	-	6,483	-	41	0.37	5	11.80	369	620	520
CAW 5522EB-9	HBP	1 1/2	3 PHASE	WITH	5,143	6,213	17,548	21,199	41	0.37	5	11.80	421	550	860
CAW 5524EB-9	HBP	1 2/3	3 PHASE	WITH	5,802	6,909	19,795	23,572	28	0.60	5	11.80	421	550	860
CAW 5524EC	HBP	1 3/4	PSC	WITH	6,140	-	20,950	-	28	0.60	5	10.00	336	550	435
CAW 5528EB-9	HBP	2	3 PHASE	WITH	6,800	8,270	23,202	28,217	28	0.60	5	11.80	421	550	860
CAW 5530EC	HBP	2	PSC	WITH	7,327	-	25,000	-	28	0.60	5	12.00	421	550	860
R407C															
CWJ 9470GB	CBP	5/7	C.S.R.	WITH	1,700	-	5,800	-	28	0.60	5	11.80	369	620	520
CWJ 9485GB	CBP	1	C.S.R.	WITH	2,140	-	7,302	-	41	0.37	5	11.80	446	620	520
CAW 4520GB	MBP	1 1/8	C.S.R.	WITH	2,643	-	9,018	-	28	0.60	5	11.80	422	550	860
	HBP	1 1/2			5,200		17,742								
CAW 4524GB	MBP	1 1/3	C.S.R.	WITH	3,116	-	10,632	-	28	0.60	5	11.80	422	550	860
	HBP	1 3/4			6,140		20,950								
CAW 4528GB	MBP	1 5/9	C.S.R.	WITH	3,633	-	12,396	-	28	0.60	5	11.80	421	550	860
	HBP	2			7,108		24,252								
CAW 4532GB	MBP	1 3/4	C.S.R.	WITH	4,050	-	13,819	-	28	0.60	5	11.80	396	550	860
	HBP	2 1/4			7,870		26,852								

MOTOR TYPE / WIRING DIAGRAM

RSIR: Resistance Start Induction Run

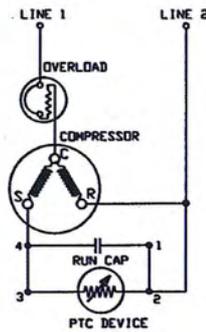
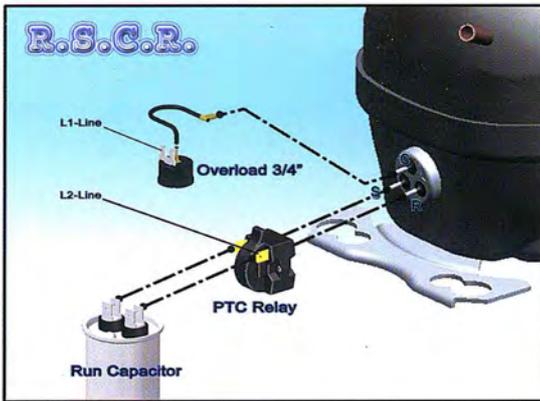


RSIR motor with current relay:  
The motors have a normal starting torque and are designed for completely self-equalizing capillary tube.



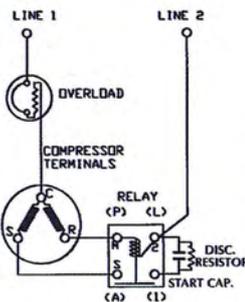
RSIR motor with PTC relay:  
The motor functioning is similar to the RSIR with current relay motor, except for the current relay, which is replaced by the PTC relay.

RSCR: Resistance Start Capacitor Run



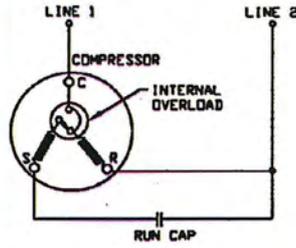
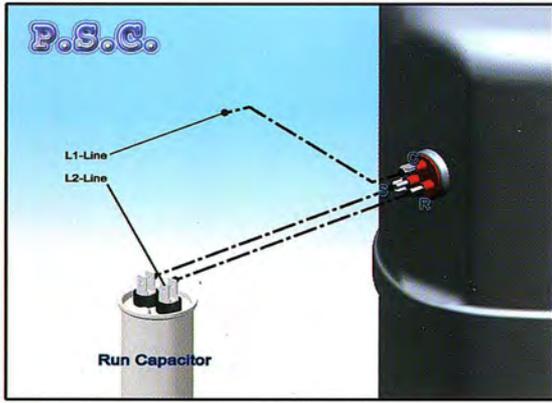
The motors have a PTC starting torque and a run capacitor. Their functioning is similar to the PSC motor. These compressors have a normal starting torque.

CSIR: Capacitor Start Induction Run



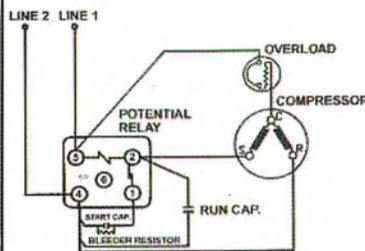
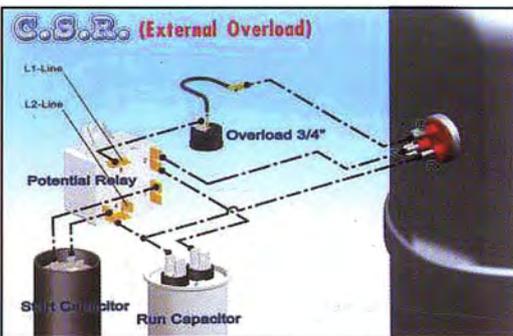
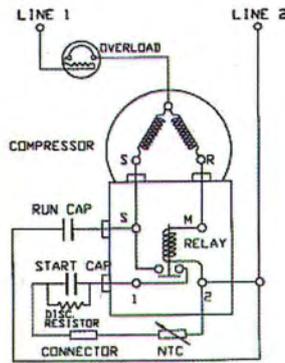
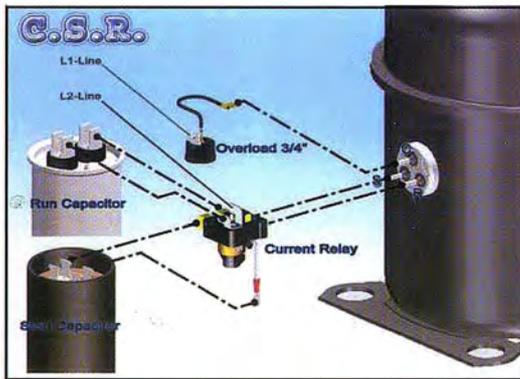
The motors have a high starting torque, using an electrolytic starting capacitor. Recommended for applications with capillary tube or expansion valve systems.

**PSC: Permanent Split Capacitor**

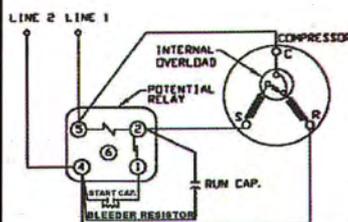
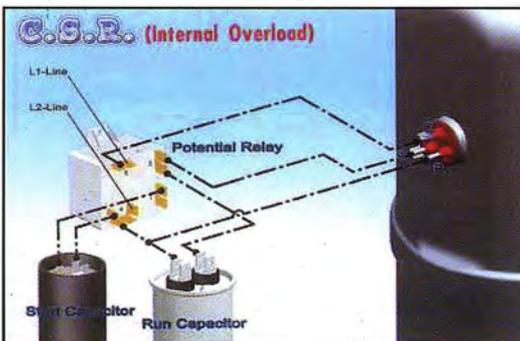


A run capacitor in series with the start winding produces a higher efficiency (EER) in comparison to a RSIR motor. They have a normal starting torque and are designed for capillary tube control devices, with equalized pressures.

**CSR: Capacitor Start Capacitor Run**

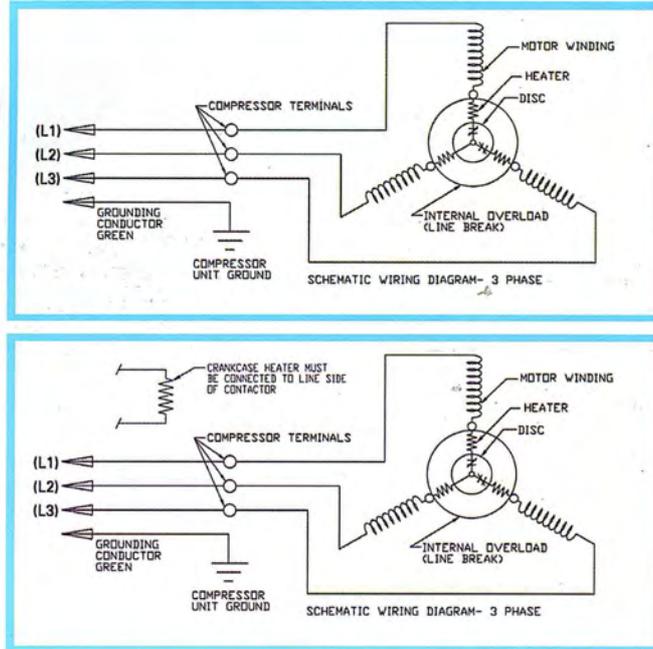


This motor arrangement uses a start capacitor added to a PSC circuit. The high starting torque is suitable for unequalized systems with capillary tube or expansion valve, maintaining the same efficiency of a PSC motor.



**3 Phase Motor**

Excellent starting torque, a wide operating voltage range, no ancillary starting devices (relays, capacitor), reduced starting load on any individual phase and minimal impact on nearby lighting, etc.



**Rating Conditions (ASHRAE-T) for All Series**

	LBP	MBP/CBP	HBP/AC
- Evaporating Temp.	-10°F / -23.3°C	20°F / -6.7°C	45°F / 7.2°C
- Condensing Temp.	130°F / 54.4°C	130°F / 54.4°C	130°F / 54.4°C
- Return Gas Temp.	90°F / 32°C	95°F / 35°C	95°F / 35°C
- Liquid entering Temp.	90°F / 32°C	115°F / 46°C	115°F / 46°C
- Room Ambient	90°F / 32°C	95°F / 35°C	95°F / 35°C
- Application Range	-34 to -12°C (-29 to 10°F)	-23 to 12.7°C (-9.4 to 9.1°F)	-6.7 to 12.7°C (20 to 55°F)

**Conversion Factor**

Capacity in HP (Horse Power)

in High Back Pressure (HBP) and Air Conditioning (HBP/AC)

$$HP = \frac{\text{Performance at 60Hz in Btu/hr}}{12000}$$

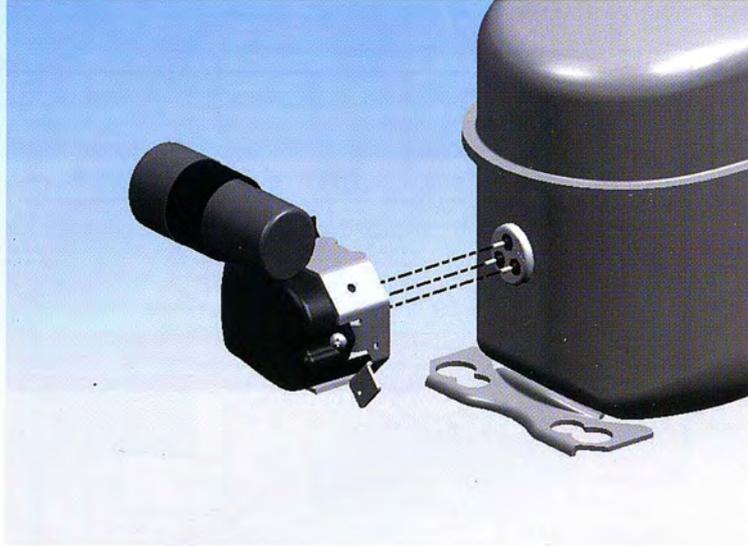
in Medium / Commercial Back Pressure (M / CBP)

$$HP = \frac{\text{Performance at 60Hz in Btu/hr}}{8000}$$

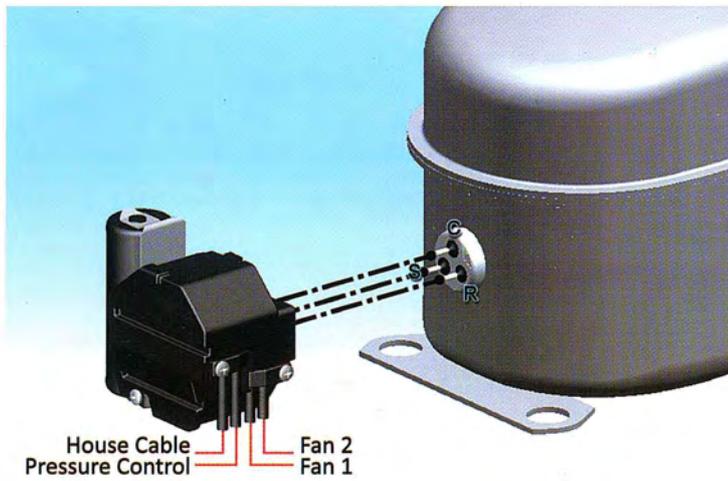
in Low Back Pressure (LBP)

$$HP = \frac{\text{Performance at 60Hz in Btu/hr}}{4000}$$

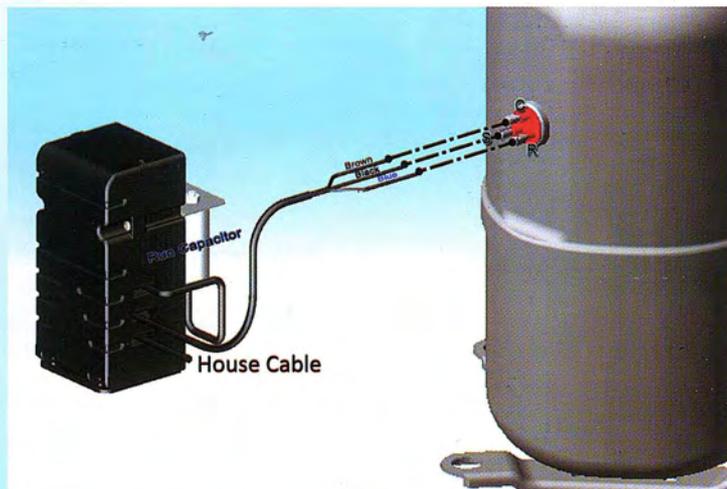
Electrical Assembly (Normal Type) for AE, BA Series (Current Relay, External Overload, Start Capacitor)



Electrical Terminal Box for AE, BA Series (Current Relay, External Overload, Start Capacitor)

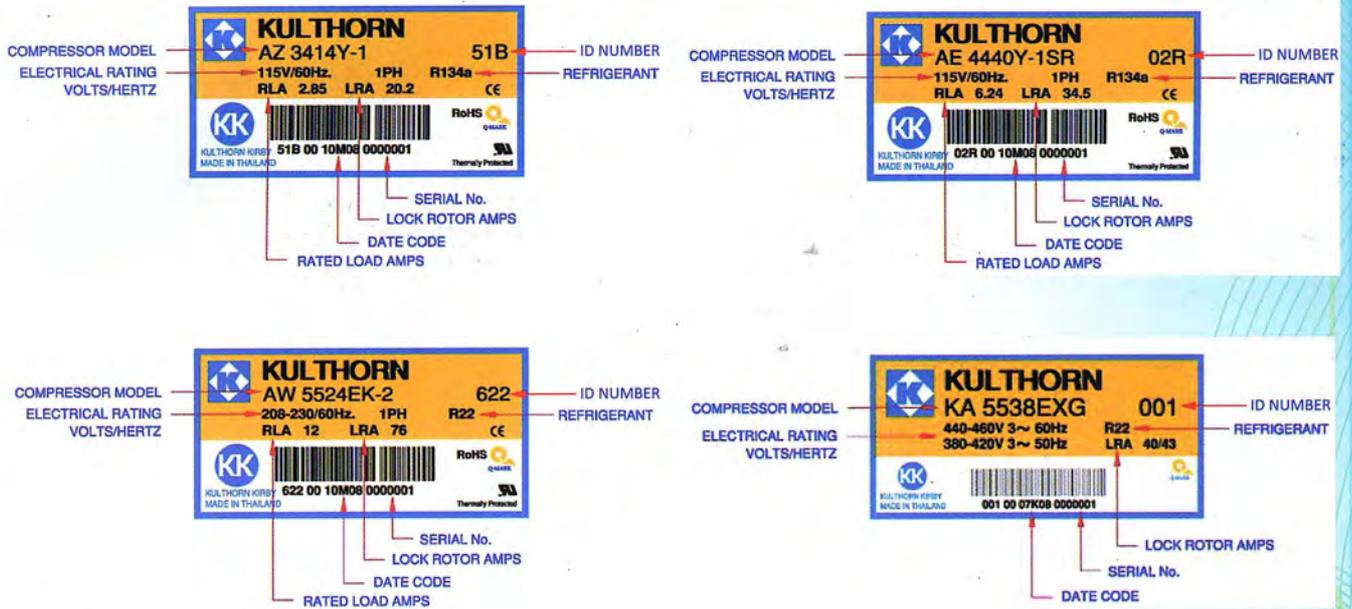


Electrical Terminal Box for AW, WJ Series (Potential Relay, Internal Overload, Start and Run Capacitor)

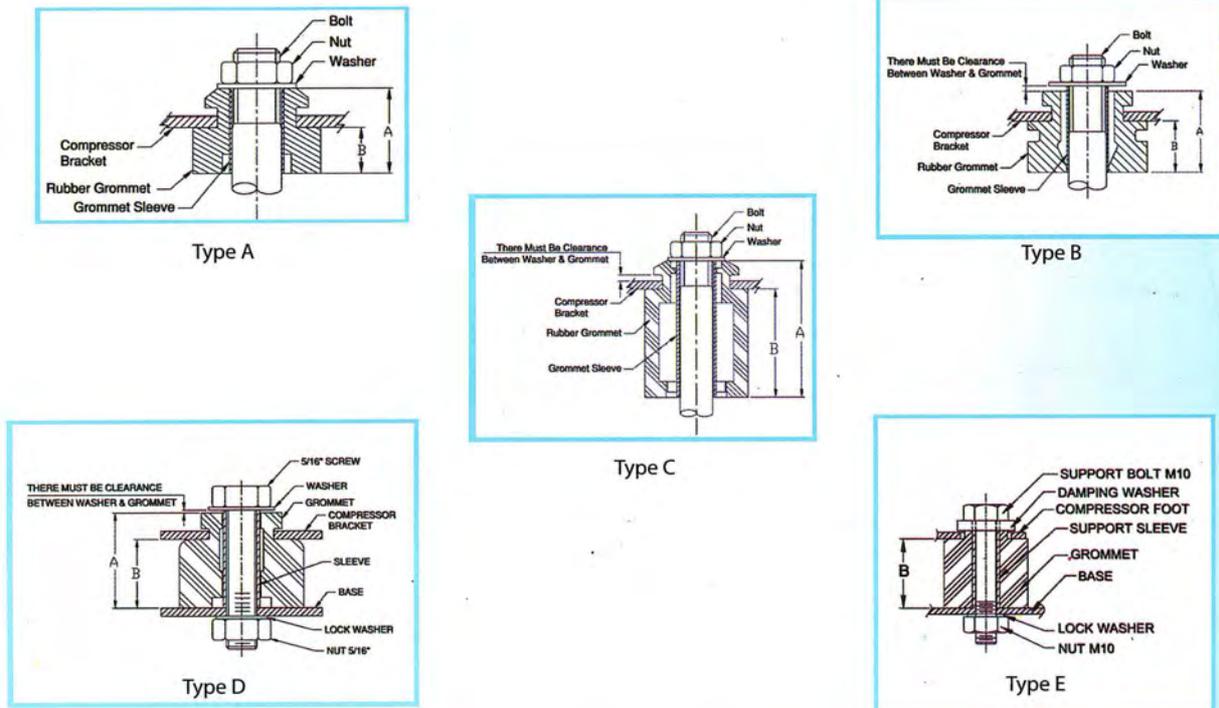


# SERIAL PLATE LABEL & COMPRESSOR MOUNTING SYSTEM

## Serial Plate Label



## Compressor Mounting System



Series	Type	High "A" (mm.)	High "B" (mm.)
AZ, AZA	A	17.5	9.5
AE, BA	B	21.8	13.9
AW, WJ	C	37	29
AW, WJ	D	28.5	20.6
KA, LA	E	-	35

# KULTHORN GROUP OF COMPANIES

World - Class Products for Refrigeration and Air - Conditioning

## **KPC** Kulthorn Premier Co., Ltd.

Company Registration No. : 0105532033098  
 Address : 446/3 Moo 9 Chachoengsao-Nakornratchasima Road,  
 Kabinburi, Prachinburi 25100, Thailand  
 Telephone : (037) 204835,455516  
 Fax : (037) 455525,204844  
 Product : Hermetic Motor Compressors for Refrigeration,  
 undered Sanyo license  
 E-mail : sales\_kpc@kulthorn.com  
 : kamjorn@kulthorn.com



## **THACOM**

### Thai Compressor Manufacturing Co., Ltd.

Company Registration No. : 0105531076303  
 Address : 33/3 Moo 21 Suwintawong Road, Saladang, Bangnumpriao,  
 Chachoengsao 2400  
 Telephone : (038) 593063-67  
 Fax : (038) 593062  
 Product : Rotary compressors for air-conditioner,  
 undered Mitsubishi Heavy Industries license  
 E-mail : thacom@thacom.mhi.co.jp



## **KU** Kulthorn Electric Co., Ltd.

Address : 125 Soi Chalong Krung 31, Chalongkrung Road, Khwaeng  
 Lam Pla Thio, Kheat Lat Krabang, Bangkok 10520 Thailand  
 Telephone : (662) 2326-0527-8, 326-1204-5, 739-4767-8  
 Fax : (662) 326-0128  
 Product : Fractional Horsepower Motors  
 (PSC and Shaded poles) for Air-Conditioners and  
 Refrigeration Units  
 E-mail : ku@kulthorn-electric.com



## **KMC** Kulthorn Materials & Controls Co., Ltd.

Address : 1/2 Moo 22 Suvintawong Road, Saladang  
 Bangnumpeaw, Chachoengsao 24000  
 Telephone : (038) 593030-3  
 Fax : (038) 593028  
 Product : Enameled Copper Wires, Gas Pressure Thermostat  
 E-mail : chamnan@kmc.in.th, prommarat@kmc.in.th



PREMIUM MAGNET COPPER AND ALUMINIUM WIRES FOR HERMETIC MOTORS AND OTHER HOME APPLIANCE MOTORS



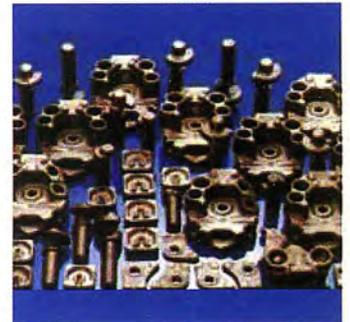
## Suzhou Kulthorn Magnet Wire Co., Ltd.

Address : 18 Long Pu Rd, SIP, Jiangsu Province, 215126 China  
 Telephone : +86 (512) 6283 3750 / +86(512)62650058  
 Fax : +86 (512) 6283 3763  
 Products : Enameled Copper Wires  
 E-mail : sales@pdmagnetwire.com.cn



## Kulthorn Kirby Foundry Co., Ltd.

Company Registration No. : 0105532113601  
 Address : 1 Moo 22 Suwintawong Road, Saladang, Bangnumpeaw, Chachoengsao 24000  
 Telephone : (038) 593016-9  
 Fax : (038) 593015  
 Product : Iron Casting  
 E-mail : direk.t\_kkf@kulthorn.com



## Kulthorn Metal Products Co., Ltd.

Company Registration No. : 0105548043322  
 Address : 123 Soi Chalong Krung 31, Chalongkrung Road , Khwaeng Lamplatew , Khet Ladkrabang Bangkok 10520 Thailand  
 Telephone : (662) 7396638 – 9 , 3260314 – 7  
 Fax : (662) 7396643 , 3260318  
 Products : Metal Forging , Precision Machining , Heat Treatment ( Carburizing )  
 E-mail : chalermchai@kmp05.com



## Kulthorn Steel Co., Ltd.

Company Registration No. : 0105550063921  
 Address : 124 Soi Chalong Krung 31, Chalong Krung Road, Khwaeng Lamplatew, Khet Ladkrabang Bangkok 10520 Thailand  
 Telephone : (662) 7396000  
 Fax : (662) 3260766  
 Products : Slitting, Blanking of Steel Products  
 E-mail : thanawat@kulthorn.com





# KULTHORN KIRBY PUBLIC COMPANY LIMITED

[www.kulthorn.com](http://www.kulthorn.com)

*126 Soi Chalong Krung 31, Chalong Krung Road,  
Lat Krabang Ind. Est., Khwaeng Lam Pla Thio,  
Khet Lat Krabang, Bangkok 10520, Thailand*

*Tel : (662) 326 0831 - 6, 326 0529, 739 4893 - 5*

*Fax : (662) 326 0837, 739 4892*

*E-mail : [kkc@kulthorn.com](mailto:kkc@kulthorn.com)*

*E-mail (Sales Office) : [sales@kulthorn.com](mailto:sales@kulthorn.com)*

*[sales\\_doms@kulthorn.com](mailto:sales_doms@kulthorn.com)*



**KK5/2014/5K**