

Rotary Compressor Specification

—QXR-21E

----R22

For Air Conditioner

Lanhai Compressor Co.,Ltd.

1. Introduction

The compressor designed by china national standard GB/T15765-1995, GB4706.1-1998, GB4706.17-2004 and International standard IEC 60335-2-34:2002. Apply to the R22 refrigerant , ambient temperature range -5~43°C, condensing temperature range 45~65°C air conditioner & similar application equipment.

2. Normal specification

Application	AC Conditioner and heat pump
Compressor Type	Hermetic Rotary Motor Compressor
Refrigerant	R22
Oil Grade • Oil Charge	SUNISO 4GS • 480ml
Paint	Semi-Glossiness Black painting
Weight (including oil)	15.7 k g
Displacement	21.3 cm ³
Suction Tube I.D.	φ 12.8 mm
Discharge Tube I.D.	φ 8.1 mm
Nominal Capacity	3620 W / 12308 BTU
Power Input	1210 W
RLA	5.6 A
COP	2.99 W/W
Noise (SPL)	≤65dB

Lanhai Compressor Co.,Ltd.

Rated Condition

Evaporating Temp.	Condensing Temp.	ReturnGasTemp.	LiquidTemp.	Ambient Temp.
7.2	54.4	35	46.1	35

3. Motor Data

Motor Type	2 Pole Induction (P S C)
Power Supply	220V~50Hz
Insulation Level	B
Winding Resistance (25℃)	Main 2.36 Ω Sub 4.21 Ω
LRA (220V)	28 A
Startup Voltage Range	187V~242V
Running Voltage Range	198V~242V
Run Capacitor	30uF

4. Safe Test Data

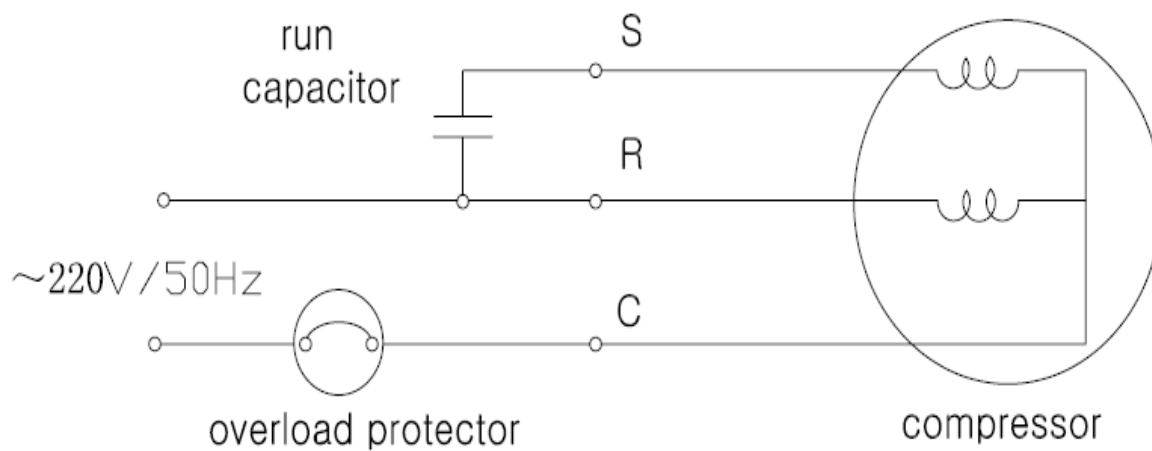
Airproof Test Pressure	High/Low: 2.9Mpa/1.6Mpa
Strength Test Pressure	High/Low: 10.5Mpa/2.2Mpa
Insulating Resistance at Cold State	≥50M Ω
Electric Strength at Cold State	5mA-AC1800V-1 S. /Passed
Moisture Content	≤200mg
Impurity Solids Content	≤100mg
Grounding resistance	≤0.1 Ω

Lanhai Compressor Co.,Ltd.

5. Extreme Limit of Use

ITEM	NORMAL	MAXIMUM
Discharge Pressure	$\leq 2.06\text{Mpa}$	2.6Mpa
Suction Pressure.	0.29~0.59Mpa	0.1~0.69Mpa
Winding Temp.	$\leq 100^{\circ}\text{C}$	125 $^{\circ}\text{C}$
Discharge Tube Temp.	$\leq 100^{\circ}\text{C}$	115 $^{\circ}\text{C}$

6. Wiring Diagram.



7. External View &Dimensions

mm

