



2020 特殊用途压缩机

COMPRESSOR FOR SPECIAL-PURPOSE/SPECIAL-AREA

创新科技 卓越智造
CREATIVE TECHNOLOGY SMART MANUFACTURING



珠海凌达压缩机有限公司 ZHUHAI LANDA COMPRESSOR CO., LTD.
地址：广东省珠海市斗门区龙山工业区龙山大道1号
Add: No.1, Longshan Avenue, Longshan Industrial Zone, Doumen District, Zhuhai, Guangdong, China
销售热线：(国内DDD) 0756-5789988 / (海外IDD) 86-0756-8570372/8570359
Email邮箱：(国内Home-Sales) yh_deng@cn.gree.com / (海外Overseas-Sales) gyzpjyb@cn.gree.com

珠海凌达压缩机有限公司
ZHUHAILANDA COMPRESSOR CO.,LTD.

Contents 目录

01企业简介 Company Profile---(03)

- 企业概况 Brief Introduction---(03)
- 企业荣誉 Company Honors---(04)
- 发展历程 Development Milestones---(05)

02产品介绍 Product Introduction---(07)

- 旋转压缩机 Rotary Compressor---(07)
 - ▶产品命名规则及测试工况 Naming Rules and Test Conditions---(07)
 - ▶热泵热水器压缩机 Compressor for HPWH---(10)
 - ▶除湿机压缩机 Compressor for Dehumidifier---(16)
 - ▶干衣机压缩机 Compressor for HPD---(20)
 - ▶机柜用压缩机 Cabinet Compressor---(24)
 - ▶工业制冷用压缩机 Industrial Refrigeration Compressor---(27)
 - ▶微型压缩机 Mini Compressor---(30)
 - ▶冷冻冷藏压缩机 Compressor for Freezing and Refrigeration---(32)
 - ▶车载压缩机 Vehicle Compressor---(37)
- 压缩机标准尺寸示意图 Compressor Standard Size Diagram---(41)
- 压缩机包装 Packing of Compressor---(48)
- 压缩机标准附件 Compressor Standard Accessories---(49)

03技术服务 Technical Services---(50)

企业概况 Brief Introduction

珠海凌达压缩机有限公司始建于1985年，是一家集研发、生产、销售、服务于一体的空调压缩机专业生产企业，同时也是我国家用空调压缩机行业较早且少有具有规模化、专业化的民族企业。2004年成为珠海格力电器股份有限公司全资控股子公司。

公司致力于打造引领压缩机行业的绿色环保高新技术企业，目前拥有五大生产基地，三个办事处，公司现有员工10000余人，其中技术管理人员1300余人，专职从事研发人员有600余人，压缩机年产能达6000万台。



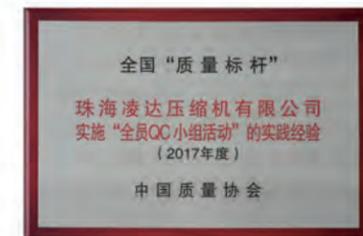
Founded in 1985, Zhuhai Landa Compressor Co., Ltd. is a large-scale, professional and domestic compressor manufacturer, mainly specializing in R&D, production, sales and services of the air-conditioner compressor. In 2004, Landa became a subsidiary wholly owned by Gree Electric Appliances.

Landa is committed to creating a high tech and green enterprise leading in the compressor industry. So far, the company has 5 production bases, 3 offices and over 10,000 employees, including 1300 technical and administrative staffs and more than 600 R&D technicians, with the annual capacity of 60 million units.

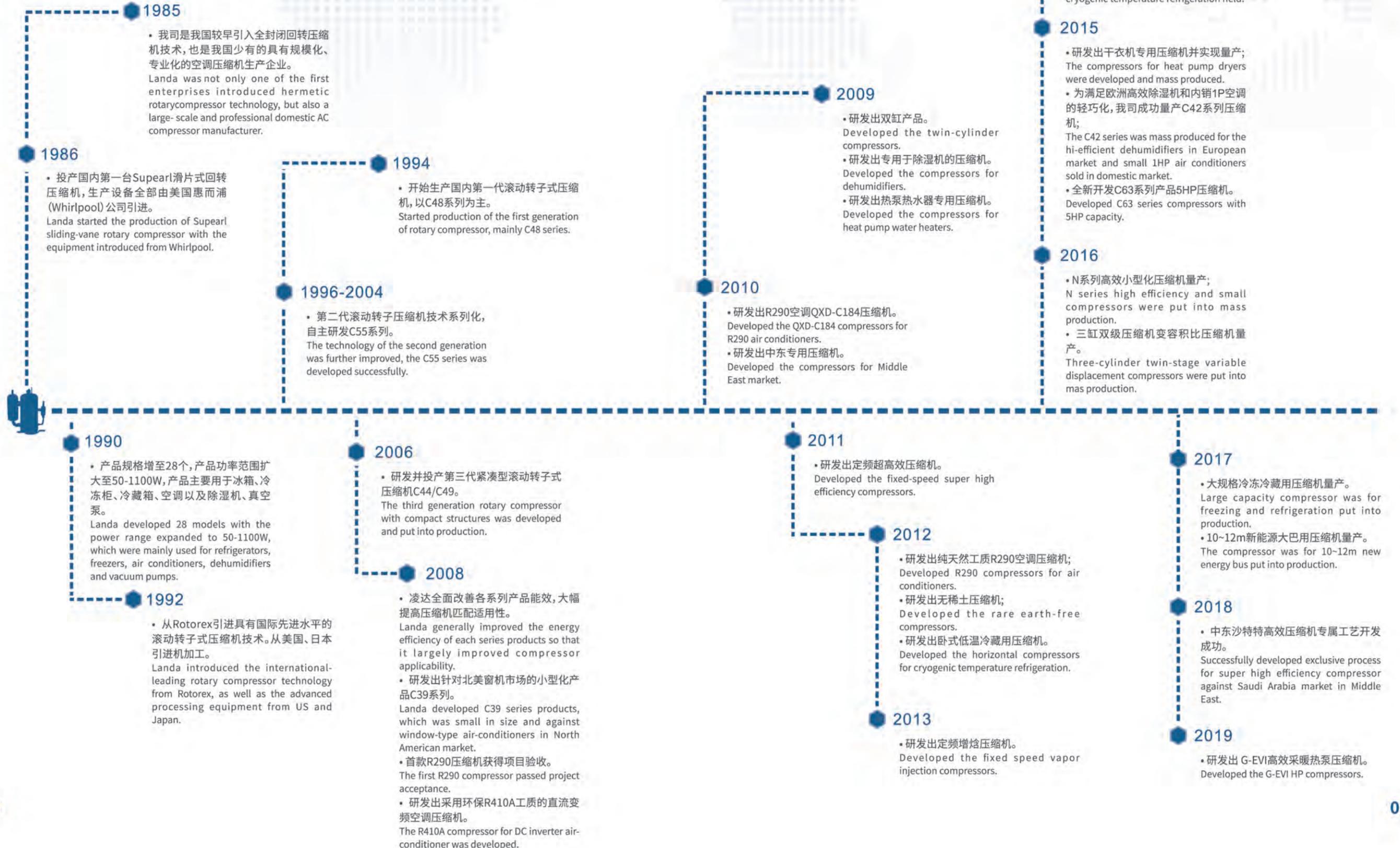
企业荣誉 Company Honors

在不断追求卓越的道路上，珠海凌达也得到社会各级政府及协会的认可，获得了包括“全国质量奖”、“国家知识产权示范企业”、“高新技术企业”、“全国质量标杆”、“中国轻工百强”“广东省政府质量奖”、“广东省重点企业技术中心”、“广东省工程技术研究中心”、“广东省知识产权示范企业”、“广东省名牌产品”、“珠海市市长质量奖”等多项荣誉。

On the way to make progress, Zhuhai Landa has been recognized by the government and associations at all levels with honors, such as The 18th China Quality Award, the National Intellectual Property Demonstration Enterprise, High and New-Technology Enterprise, National Quality Benchmarking Enterprise, Top 100 Enterprises in National Light Industry, Guangdong Governmental Quality Award, Guangdong Key Enterprise Technical Center, Guangdong Engineering Technology Center, Guangdong Intellectual Property Demonstration Enterprise, Guangdong Famous Brand, Zhuhai Mayor Quality Award, etc.

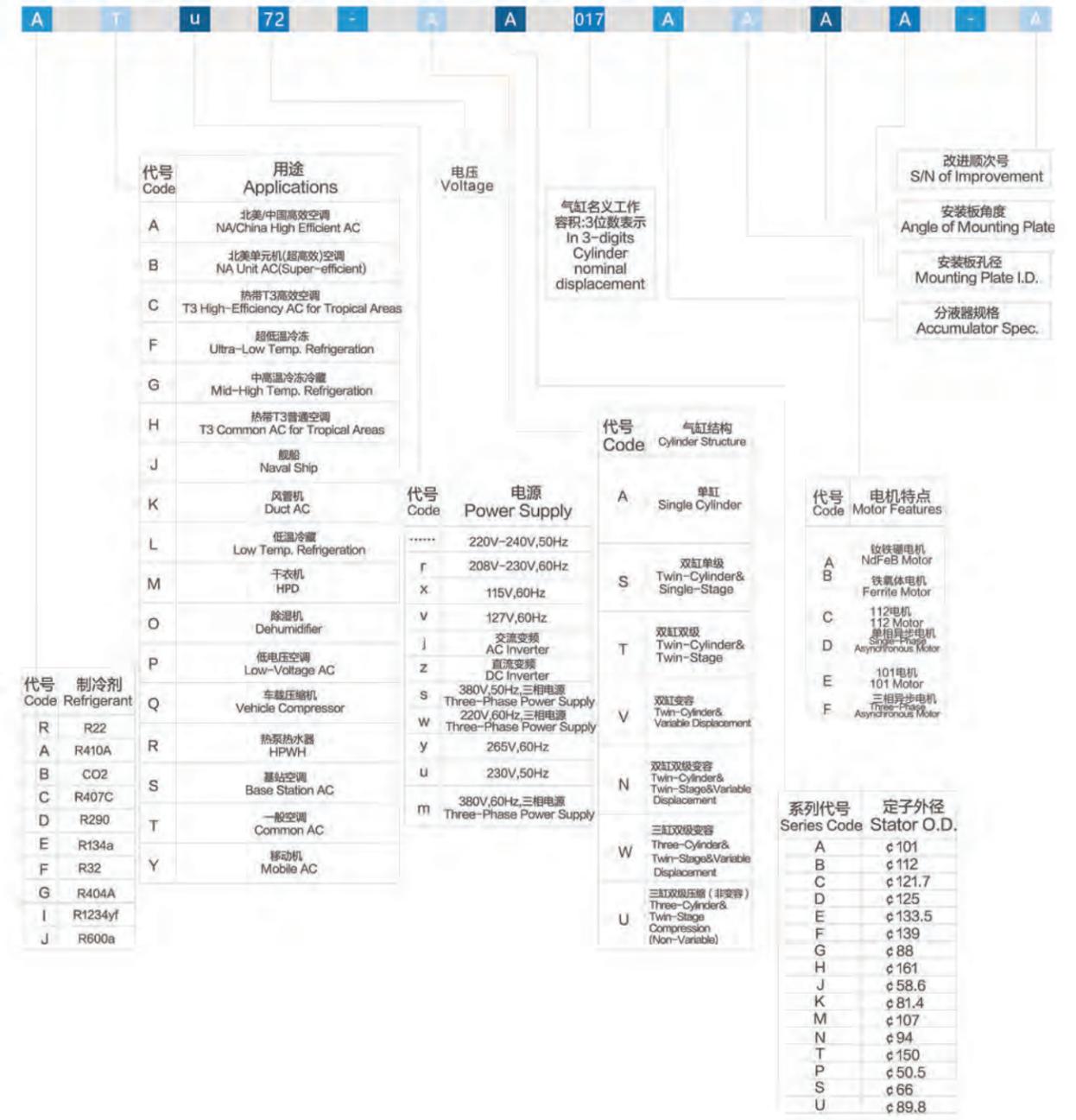
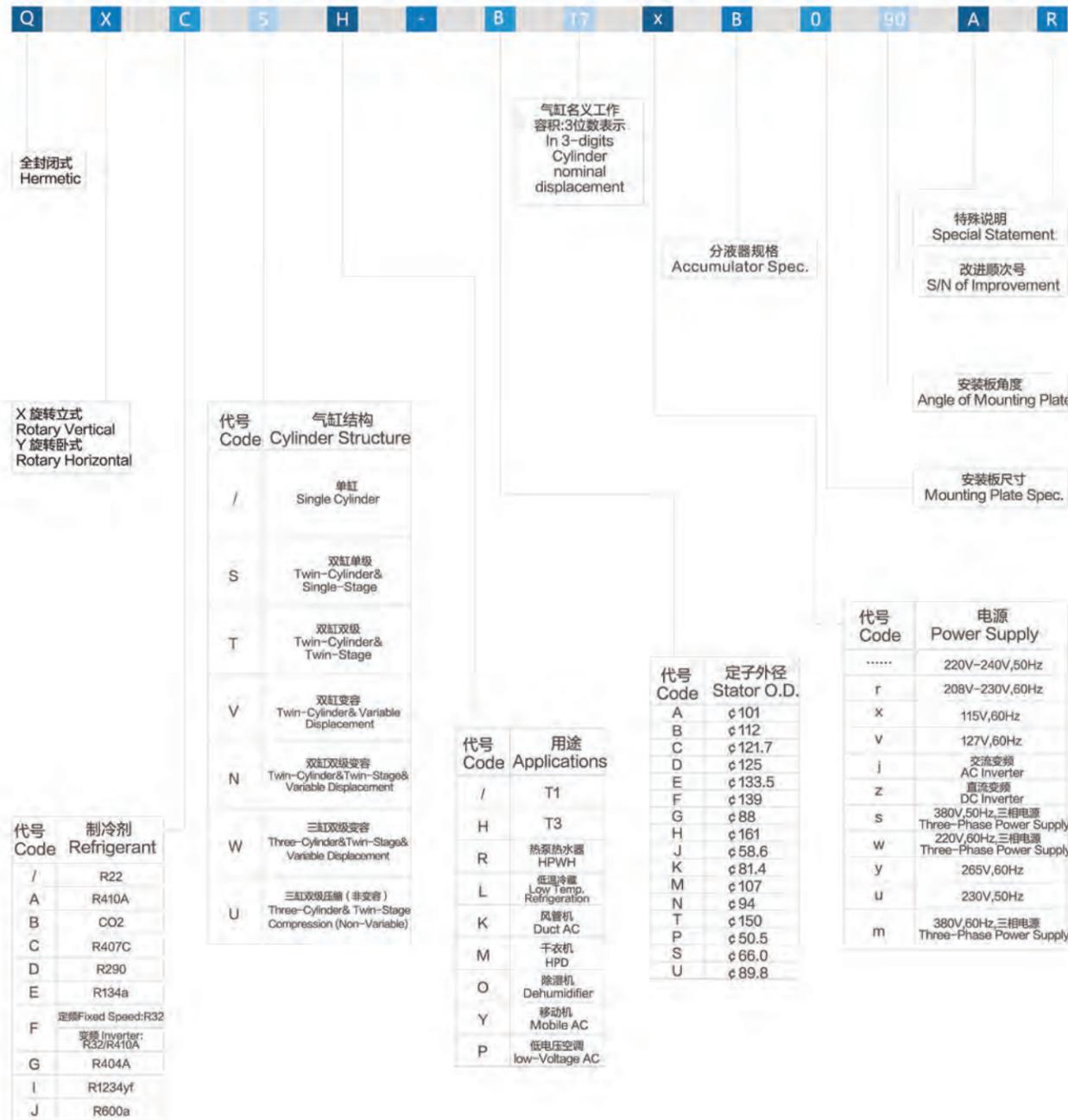


发展历程 Development Milestones



产品命名规则 Naming Rules

旋转压缩机 Rotary Compressor



旋转式压缩机测试工况 Test Conditions

| 适用工况 Applicable Working Conditions | 冷凝温度°C Condensing Temp. | 蒸发温度°C Evaporating Temp. | 过冷度°C Supercooling Degree | 吸气温度°C Suction Temp. | 环境温度°C Ambient Temp. |
|---|----------------------------|-----------------------------|------------------------------|-------------------------|-------------------------|
| ASHRAE/T | 54.4 | 7.2 | 8.3 | 35 | 35 |
| 国标高效工况 GB Hi-efficiency Working Condition | 46 | 7.2 | 8.3 | 18.3 | 35 |
| 高效工况 Hi-efficiency Working Condition | 45 | 7.2 | 8.3 | 18.3 | 35 |
| 北美高效工况 High-energy/efficiency Condition for North America | 45 | 12 | 5 | 24 | 35 |
| 干衣机工况 HPD condition | 70 | 25 | 9 | 35 | 35 |
| 冷冻冷藏工况 Freezing/Refrigeration Condition | 54.4 | -23.3 | 22.2 | 18.3 | 32.2 |
| 变频工况 Inverter Condition | 46 | 10 | 5 | 18 | 35 |
| 变频高效工况 Inv. High Energy Efficiency Condition | 49 | 10.5 | 8 | 24 | 35 |
| 热泵工况 Heat Pump Working Condition | 60 | 10 | 50 | 20 | 35 |

COMPRESSOR FOR HPWH 热泵热水器压缩机

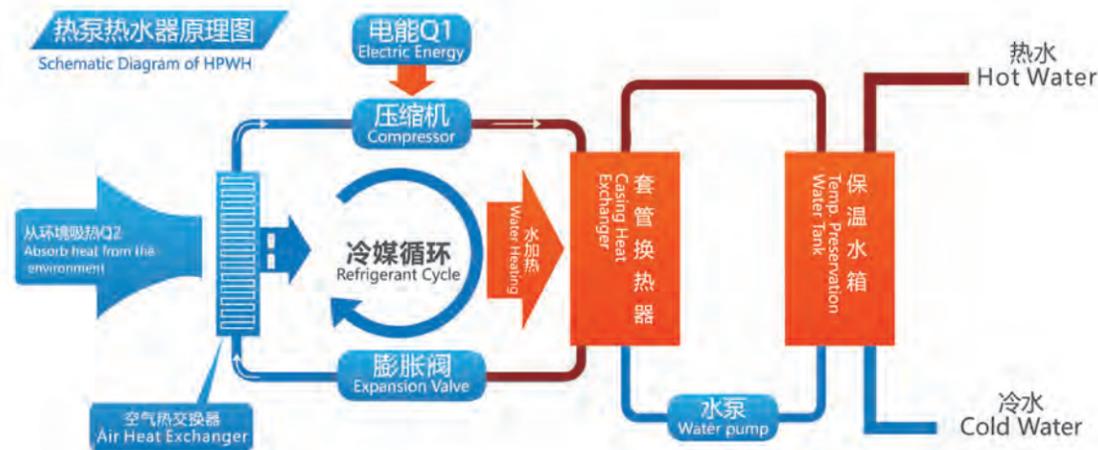


① 热泵热水器压缩机 Compressor for HPWH

制热原理 Heating Principle

低温低压气态冷媒进入压缩机,通过压缩机压缩后,形成高温高压气态冷媒;然后通过套管换热器,给冷水加热,水温升高,从而得到热水,此时,形成中温高压液态冷媒;然后通过膨胀阀(或毛细管),形成中温低压气液混合冷媒;最后通过空气热交换器,在风扇作用下,从环境吸热,形成低温低压气态冷媒。

The low-temp. & low pressure gas refrigerant enters the compressor and is compressed to form a high-temp. & high-pressure gas refrigerant. Then, the casing heat exchanger is used to heat the cold water, and the water temp. is raised to obtain hot water, during this time, a medium-temp. & high pressure liquid refrigerant is formed, after that, a medium-temp. & low pressure gas-liquid mixed refrigerant come into being based on the expansion valve (or capillary). Finally, through the air heat exchanger, under the action of the fan, heat is absorbed from the environment to form a low-temp. & low pressure gas refrigerant.



冷媒系列产品特点: Features of R290/R22/R410A/R134a Series Products

| R22系列产品特点 Features of R22 Series Products | R410A系列产品特点 Features of R410A Series Products |
|--|---|
| <ul style="list-style-type: none"> ●小型化: 同制热量下尺寸小 Miniaturization: Small size under the same heating capacity. ●高出水温度: 最高出水温度可达65°C Hot water temp.: The highest water temp. up to 65 degrees centigrade. ●超长使用寿命: 设计寿命达10年 Ultra-long service life: 10 years. ●低噪声/低振动: 超静音无察觉运行 Low noise/vibration: Ultra-quiet operation. ●全年高效运行: 耗电量为普通电热热水器的1/4 Energy efficient operation: Power consumption is a quarter of an ordinary electric water heater. ●低温制热特性优良: 低环温下制热效果衰减少 Excellent heating performance: Good heating effect at low ambient temperatures. | <ul style="list-style-type: none"> ●环保冷媒: 臭氧层破坏潜能ODP=0 Eco-friendly refrigerant: ODP equals to zero. ●高出水温度: 最高出水温度可达65°C Hot water temp.: The highest water temp. up to 65 degrees centigrade. ●超长使用寿命: 设计寿命达10年 Ultra-long service life: 10 years. ●低噪声/低振动: 超静音无察觉运行 Low noise/vibration: Ultra-quiet operation. ●超低温环温制热: -15°C下制热不衰减 Excellent heating performance: The heating capacity will not reduced at minus 15 degrees centigrade. |
| R134a系列产品特点 Features of R134a Series Products | R290系列产品特点 Features of R290 Series Products |
| <ul style="list-style-type: none"> ●环保冷媒: 臭氧层破坏潜能ODP=0 Eco-friendly refrigerant: ODP equals to zero. ●高出水温度: 最高出水温度可达76°C Hot water temp.: The highest water temp. up to 76 degrees centigrade. ●超长使用寿命: 设计寿命达10年 Ultra-long service life: 10 years. ●低噪声/低振动: 超静音无察觉运行 Low noise/vibration: Ultra-quiet operation. ●全年高效运行: 耗电量为普通电热热水器的1/4 Energy efficient operation: Power consumption is a quarter of an ordinary electric water heater. | <ul style="list-style-type: none"> ●环保冷媒: 臭氧层破坏潜能ODP=0 Eco-friendly refrigerant: ODP equals to zero. ●高出水温度: 最高出水温度可达65°C Hot water temp.: The highest water temp. up to 65 degrees centigrade. ●超长使用寿命: 设计寿命达10年 Ultra-long service life: 10 years. ●低噪声/低振动: 超静音无察觉运行 Low noise/vibration: Ultra-quiet operation. ●低温制热特性优良: 低环温下制热效果衰减少 Excellent heating performance: Good heating effect at low ambient temperatures. |

①热泵热水器压缩机 Compressor for HPWH

压缩机型谱 Product Spectrum

| 热泵热水器压缩机 HP Compressor | | | | | | | | | | | | | |
|------------------------|-------------------------------|------------------------|------|------|-------|-------|-------|-------|-------|-------|-------|-------|-------|
| 产品类别 Product Category | | 压缩机能力范围 Capacity Range | | | | | | | | | | | |
| 冷媒 Refrigerant | 电压/频率 Voltage V/ Frequency | BTU/h | 1706 | 8530 | 15354 | 22178 | 29002 | 35826 | 42650 | 49474 | 56298 | 63122 | 69946 |
| | | W | 500 | 2500 | 4500 | 6500 | 8500 | 10500 | 12500 | 14500 | 16500 | 18500 | 20500 |
| R22 | 220-240V 50Hz | (6500-22000 BTU/h) | | | | | | | | | | | |
| R134a | 220-240V 50Hz | (4000-16000 BTU/h) | | | | | | | | | | | |
| R290 | 220-240V 50Hz | (2500-4700 BTU/h) | | | | | | | | | | | |
| R410A | DC | (15000-62000 BTU/h) | | | | | | | | | | | |
| | 220-240V 50Hz & 208-230V 60Hz | (14000-52000 BTU/h) | | | | | | | | | | | |
| | 380V 50Hz | (50000-66000 BTU/h) | | | | | | | | | | | |

压缩机产品规格 Compressor Spec.

R290 T1 [1φ]220-240V 50Hz

| 系列 Series | 压缩机型号 Model | 排量 Displ.(cc) | 冷量 Capacity (Btu/h) | 制冷量 Refrigerating Capacity (W) | 功率 Power (W) | COP (W/W) | 频率 Frequency(Hz) | 测试工况 Test Conditions | 压缩机高度 Compressor Height (mm) | 排气管内径 Discharge Pipe ID (mm) | 回气管内径 Suction Pipe ID (mm) |
|-----------|-------------|---------------|---------------------|--------------------------------|--------------|-----------|------------------|----------------------|------------------------------|------------------------------|----------------------------|
| A | QXDR-A058 | 5.8 | 2799 | 820 | 270 | 3.04 | 10uF/450V | ASHRAE/T | 203 | 6.2 | 9.7 |
| | QXDR-A088 | 8.8 | 4642 | 1360 | 425 | 3.20 | 20uF/450V | ASHRAE/T | 219 | 6.2 | 9.7 |

R290 DC Inverter

| 系列 Series | 压缩机型号 Model | 排量 Displ.(cc) | 冷量 Capacity (Btu/h) | 制冷量 Refrigerating Capacity (W) | 功率 Power (W) | COP (W/W) | 频率 Frequency(Hz) | 测试工况 Test Conditions | 压缩机高度 Compressor Height (mm) | 排气管内径 Discharge Pipe ID (mm) | 回气管内径 Suction Pipe ID (mm) |
|-----------|----------------|---------------|---------------------|--------------------------------|--------------|-----------|------------------|-------------------------|------------------------------|------------------------------|----------------------------|
| B | DRz-AB160 AEBA | 16 | 11913 | 3490 | 722 | 4.83 | 60Hz | 变频工况 Inverter Condition | 235 | 8.2 | 12.87 |
| M | DRz-SM218AXBA | 21.8 | 16240 | 4760 | 991 | 4.8 | 60Hz | 变频工况 Inverter Condition | 240 | 8.2 | 12.87 |
| D | DRz-AD305AEBA | 30.5 | 22709 | 6660 | 1373 | 4.85 | 60Hz | 变频工况 Inverter Condition | 250 | 8.2 | 12.87 |

R22 T1 [1φ]220-240V 50Hz

| 系列 Series | 压缩机型号 Model | 排量 Displ.(cc) | 冷量 Capacity (Btu/h) | 制冷量 Refrigerating Capacity (W) | 功率 Power (W) | COP (W/W) | 电容 Capacitor(μF) | 测试工况 Test Conditions | 压缩机高度 Compressor Height (mm) | 排气管内径 Discharge Pipe ID (mm) | 回气管内径 Suction Pipe ID (mm) |
|-----------|-------------|---------------|---------------------|--------------------------------|--------------|-----------|------------------|---------------------------|------------------------------|------------------------------|----------------------------|
| B | QXR-B120 | 12 | 6909 | 2025 | 730 | 2.77 | 25 | 热泵工况 HP Working Condition | 280 | 9.7 | 12.2 |
| | QXR-B15 | 15 | 8803 | 2580 | 940 | 2.75 | 35 | 热泵工况 HP Working Condition | 269 | 9.7 | 12.2 |
| | QXR-B160※ | 16 | 9305 | 2727 | 1027 | 2.68 | 35 | 热泵工况 HP Working Condition | 259 | 8.2 | 9.7 |
| | QXR-B217※ | 21.7 | 12966 | 3800 | 1365 | 2.78 | 45 | 热泵工况 HP Working Condition | 281 | 9.7 | 12.2 |
| C | QXR-C193 | 19.3 | 10580 | 3100 | 1030 | 3.01 | 35 | ASHRAE/T | 297 | 9.7 | 12.2 |
| | QXR-C238 | 23.8 | 13822 | 4050 | 1460 | 2.7 | 35 | 热泵工况 HP Working Condition | 297 | 9.7 | 12.2 |

R22 T1 [1φ]220-240V 50Hz

| 系列 Series | 压缩机型号 Model | 排量 Displ.(cc) | 冷量 Capacity (Btu/h) | 制冷量 Refrigerating Capacity (W) | 功率 Power (W) | COP (W/W) | 电容 Capacitor(μF) | 测试工况 Test Conditions | 压缩机高度 Compressor Height (mm) | 排气管内径 Discharge Pipe ID (mm) | 回气管内径 Suction Pipe ID (mm) |
|-----------|--------------|---------------|---------------------|--------------------------------|--------------|-----------|------------------|----------------------|------------------------------|------------------------------|----------------------------|
| F | QXR-F232F030 | 23.2 | 13477 | 3950 | 1290 | 3.05 | 50uF/450V | ASHRAE/T | 326 | 9.7 | 12.87 |
| | QXR-F305F050 | 30.7 | 17913 | 5250 | 1690 | 3.12 | 60uF/450V | ASHRAE/T | 326 | 9.7 | 16.2 |
| | QXR-F36F050 | 35.6 | 20916 | 6130 | 1975 | 3.1 | 50uF/450V | ASHRAE/T | 343 | 9.7 | 16.2 |

R134a T1 [1φ]220-240V 50Hz

| 系列 Series | 压缩机型号 Model | 排量 Displ.(cc) | 冷量 Capacity (Btu/h) | 制冷量 Refrigerating Capacity (W) | 功率 Power (W) | COP (W/W) | 电容 Capacitor(μF) | 测试工况 Test Conditions | 压缩机高度 Compressor Height (mm) | 排气管内径 Discharge Pipe ID (mm) | 回气管内径 Suction Pipe ID (mm) |
|-----------|-------------|---------------|---------------------|--------------------------------|--------------|-----------|------------------|---------------------------|------------------------------|------------------------------|----------------------------|
| B | QXER-B109 | 10.9 | 4260 | 1250 | 410 | 3.05 | 25uF/450V | 热泵工况 HP Working Condition | 275 | 9.7 | 12.2 |
| | QXER-B122 | 12.2 | 4910 | 1440 | 472 | 3.05 | 25uF/450V | 热泵工况 HP Working Condition | 275 | 9.7 | 12.2 |
| C | QXER-C18 | 18.0 | 7160 | 2100 | 700 | 3.00 | 30uF/450V | 热泵工况 HP Working Condition | 297 | 9.7 | 12.2 |
| F | QXER-F36 | 35.6 | 15174 | 4450 | 1450 | 3.06 | 50uF/450V | 热泵工况 HP Working Condition | 343 | 9.7 | 16.2 |

单双缸补气增焓压缩机 R410A DC Inverter

| 系列 Series | 压缩机型号 Model | 排量 Displ.(cc) | 热量 Capacity (Btu/h) | 制热量 Heating Capacity (W) | 功率 Power (W) | COP (W/W) | 频率 Frequency(Hz) | 测试工况 Test Conditions | 压缩机高度 Compressor Height (mm) | 排气管内径 Discharge Pipe ID (mm) | 回气管内径 Suction Pipe ID (mm) |
|-----------|------------------|---------------|---------------------|--------------------------|--------------|-----------|------------------|----------------------|------------------------------|------------------------------|----------------------------|
| N | ※ARz-SN150AXBA | 15 | 21134 | 6194 | 1564 | 3.96 | 60Hz | ASHRAE/T | 287 | 8.2 | 12.87 |
| A | ARz-AA106AHBF | 10.6 | 15211 | 4458 | 1125 | 3.96 | 60Hz | ASHRAE/T | 239 | 8.2 | 12.87 |
| M | ARz-SM141AXBA | 14.1 | 19483 | 5710 | 1465 | 3.9 | 60Hz | ASHRAE/T | 267 | 8.2 | 12.2 |
| D | ATz-SD190AHAF | 19 | 27501 | 8060 | 2069 | 3.89 | 60Hz | ASHRAE/T | 336.5 | 9.7 | 16.2 |
| F | ARz-SF420AXEB-A | 42 | 61382 | 17990 | 4610 | 3.9 | 60Hz | ASHRAE/T | 345.5 | 9.7 | 16.2 |
| | ※ARz-SF420AXEB-B | 42 | 61484 | 18020 | 4500 | 4 | 60Hz | ASHRAE/T | 360.5 | 9.7 | 16.2 |

双级增焓压缩机 R410A [1φ]220-240V 50Hz

| 系列 Series | 压缩机型号 Model | 排量 Displ.(cc) | 热量 Capacity (Btu/h) | 制热量 Heating Capacity (W) | 功率 Power (W) | COP (W/W) | 电容 Capacitor(μF) | 测试工况 Test Conditions | 压缩机高度 Compressor Height (mm) | 排气管内径 Discharge Pipe ID (mm) | 回气管内径 Suction Pipe ID (mm) |
|-----------|--------------|---------------|---------------------|--------------------------|--------------|-----------|------------------|----------------------|------------------------------|------------------------------|----------------------------|
| B | AR-TB121DFAB | 12.1 | 14440 | 4232 | 1125 | 3.76 | 30uF/450V | ASHRAE/T | 308 | 9.7 | 12.2 |
| D | AR-TD159DFAA | 15.9 | 18493 | 5420 | 1420 | 3.82 | 45uF/450V | ASHRAE/T | 348.5 | 9.7 | 12.2 |
| | AR-TD200DFAA | 20 | 23321 | 6835 | 1785 | 3.83 | 45uF/450V | ASHRAE/T | 358.5 | 9.7 | 12.2 |
| F | AR-TF310DNAB | 31 | 37157 | 10930 | 2890 | 3.78 | 60uF/450V | ASHRAE/T | 393 | 9.7 | 16.2 |
| H | AR-TH420DNDA | 42 | 51180 | 15000 | 3920 | 3.83 | 75uF/450V | ASHRAE/T | 466.7 | 9.7 | 16.2 |

①热泵热水器压缩机 Compressor for HPWH

双级增焓压缩机 R410A [1φ]208-230V 60Hz

| 系列 Series | 压缩机型号 Model | 排量 Displ.(cc) | 热量 Capacity (Btu/h) | 制热量 Heating Capacity (W) | 功率 Power (W) | COP (W/W) | 电容 Capacitor(μF) | 测试工况 Test Conditions | 压缩机高度 Compressor Height (mm) | 排气管内径 Discharge Pipe ID (mm) | 回气管内径 Suction Pipe ID (mm) |
|--------------|----------------|------------------|---------------------------|--------------------------------|-----------------|--------------|---------------------|-------------------------|------------------------------------|------------------------------------|----------------------------------|
| B | ATr-TB121DFAA | 12.1 | 17435 | 5110 | 1340 | 3.8 | 40uF/450V | ASHRAE/T | 308 | 9.7 | 12.2 |

双级增焓压缩机 R410A [3φ]380V 50Hz

| 系列 Series | 压缩机型号 Model | 排量 Displ.(cc) | 热量 Capacity (Btu/h) | 制热量 Heating Capacity (W) | 功率 Power (W) | COP (W/W) | 电容 Capacitor(μF) | 测试工况 Test Conditions | 压缩机高度 Compressor Height (mm) | 排气管内径 Discharge Pipe ID (mm) | 回气管内径 Suction Pipe ID (mm) |
|--------------|----------------|------------------|---------------------------|--------------------------------|-----------------|--------------|---------------------|-------------------------|------------------------------------|------------------------------------|----------------------------------|
| H | ARs-TH420FNDA | 42 | 51521 | 15100 | 3900 | 3.87 | / | ASHRAE/T | 452 | 12.87 | 16.2 |
| | ※ARs-TH530FNDA | 53 | 65681 | 19250 | 5000 | 3.85 | / | ASHRAE/T | 477.5 | 12.87 | 16.2 |

双级增焓压缩机 R410A DC Inverter

| 系列 Series | 压缩机型号 Model | 排量 Displ.(cc) | 热量 Capacity (Btu/h) | 制热量 Heating Capacity (W) | 功率 Power (W) | COP (W/W) | 测试频率 Test Frequency | 测试工况 Test Conditions | 压缩机高度 Compressor Height (mm) | 排气管内径 Discharge Pipe ID (mm) | 回气管内径 Suction Pipe ID (mm) |
|--------------|-----------------|------------------|---------------------------|--------------------------------|-----------------|--------------|------------------------|-------------------------|------------------------------------|------------------------------------|----------------------------------|
| D | ATz-TD200AFAA | 20 | 30025 | 8800 | 2360 | 3.73 | 60Hz | ASHRAE/T | 333 | 9.7 | 12.2 |
| F | ATz-TF310ANAB-A | 31 | 48791 | 14300 | 3700 | 3.86 | 60Hz | ASHRAE/T | 381 | 9.7 | 16.2 |

备注: 型号带“※”,代表开发中。“▲”代表推荐机型。
 Note: A model with “※” is under development.
 A model with “▲” is the recommended model.

 COMPRESSOR
FOR DEHUMIDIFIER
除湿机压缩机


②除湿机压缩机 Compressor for Dehumidifier

■ 技术特点 Technical Features

A 静音舒适 Quiet and comfortable

•超静音、低振动，噪音比国标低3分贝 Ultra-quiet, low vibration, the noise is 3dB lower than the national standard.

B 动力强劲 Strong power

•COP高达3.3，除湿强度大 COP as high as 3.3, with strong dehumidifying strength.

C 结构紧凑 Compact structure

•小型化轻量设计，结构更紧凑 Small,light and compact.

D 环保冷媒 Eco-friendly refrigerant

•R290环保冷媒，已获得VDE认证 R290 Adopt R290 eco-friendly refrigerant, certified by VDE.

E 寿命更长 Longer life

•全新冷冻油，长期可靠运行 New refrigerating oil ensures long-term and reliable operation.

■ 压缩机谱 Product Spectrum

| 除湿机压缩机 Compressor for Dehumidifier | | | | | | | | | | |
|------------------------------------|----------------------------|------------------------|------|------|------|------|------|------|------|------|
| 产品类别 Product Category | | 压缩机能力范围 Capacity Range | | | | | | | | |
| 冷媒 Refrigerant | 电压/频率 Voltage V/ Frequency | BTU/h | 1024 | 1518 | 3071 | 4094 | 5118 | 6210 | 7165 | 9008 |
| | | W | 300 | 445 | 900 | 1200 | 1500 | 1820 | 2100 | 2640 |
| R410A | 115V/60Hz | (4096-8389 BTU/h) | | | | | | | | |
| R290 | 220-240V 50Hz | (1507-6210 BTU/h) | | | | | | | | |
| R134a | 220-240V 50Hz | (1280-2730 BTU/h) | | | | | | | | |

■ 压缩机产品规格 Compressor Spec.

R410A T1 [1φ]115V 60Hz

| 系列 Series | 压缩机型号 Model | 排量 Displ.(cc) | 冷量 Capacity (Btu/h) | 制冷量 Refrigerating Capacity (W) | 功率 Power (W) | COP (W/W) | 电容 Capacitor(μF) | 测试工况 Test Conditions | 压缩机高度 Compressor Height (mm) | 排气管内径 Discharge Pipe ID (mm) | 回气管内径 Suction Pipe ID (mm) |
|-----------|-------------|---------------|---------------------|--------------------------------|--------------|-----------|------------------|--|------------------------------|------------------------------|----------------------------|
| G | QXA-G033x | 3.3 | 4096 | 1200 | 290 | 4.15 | 20uF/250V | 北美高能效工况 Hi-energy efficiency Condition for North America | 163 | 6.2 | 9.7 |
| | QXA-G036x | 3.6 | 4437 | 1300 | 310 | 4.20 | 20uF/250V | 北美高能效工况 Hi-energy efficiency Condition for North America | 173 | 6.2 | 9.7 |
| | QXA-G048x | 4.8 | 5973 | 1750 | 400 | 4.35 | 35uF/250V | 北美高能效工况 Hi-energy efficiency Condition for North America | 188 | 6.2 | 9.7 |
| | QXA-G050x | 5.0 | 6246 | 1830 | 430 | 4.25 | 35uF/250V | 北美高能效工况 Hi-energy efficiency Condition for North America | 183 | 6.2 | 9.7 |
| N | ※QXA-N069x | 6.9 | 9010 | 2640 | 585 | 4.51 | 35uF/250V | 北美高能效工况 Hi-energy efficiency Condition for North America | 195 | 8.2 | 9.7 |

R290 T1 [1φ]220-240V 50Hz

| 系列 Series | 压缩机型号 Model | 排量 Displ.(cc) | 冷量 Capacity (Btu/h) | 制冷量 Refrigerating Capacity (W) | 功率 Power (W) | COP (W/W) | 电容 Capacitor(μF) | 测试工况 Test Conditions | 压缩机高度 Compressor Height (mm) | 排气管内径 Discharge Pipe ID (mm) | 回气管内径 Suction Pipe ID (mm) |
|-----------|-------------|---------------|---------------------|--------------------------------|--------------|-----------|------------------|----------------------|------------------------------|------------------------------|----------------------------|
| G | QXD-G033 | 3.3 | 1519 | 445 | 190 | 2.35 | 6.5uF/450V | ASHRAE/T | 153 | 6.2 | 9.7 |
| | QXD-G050 | 5.0 | 2389 | 700 | 280 | 2.50 | 12uF/450V | ASHRAE/T | 158 | 6.2 | 9.7 |
| | QXD-G058 | 5.8 | 2799 | 820 | 315 | 2.60 | 6.5uF/450V | ASHRAE/T | 163 | 6.2 | 9.7 |
| | QXD-G062 | 6.2 | 3020 | 885 | 340 | 2.60 | 12uF/450V | ASHRAE/T | 167 | 6.2 | 9.7 |
| | ※QXD-G081 | 8.1 | 4027 | 1180 | 410 | 2.88 | 15uF/450V | ASHRAE/T | 188 | 6.2 | 9.7 |
| A | QXD-A121 | 12.1 | 6210 | 1820 | 607 | 3.00 | 20uF/450V | ASHRAE/T | 208 | 6.2 | 9.7 |

②除湿机压缩机 Compressor for Dehumidifier

R134a T1 [1φ]220-240V 50Hz

| 系列 Series | 压缩机型号 Model | 排量 Displ.(cc) | 冷量 Capacity (Btu/h) | 制冷量 Refrigerating Capacity (W) | 功率 Power (W) | COP (W/W) | 电容 Capacitor(μF) | 测试工况 Test Conditions | 压缩机高度 Compressor Height (mm) | 排气管内径 Discharge Pipe ID (mm) | 回气管内径 Suction Pipe ID (mm) |
|--------------|----------------|------------------|---------------------------|--------------------------------------|-----------------|--------------|---------------------|-------------------------|------------------------------------|------------------------------------|----------------------------------|
| G | QXE-G036 | 3.6 | 1280 | 375 | 160 | 2.35 | 7.5uF/450V | ASHRAE/T | 143 | 6.2 | 9.7 |
| | QXE-G064 | 6.4 | 2390 | 700 | 260 | 2.70 | 10uF/450V | ASHRAE/T | 163 | 6.2 | 9.7 |
| | QXE-G073 | 7.3 | 2730 | 800 | 295 | 2.70 | 10uF/450V | ASHRAE/T | 163 | 6.2 | 9.7 |

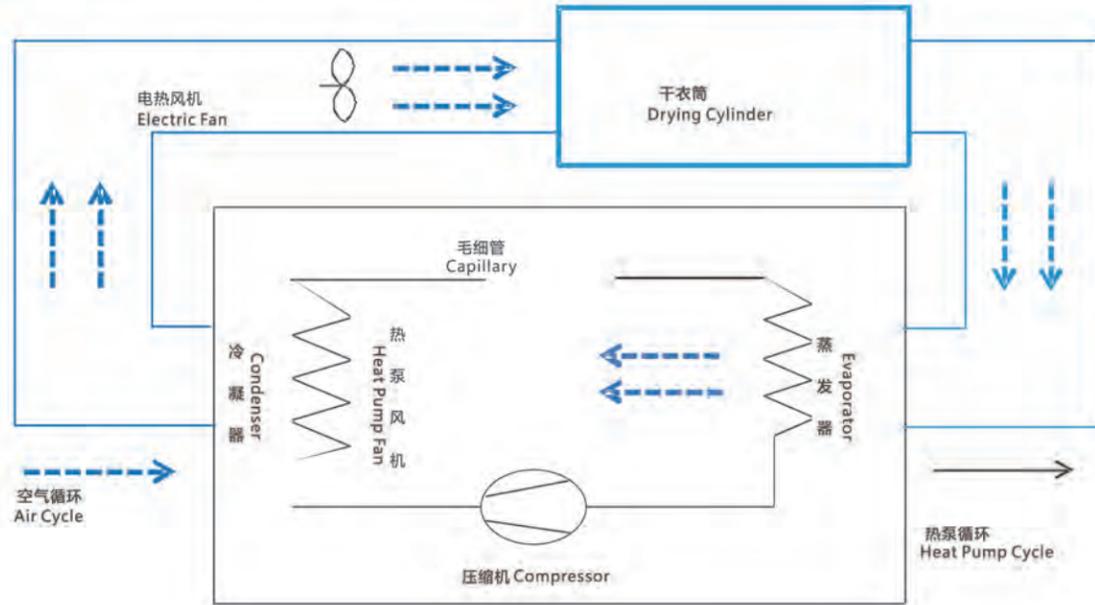
备注: 型号带“※”,代表开发中。“▲”代表推荐机型。
 Note: A model with “※” is under development.
 A model with “▲” is the recommended model.

COMPRESSOR
FOR HPD
干衣机压缩机



③干衣机压缩机 Compressor for HPD

工作原理 Operating Principle



压缩机为热泵循环提供动力，冷凝器加热循环空气，产生高温的干燥空气，风机将干燥空气吹送进干衣筒，干燥空气与湿衣物进行热湿交换，吸收水分形成低温潮湿空气，排出干衣筒后经过蒸发器，被冷却至冷凝水析出。

The compressor provides the power to the heat pump cycle. The condenser heats the circulating air to generate high temperature dry air, the fan blows the dry air into the drying cylinder, so as to exchange heat and moisture with the wet clothes to absorb the water to form a low temperature humid air. After discharging from the drying cylinder, it passes through the evaporator and cooled until the condensed water is precipitated.

技术特点 Technical Features

A 环保冷媒 Eco-friendly refrigerant

•臭氧层破坏潜能ODP=0 ODP equals to zero.

B 超长使用寿命 Ultra-long service life

•设计寿命达10年 Ultra-long service life: 10 years.

C 低噪声/低震动 Low noise/vibration

•超静音无察觉运行 Low noise/vibration: Ultra-quiet operation.

D 节能高效 Energy efficient

•能效比更高 With higher COP.

压缩机型谱 Product Spectrum

| 干衣机压缩机 Compressor for HPD | | | | | | | | | | |
|---------------------------|----------------------------|------------------------|------|------|------|------|-------|-------|-------|-------|
| 产品类别 Product Category | | 压缩机能力范围 Capacity Range | | | | | | | | |
| 冷媒 Refrigerant | 电压/频率 Voltage V/ Frequency | BTU/h | 2730 | 4777 | 6824 | 8871 | 10918 | 12966 | 15013 | 17060 |
| | | W | 800 | 1400 | 2000 | 2600 | 3200 | 3800 | 4400 | 5000 |
| R134a | 220-240V/50Hz | (4500-11000 BTU/h) | | | | | | | | |
| R290 | 220-240V/50Hz | (4000-6000 BTU/h) | | | | | | | | |

压缩机产品规格 Compressor Spec.

R134a T1 [1φ]220-240V 50Hz

| 系列 Series | 压缩机型号 Model | 排量 Displ.(cc) | 冷量 Capacity (Btu/h) | 制冷量 Refrigerating Capacity (W) | 功率 Power (W) | COP (W/W) | 电容 Capacitor(μF) | 测试工况 Test Conditions | 压缩机高度 Compressor Height (mm) | 排气管内径 Discharge Pipe ID (mm) | 回气管内径 Suction Pipe ID (mm) |
|-----------|-------------|---------------|---------------------|--------------------------------|--------------|-----------|------------------|-----------------------------|------------------------------|------------------------------|----------------------------|
| A | QXEM-A081 | 8.1 | 4808.1 | 1410 | 425 | 3.32 | 15μF/450V | 干衣机工况 HPD Working Condition | 203 | 6.2 | 9.7 |
| | QXEM-A104 | 10.4 | 6240.3 | 1830 | 580 | 3.15 | 15μF/450V | 干衣机工况 HPD Working Condition | 208 | 6.2 | 9.7 |
| | QXEM-A115 | 11.5 | 6871.15 | 2015 | 630 | 3.2 | 20μF/450V | 干衣机工况 HPD Working Condition | 208 | 6.2 | 9.7 |
| | QXEM-B18 | 17.5 | 10338 | 3030 | 930 | 3.26 | 35μF/450V | 干衣机工况 HPD Working Condition | 280 | 9.7 | 12.2 |

③干衣机压缩机 Compressor for HPD

R134a DC Inverter

| 系列 Series | 压缩机型号 Model | 排量 Displ.(cc) | 冷量 Capacity (Btu/h) | 制冷量 Refrigerating Capacity (W) | 功率 Power (W) | COP (W/W) | 测试频率 Test Frequency | 测试工况 Test Conditions | 压缩机高度 Compressor Height (mm) | 排气管内径 Discharge Pipe ID (mm) | 回气管内径 Suction Pipe ID (mm) |
|--------------|----------------|------------------|---------------------------|--------------------------------------|-----------------|--------------|------------------------|-----------------------------------|------------------------------------|------------------------------------|----------------------------------|
| K | ETz-SK075AP | 7.5 | 3583 | 1050 | 350 | 3.00 | 60Hz | 干衣机工况 HPD Working Condition | 164.5 | 6.2 | 8.2 |

R290 T1 [1φ]220-240V 50Hz

| 系列 Series | 压缩机型号 Model | 排量 Displ.(cc) | 冷量 Capacity (Btu/h) | 制冷量 Refrigerating Capacity (W) | 功率 Power (W) | COP (W/W) | 电容 Capacitor(μF) | 测试工况 Test Conditions | 压缩机高度 Compressor Height (mm) | 排气管内径 Discharge Pipe ID (mm) | 回气管内径 Suction Pipe ID (mm) |
|--------------|----------------|------------------|---------------------------|--------------------------------------|-----------------|--------------|---------------------|-----------------------------------|------------------------------------|------------------------------------|----------------------------------|
| N | ※QXDM-N062 | 6.2 | 4386 | 1285 | 395 | 3.25 | 15uF/450V | 干衣机工况 HPD Working Condition | 215 | 8.2 | 9.7 |
| A | ※QXDM-A062 | 6.2 | 4420 | 1295 | 390 | 3.32 | 15uF/450V | 干衣机工况 HPD Working Condition | 203 | 8.2 | 9.7 |
| | ▲QXDM-A081 | 8.1 | 5802 | 1700 | 500 | 3.40 | 20uF/450V | 干衣机工况 HPD Working Condition | 213 | 8.2 | 9.7 |

备注：型号带“※”代表开发中。“▲”代表推荐机型。
 Note: A model with “※” is under development.
 A model with “▲” is the recommended model.

BASE STATION/CABINET COMPRESSOR

基站/机柜用压缩机



④ 基站/机柜用压缩机 Base Station/Cabinet Compressor

■ 技术特点 Technical Features

A 环保冷媒 Eco-friendly refrigerant

• 臭氧层破坏潜能ODP=0 ODP equals to zero.

B 高环温可用 Available for high temp. ambient

• 最高使用环境温度可达54°C Maximum temp. of 54 degrees centigrade.

C 适合电压波动大地区 Applicable to large voltage fluctuation area

• 过负荷能力最低可至额定电压的0.8倍 The overload capacity is as low as 0.8 times of the rated voltage.

D 超长使用寿命 Ultra-long service life

• 设计寿命达10年 Ultra-long service life: 10 years.

E 低噪声/低振动 Low noise/vibration

• 超静音无察觉运行 Ultra-quiet operation.

■ 压缩机谱 Product Spectrum

| 机柜用压缩机 Cabinet Compressor | | | | | | | | |
|---------------------------|-------------------------------|------------------------|------|------|------|-------|-------|-------|
| 产品类别 Product Category | | 压缩机能力范围 Capacity Range | | | | | | |
| 冷媒 Refrigerant | 电压/频率 Voltage V/ Frequency | BTU/h | 1024 | 3412 | 6824 | 10236 | 13648 | 17060 |
| | | W | 300 | 1000 | 2000 | 3000 | 4000 | 5000 |
| R134a | 220-240V/50Hz & 220-240V/60Hz | (3400-7200 BTU/h) | | | | | | |
| | 48V/DC | (1024-13648 BTU/h) | | | | | | |

■ 压缩机产品规格 Compressor Spec.

R134a T1 [1φ]220-240V 50Hz/60Hz

| 系列 Series | 压缩机型号 Model | 排量 Displ.(cc) | 冷量 Capacity (Btu/h) | 制冷量 Refrigerating Capacity (W) | 功率 Power (W) | COP (W/W) | 电容 Capacitor(μF) | 测试工况 Test Conditions | 压缩机高度 Compressor Height (mm) | 排气管内径 Discharge Pipe ID (mm) | 回气管内径 Suction Pipe ID (mm) |
|-----------|-------------|---------------|---------------------|--------------------------------|--------------|-----------|------------------|----------------------|------------------------------|------------------------------|----------------------------|
| B | QXEM-B18 | 17.5 | 7015 | 2056 | 670 | 3.07 | 35μF/450V | ASHRAE/T | 280 | 9.7 | 12.2 |
| A | QXEM-A115 | 11.5 | 4436 | 1300 | 468 | 2.78 | 20μF/450V | ASHRAE/T | 208 | 6.2 | 9.7 |

R134a T1 [1φ]220-240V 50Hz

| 系列 Series | 压缩机型号 Model | 排量 Displ.(cc) | 冷量 Capacity (Btu/h) | 制冷量 Refrigerating Capacity (W) | 功率 Power (W) | COP (W/W) | 电容 Capacitor(μF) | 测试工况 Test Conditions | 压缩机高度 Compressor Height (mm) | 排气管内径 Discharge Pipe ID (mm) | 回气管内径 Suction Pipe ID (mm) |
|-----------|-------------|---------------|---------------------|--------------------------------|--------------|-----------|------------------|----------------------|------------------------------|------------------------------|----------------------------|
| A | QXEM-A081 | 8.1 | 3173 | 930 | 326 | 2.85 | 15μF/450V | ASHRAE/T | 203 | 6.2 | 9.7 |

R134a T1 [1φ]DC Inverter

| 系列 Series | 压缩机型号 Model | 排量 Displ.(cc) | 冷量 Capacity (Btu/h) | 制冷量 Refrigerating Capacity (W) | 功率 Power (W) | COP (W/W) | 频率 Frequency(Hz) | 测试工况 Test Conditions | 压缩机高度 Compressor Height (mm) | 排气管内径 Discharge Pipe ID (mm) | 回气管内径 Suction Pipe ID (mm) |
|-----------|------------------|---------------|---------------------|--------------------------------|--------------|-----------|------------------|-------------------------|------------------------------|------------------------------|----------------------------|
| D | ▲ETz-AD253AEAB | 25.3 | 10372 | 3040 | 870 | 3.50 | 60Hz | 变频工况 Inverter Condition | 295 | 9.7 | 12.2 |
| A | ▲ESz48-AA088ACBA | 8.8 | 3566 | 1045 | 306 | 3.42 | 60Hz | 变频工况 Inverter Condition | 276 | 8.2 | 9.7 |
| G | ※ESz48-AG036APCA | 3.6 | 1965 | 576 | 190 | 3.02 | 60Hz | 变频工况 Inverter Condition | 163 | 6.2 | 8.2 |

备注：型号带“※”，代表开发中。“▲”代表推荐机型。
 Note: A model with “※” is under development.
 A model with “▲” is the recommended model.

INDUSTRIAL REFRIGERATION COMPRESSOR

工业制冷用压缩机



⑤工业制冷用压缩机 Industrial Refrigeration Compressor

■ 技术特点 Technical Features

A 适应不同工业电压 Applicable to different industrial voltages

•兼有三相220V及三相380V产品 three-phase 220V and three-phase 380V products.

B 一机双频 Multi-frequency operation

•50/60Hz通用 Available for 50/60Hz frequency condition.

C 超长使用寿命 Ultra-long service life

•设计寿命达10年 Ultra-long service life: 10 years.

D 低噪声/低振动 Low noise/vibration

•超静音无察觉运行 Ultra-quiet operation.

■ 压缩机型谱 Product Spectrum

| 工业制冷用压缩机 Industrial Refrigeration Compressor | | | | | | | | | | |
|--|------------------------------------|------------------------|------|------|------|-------|-------|-------|-------|-------|
| 产品类别 Product Category | | 压缩机能力范围 Capacity Range | | | | | | | | |
| 冷媒 Refrigerant | 电压/频率 Voltage V/ Frequency | BTU/h | 1706 | 5118 | 8530 | 11942 | 15354 | 18766 | 22178 | 25590 |
| | | W | 500 | 1500 | 2500 | 3500 | 4500 | 5500 | 6500 | 7500 |
| R407C | 220-240V 50Hz/60Hz & 208-230V 60Hz | (8200-23000 BTU/h) | | | | | | | | |
| | 380V 50Hz/60Hz | (8500-24000 BTU/h) | | | | | | | | |

⑤工业制冷用压缩机 Industrial Refrigeration Compressor

压缩机产品规格 Compressor Spec.

R407C T1 [3φ]220-240V 50Hz/60Hz

| 系列 Series | 压缩机型号 Model | 排量 Displ.(cc) | 冷量 Capacity (Btu/h) | 制冷量 Refrigerating Capacity (W) | 功率 Power (W) | COP (W/W) | 频率 Frequency(Hz) | 测试工况 Test Conditions | 压缩机高度 Compressor Height (mm) | 排气管内径 Discharge Pipe ID (mm) | 回气管内径 Suction Pipe ID (mm) |
|--------------|----------------|------------------|---------------------------|--------------------------------------|-----------------|--------------|---------------------|-------------------------|------------------------------------|------------------------------------|----------------------------------|
| F | QXC-F34w | 33.7 | 22888 | 6708 | 2208 | 3.04 | 60 | ASHRAE/T | 367 | 9.7 | 15.6 |
| | | 33.7 | 18520 | 5428 | 1865 | 2.91 | 50 | ASHRAE/T | | | |
| D | QXC-D273w | 27.3 | 18841 | 5522 | 1758 | 3.14 | 60 | ASHRAE/T | 324.5 | 9.7 | 12.87 |
| | | 27.3 | 15695 | 4600 | 1515 | 3.04 | 50 | ASHRAE/T | | | |
| B | QXC-B18w | 17.5 | 11918 | 3493 | 1130 | 3.09 | 60 | ASHRAE/T | 296.5 | 9.7 | 12.2 |
| | | 17.5 | 10024 | 2938 | 993 | 2.96 | 50 | ASHRAE/T | | | |
| B | QXC-B15w | 15.02 | 10366 | 3038 | 955 | 3.18 | 60 | ASHRAE/T | 292.5 | 9.7 | 12.2 |
| | | 15.02 | 8445 | 2475 | 832 | 2.97 | 50 | ASHRAE/T | | | |

R407C T1 [3φ]380V 50Hz/60Hz

| 系列 Series | 压缩机型号 Model | 排量 Displ.(cc) | 冷量 Capacity (Btu/h) | 制冷量 Refrigerating Capacity (W) | 功率 Power (W) | COP (W/W) | 频率 Frequency(Hz) | 测试工况 Test Conditions | 压缩机高度 Compressor Height (mm) | 排气管内径 Discharge Pipe ID (mm) | 回气管内径 Suction Pipe ID (mm) |
|--------------|----------------|------------------|---------------------------|--------------------------------------|-----------------|--------------|---------------------|-------------------------|------------------------------------|------------------------------------|----------------------------------|
| F | QXC-F34s | 33.7 | 23423 | 6865 | 2156 | 3.18 | 60 | ASHRAE/T | 367 | 9.7 | 15.6 |
| | | 33.7 | 19694 | 5772 | 1814 | 3.18 | 50 | ASHRAE/T | | | |
| D | QXC-D273s | 27.3 | 19346 | 5670 | 1760 | 3.22 | 60 | ASHRAE/T | 324.5 | 9.7 | 12.87 |
| | | 27.3 | 16002 | 4690 | 1630 | 2.88 | 50 | ASHRAE/T | | | |
| B | QXC-B18s | 17.5 | 11976 | 3510 | 1121 | 3.13 | 60 | ASHRAE/T | 296.5 | 9.7 | 12.2 |
| | | 17.5 | 10004 | 2932 | 983 | 2.98 | 50 | ASHRAE/T | | | |
| B | QXC-B15s | 15.02 | 10195 | 2988 | 959 | 3.12 | 60 | ASHRAE/T | 292.5 | 9.7 | 12.2 |
| | | 15.02 | 8530 | 2500 | 849 | 2.94 | 50 | ASHRAE/T | | | |

R407c T1 [1φ]208-230V 60Hz

| 系列 Series | 压缩机型号 Model | 排量 Displ.(cc) | 冷量 Capacity (Btu/h) | 制冷量 Refrigerating Capacity (W) | 功率 Power (W) | COP (W/W) | 电容 Capacitor(μF) | 测试工况 Test Conditions | 压缩机高度 Compressor Height (mm) | 排气管内径 Discharge Pipe ID (mm) | 回气管内径 Suction Pipe ID (mm) |
|--------------|----------------|------------------|---------------------------|--------------------------------------|-----------------|--------------|---------------------|-------------------------|------------------------------------|------------------------------------|----------------------------------|
| B | QXC-B18r | 17.5 | 11942 | 3500 | 1155 | 3.03 | 30 | ASHRAE/T | 296.5 | 9.7 | 12.2 |

MINI
COMPRESSOR
微型压缩机



⑥微型压缩机 Mini Compressor

技术特点 Technical Features

A 小巧便携 Small and portable

•高度仅88.5mm，重量仅0.89KG 88.5mm high, weighing 0.89KG.

B 环保高效 High efficiency and environmental protection

•COP高达2.72，采用R134a环保冷媒 Adopt R134a refrigerant, the COP is as high as 2.72.

C 高可靠性 High reliability

•超强耐久力，耐高温 Super durability, resistant to high temperatures.

D 应用范围广 Wide Applications

•家用设备、商用设备、医疗用冷却系统、军事消防等
Household equipment, commercial equipment, medical cooling system and military fire protection, etc.

压缩机产品规格 Compressor Spec.

| R134a DC 48V | | | | | | | | | | | |
|--------------|----------------|------------------|---------------------------|--------------------------------------|-----------------|--------------|---------------------|-------------------------------------|------------------------------------|------------------------------------|----------------------------------|
| 系列 Series | 压缩机型号 Model | 排量 Displ.(cc) | 冷量 Capacity (Btu/h) | 制冷量 Refrigerating Capacity (W) | 功率 Power (W) | COP (W/W) | 频率 Frequency(Hz) | 测试工况 Test Conditions | 压缩机高度 Compressor Height (mm) | 排气管内径 Discharge Pipe ID (mm) | 回气管内径 Suction Pipe ID (mm) |
| P | QXE-P014z | 1.4 | 853 | 250 | 92 | 2.717 | / | 普通工况 Normal Working Condition | 89.7 | 6.2 | 6.5 |

备注：型号带“*”代表开发中，“▲”代表推荐机型。
Note: A model with “*” is under development.
A model with “▲” is the recommended model.



⑦ 冷冻冷藏压缩机 Compressor for Freezing and Refrigeration

■ 技术特点 Technical Features

A 环保冷媒 Eco-friendly refrigerant

• 主流冷冻冷藏用低GWP冷媒 Adopt main refrigerants with low GWP.

B 安全可靠 Safe and Reliable

• 满足多工况下频繁启动冲击 Meet the frequent startup under the different working conditions.

C 低温制冷特性 Good refrigerating performance

• 低蒸发温度下制冷效率优良 High cooling efficiency at low evaporating temp.

D 低噪声/低振动 Low noise/vibration

• 超静音无察觉运行 Ultra-quiet operation.

■ 压缩机型号谱 Product Spectrum

| 冷冻冷藏压缩机 Compressor for Freezing and Refrigeration | | | | | | | | | | | | | | |
|---|----------------|----------------------------|------------------------|------|------|------|-------|-------|-------|-------|-------|-------|-------|-------|
| 产品类别 Product Category | | | 压缩机能力范围 Capacity Range | | | | | | | | | | | |
| 应用领域 Application area | 冷媒 Refrigerant | 电压/频率 Voltage V/ Frequency | BTU/h | 2047 | 5459 | 8871 | 12283 | 15695 | 19107 | 22519 | 25931 | 29343 | 32755 | 36167 |
| | | | W | 600 | 1600 | 2600 | 3600 | 4600 | 5600 | 6600 | 7600 | 8600 | 9600 | 10600 |
| 冷冻 Freezing | R404A | 220-240V/50Hz | (9900-33000 BTU/h) | | | | | | | | | | | |
| | R290 | 220-240V/50Hz | (4800-9500 BTU/h) | | | | | | | | | | | |
| 冷冻 Refrigeration | R404A | 380V/50Hz | (10000-20000 BTU/h) | | | | | | | | | | | |
| | R404A | 220-240V/50Hz | (4000-10000 BTU/h) | | | | | | | | | | | |
| | R404A | DC | (6500-10500 BTU/h) | | | | | | | | | | | |
| | R290 | 220-240V/50Hz | (4800-9500 BTU/h) | | | | | | | | | | | |

■ 压缩机产品规格 Compressor Spec.

冷藏用压缩机 R404A [1φ]220-240V 50Hz

| 系列 Series | 压缩机型号 Model | 排量 Displ.(cc) | 冷量 Capacity (Btu/h) | 制冷量 Refrigerating Capacity (W) | 功率 Power (W) | COP (W/W) | 电容 Capacitor(μF) | 测试工况 Test Conditions | 压缩机高度 Compressor Height (mm) | 排气管内径 Discharge Pipe ID (mm) | 回气管内径 Suction Pipe ID (mm) |
|-----------|---------------|---------------|---------------------|--------------------------------|--------------|-----------|------------------|----------------------|------------------------------|------------------------------|----------------------------|
| C | GGU-AC160DAAA | 16.8 | 9961 | 2921 | 1052 | 2.78 | 35uF/450V | ASHRAE/T | 243 | 9.7 | 12.2 |
| | GGU-AC193DEAA | 19.3 | 11475 | 3365 | 1212 | 2.78 | 35uF/450V | ASHRAE/T | 265 | 9.7 | 12.2 |
| | GGU-AC238DEAA | 23.8 | 14834 | 4350 | 1500 | 2.90 | 35uF/450V | ASHRAE/T | 267 | 9.7 | 12.2 |
| SF | GGU-AF325DFAB | 32.5 | 19324 | 5667 | 2041 | 2.78 | 50uF/450V | ASHRAE/T | 312 | 9.7 | 16.2 |
| | GGU-AF360DFAB | 35.6 | 21244 | 6230 | 2200 | 2.83 | 50uF/450V | ASHRAE/T | 327 | 9.7 | 12.2 |
| | GGU-SF438DEAF | 43.8 | 26042 | 7637 | 2751 | 2.78 | 60uF/450V | ASHRAE/T | 337.2 | 9.7 | 15.6 |
| | GGU-SF490DNAB | 49.0 | 29783 | 8734 | 3168 | 2.76 | 70uF/450V | ASHRAE/T | 357.2 | 9.7 | 16.2 |

冷藏用压缩机 R290 [1φ]220-240V 50Hz

| 系列 Series | 压缩机型号 Model | 排量 Displ.(cc) | 冷量 Capacity (Btu/h) | 制冷量 Refrigerating Capacity (W) | 功率 Power (W) | COP (W/W) | 电容 Capacitor(μF) | 测试工况 Test Conditions | 压缩机高度 Compressor Height (mm) | 排气管内径 Discharge Pipe ID (mm) | 回气管内径 Suction Pipe ID (mm) |
|-----------|-------------|---------------|---------------------|--------------------------------|--------------|-----------|------------------|----------------------|------------------------------|------------------------------|----------------------------|
| B | QXD-B172 | 17.2 | 8652 | 2535 | 780 | 3.25 | 30uF/450V | ASHRAE/T | 275.5 | 9.7 | 12.2 |
| C | QXD-C184 | 18.4 | 9378 | 2750 | 820 | 3.35 | 25uF/450V | ASHRAE/T | 277 | 9.7 | 12.2 |

备注: 型号带“※”代表开发中。“▲”代表推荐机型。
 Note: A model with “※” is under development.
 A model with “▲” is the recommended model.

⑦ 冷冻冷藏压缩机 Compressor for Freezing and Refrigeration

冷冻用压缩机 R404A DC Inverter

| 系列 Series | 压缩机型号 Model | 排量 Displ.(cc) | 冷量 Capacity (Btu/h) | 制冷量 Refrigerating Capacity (W) | 功率 Power (W) | COP (W/W) | 测试频率 Test Frequency | 测试工况 Test Conditions | 压缩机高度 Compressor Height (mm) | 排气管内径 Discharge Pipe ID (mm) | 回气管内径 Suction Pipe ID (mm) |
|-----------|-----------------|---------------|---------------------|--------------------------------|--------------|-----------|---------------------|---------------------------|------------------------------|------------------------------|----------------------------|
| D | QXGTL-D20zF030 | 20.0 | 6553 | 1920 | 1450 | 1.32 | / | 冷冻冷藏工况 Freezing Condition | 310 | 9.7 | 12.2 |
| D | QYGTL-D20zY | 20.0 | 6416 | 1880 | 1450 | 1.29 | / | 冷冻冷藏工况 Freezing Condition | 190 | 9.7 | 12.2 |
| F | QXGTL-F310zN050 | 31.0 | 10270 | 3010 | 2060 | 1.30 | / | 冷冻冷藏工况 Freezing Condition | 341 | 9.7 | 16.2 |

冷冻用压缩机 R404A [1φ]220-240V 50Hz

| 系列 Series | 压缩机型号 Model | 排量 Displ.(cc) | 冷量 Capacity (Btu/h) | 制冷量 Refrigerating Capacity (W) | 功率 Power (W) | COP (W/W) | 电容 Capacitor(μF) | 测试工况 Test Conditions | 压缩机高度 Compressor Height (mm) | 排气管内径 Discharge Pipe ID (mm) | 回气管内径 Suction Pipe ID (mm) |
|-----------|----------------|---------------|---------------------|--------------------------------|--------------|-----------|------------------|---------------------------|------------------------------|------------------------------|----------------------------|
| D | QYGTL-D159Y | 15.9 | 4060 | 1200 | 1000 | 1.20 | 45uF/450V | 冷冻冷藏工况 Freezing Condition | 190 | 9.7 | 12.2 |
| | QYGTL-D20Y | 20.0 | 5260 | 1540 | 1270 | 1.21 | 45uF/450V | 冷冻冷藏工况 Freezing Condition | 190 | 9.7 | 12.2 |
| F | QYGSL-F325Y | 32.5 | 8262 | 2423 | 1923 | 1.26 | 55uF/450V | 冷冻冷藏工况 Freezing Condition | 200 | 9.7 | 16.2 |
| | QYGSL-F36Y | 35.6 | 9118 | 2670 | 2130 | 1.25 | 55uF/450V | 冷冻冷藏工况 Freezing Condition | 200 | 9.7 | 16.2 |
| SF | QYGSL-F413Y | 41.3 | 9560 | 2800 | 2250 | 1.24 | 60uF/450V | 冷冻冷藏工况 Freezing Condition | 203 | 9.7 | 16.2 |
| D | QXGTL-D159F030 | 15.9 | 4060 | 1190 | 980 | 1.21 | 45uF/450V | 冷冻冷藏工况 Freezing Condition | 352 | 9.7 | 12.2 |
| | QXGTL-D20F030 | 20.0 | 5976 | 1750 | 1340 | 1.31 | 45uF/450V | 冷冻冷藏工况 Freezing Condition | 352 | 9.7 | 12.2 |
| F | QXGTL-F310N050 | 31.0 | 7513 | 2200 | 1920 | 1.15 | 60uF/450V | 冷冻冷藏工况 Freezing Condition | 365 | 9.7 | 16.2 |

冷冻用压缩机 R404A [3φ]380V 50Hz

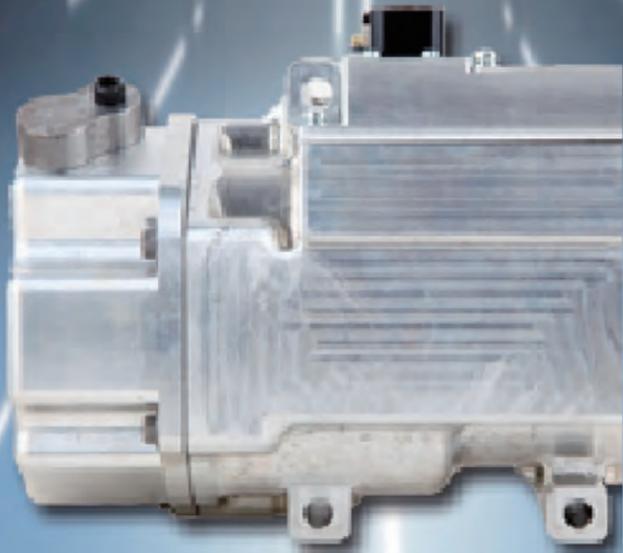
| 系列 Series | 压缩机型号 Model | 排量 Displ.(cc) | 冷量 Capacity (Btu/h) | 制冷量 Refrigerating Capacity (W) | 功率 Power (W) | COP (W/W) | 电容 Capacitor(μF) | 测试工况 Test Conditions | 压缩机高度 Compressor Height (mm) | 排气管内径 Discharge Pipe ID (mm) | 回气管内径 Suction Pipe ID (mm) |
|-----------|-----------------|---------------|---------------------|--------------------------------|--------------|-----------|------------------|---------------------------|------------------------------|------------------------------|----------------------------|
| F | QXGSL-F41sN050 | 41 | 10832 | 3180 | 2140 | 1.50 | / | 冷冻冷藏工况 Freezing Condition | 342.2 | 9.7 | 16.2 |
| | QXGSL-F475sN450 | 47.5 | 12548 | 3680 | 2478 | 1.50 | / | 冷冻冷藏工况 Freezing Condition | 342.2 | 9.7 | 16.2 |
| H | QXGSL-H72sN330 | 72 | 19096 | 5600 | 3600 | 1.55 | / | 冷冻冷藏工况 Freezing Condition | 406 | 12.87 | 19.3 |

中低温冷冻冷藏用压缩机 R290 T1 [1φ]220-240V 50Hz

| 系列 Series | 压缩机型号 Model | 排量 Displ.(cc) | 冷量 Capacity (Btu/h) | 制冷量 Refrigerating Capacity (W) | 功率 Power (W) | COP (W/W) | 电容 Capacitor(μF) | 测试工况 Test Conditions | 压缩机高度 Compressor Height (mm) | 排气管内径 Discharge Pipe ID (mm) | 回气管内径 Suction Pipe ID (mm) |
|-----------|-------------|---------------|---------------------|--------------------------------|--------------|-----------|------------------|---------------------------|------------------------------|------------------------------|----------------------------|
| D | QYDL-D238Y | 23.8 | 4805 | 1408 | 884 | 1.59 | 40uF/450V | 冷冻冷藏工况 Freezing Condition | 186 | 12.2 | 9.7 |

备注：型号带“*”代表开发中。“▲”代表推荐机型。
 Note: A model with “*” is under development.
 A model with “▲” is the recommended model.

VEHICLE COMPRESSOR 车载用压缩机



⑧ 车载压缩机 Vehicle Compressor

■ 技术特点 Technical Features

- A** 高效润滑系统，保证压缩机平稳运行，提高使用寿命；
Efficient lubrication system, to ensure the compressor operate steadily and extend its service life.
- B** 耐振动性强，使其在复杂环境中稳定可靠运行；
Strong vibration resistance, to ensure normal operation in the complex environment;
- C** 结构紧凑，高冷重比，适应性强；
Compact structure and strong adaptability, with high cold-weight ratio;
- D** 双级增焓结构压缩机，-30°C强劲制热，运行范围更广，热管理系统采暖舒适性高；
Two-stage enthalpy-increasing compressor can realize strong heating at -30°C,with wider operating range and more comfort heating.
- E** 更高效，更节能，提升续航里程。
Higher efficiency, energy-saving, longer driving range.

⑧ 车载压缩机 Vehicle Compressor

压缩机产品规格 Compressor Spec.

压缩机 R410a [1φ]115V 60Hz

| 系列 Series | 压缩机型号 Model | 排量 Displ.(cc) | 冷量 Capacity (Btu/h) | 制冷量 Refrigerating capacity (W) | 功率 Power (W) | COP (W/W) | 电容 Capacitor(μF) | 测试工况 Test Conditions | 压缩机高度 Compressor Height (mm) | 排气管内径 Discharge Pipe ID (mm) | 回气管内径 Suction Pipe ID (mm) |
|-----------|-------------|---------------|---------------------|--------------------------------|--------------|-----------|------------------|----------------------|------------------------------|------------------------------|----------------------------|
| B | ※QXA-B102x | 10.2 | 10065 | 2950 | 990 | 2.98 | 60uF/250V | ASHRAE/T | 261.5 | 9.7 | 9.7 |
| | QXA-B129x | 12.9 | 12966 | 3800 | 1320 | 2.88 | 60uF/250V | ASHRAE/T | 261.5 | 9.7 | 9.7 |
| | QXA-B139x | 13.9 | 14228 | 4170 | 1465 | 2.85 | 60uF/250V | ASHRAE/T | 261.5 | 9.7 | 9.7 |

电动大巴空调压缩机 R410A DC [400~700V]

| 系列 Series | 压缩机型号 Model | 排量 Displ.(cc) | 冷量 Capacity (Btu/h) | 制冷量 Refrigerating Capacity (W) | 功率 Power (W) | COP (W/W) | 运行频率范围 Frequency Range | 测试工况 Test Conditions | 压缩机高度 Compressor Height (mm) | 排气管内径 Discharge Pipe ID (mm) | 回气管内径 Suction Pipe ID (mm) |
|-----------|----------------|---------------|---------------------|--------------------------------|--------------|-----------|------------------------|----------------------|------------------------------|------------------------------|----------------------------|
| SF | YAZz-SF295AY-B | 29.5 | 31031 | 9100 | 3030 | 3.00 | 30-120Hz | ASHRAE/T | 186 | 9.7 | 16.2 |
| SF | YAZz-SF428AY-B | 42.8 | 44501 | 13050 | 4350 | 3.00 | 30-120Hz | ASHRAE/T | 189 | 9.7 | 16.2 |
| SH | YAZz-SH640AY | 64 | 71269 | 20900 | 6800 | 3.07 | 30-85Hz | ASHRAE/T | 183 | 16.2 | 19.3 |
| TD | YAZz-TD200AY | 20 | 21909 | 6425 | 2390 | 2.69 | 30-100Hz | ASHRAE/T | 206 | 9.7 | 16.2 |
| TH | ※YAZz-TH420AY | 42 | 49445 | 14500 | 5200 | 2.79 | 30-90Hz | ASHRAE/T | 183 | 16.2 | 19.3 |
| CH | ※YAZz-CH640AY | 64 | 70006 | 20500 | 6940 | 2.95 | 30-100Hz | ASHRAE/T | 183 | 16.2 | 19.3 |

电动大巴空调涡旋压缩机 R410A DC [400-700V]

| 系列 Series | 压缩机型号 Model | 排量 Displ.(cc) | 冷量 Capacity (Btu/h) | 制冷量 Refrigerating Capacity (W) | 功率 Power (W) | COP (W/W) | 运行频率范围 Frequency Range | 测试工况 Test Conditions | 压缩机高度 Compressor Height (mm) | 排气管内径 Discharge Pipe ID (mm) | 回气管内径 Suction Pipe ID (mm) |
|-----------|---------------|---------------|---------------------|--------------------------------|--------------|-----------|------------------------|----------------------|------------------------------|------------------------------|----------------------------|
| H | QV-AGG-H072zN | 72 | 78498 | 23000 | 7600 | 3.00 | 20-100Hz | ASHRAE/T | 210 | 16.1 | 22.4 |
| | QV-AHG-H072zN | 72 | 78498 | 23000 | 7600 | 3.00 | 20-100Hz | ASHRAE/T | 210 | 16.1 | 22.4 |

房车空调压缩机 R410A [1φ]115V 60Hz

| 系列 Series | 压缩机型号 Model | 排量 Displ.(cc) | 冷量 Capacity (Btu/h) | 制冷量 Refrigerating Capacity (W) | 功率 Power (W) | COP (W/W) | 电容 Capacitor (μF) | 测试工况 Test Conditions | 压缩机高度 Compressor Height (mm) | 排气管内径 Discharge Pipe ID (mm) | 回气管内径 Suction Pipe ID (mm) |
|-----------|-------------|---------------|---------------------|--------------------------------|--------------|-----------|-------------------|----------------------|------------------------------|------------------------------|----------------------------|
| C | QYA-C124xY | 12.4 | 12410 | 3650 | 1340 | 2.72 | 60uF/250V | ASHRAE/T | 183 | 9.7 | 12.2 |
| | QYA-C133xY | 13.3 | 13640 | 4000 | 1460 | 2.74 | 60uF/250V | ASHRAE/T | 183 | 9.7 | 12.2 |

卧式移动空调压缩机 R410A [1φ]220-240V 50Hz

| 系列 Series | 压缩机型号 Model | 排量 Displ.(cc) | 冷量 Capacity (Btu/h) | 制冷量 Refrigerating Capacity (W) | 功率 Power (W) | COP (W/W) | 电容 Capacitor (μF) | 测试工况 Test Conditions | 压缩机高度 Compressor Height (mm) | 排气管内径 Discharge Pipe ID (mm) | 回气管内径 Suction Pipe ID (mm) |
|-----------|-------------|---------------|---------------------|--------------------------------|--------------|-----------|-------------------|----------------------|------------------------------|------------------------------|----------------------------|
| B | QYA-B106YA | 10.6 | 8490 | 2490 | 900 | 2.77 | 35uF/450V | ASHRAE/T | 174 | 9.7 | 12.2 |
| | QYA-B125Y | 12.5 | 10055 | 2950 | 1030 | 2.86 | 35uF/450V | ASHRAE/T | 174 | 9.7 | 12.2 |
| C | QYA-C133Y | 13.3 | 10740 | 3150 | 1145 | 2.75 | 35uF/450V | ASHRAE/T | 183 | 9.7 | 12.2 |

卧式移动空调压缩机 R134a [1φ]220-240V 50Hz

| 系列 Series | 压缩机型号 Model | 排量 Displ.(cc) | 冷量 Capacity (Btu/h) | 制冷量 Refrigerating capacity (W) | 功率 Power (W) | COP (W/W) | 电容 Capacitor (μF) | 测试工况 Test Conditions | 压缩机高度 Compressor Height (mm) | 排气管内径 Discharge Pipe ID (mm) | 回气管内径 Suction Pipe ID (mm) |
|-----------|-------------|---------------|---------------------|--------------------------------|--------------|-----------|-------------------|----------------------|------------------------------|------------------------------|----------------------------|
| A | QYE-A104Y | 10.4 | 4024 | 1180 | 410 | 2.87 | 15uF/450V | ASHRAE/T | 145 | 6.5 | 8.2 |

驻车空调压缩机 R134a DC24V

| 系列 Series | 压缩机型号 Model | 排量 Displ.(cc) | 冷量 Capacity (Btu/h) | 制冷量 Refrigerating capacity (W) | 功率 Power (W) | COP (W/W) | 运行频率范围 Frequency Range | 测试工况 Test Conditions | 压缩机高度 Compressor Height (mm) | 排气管内径 Discharge Pipe ID (mm) | 回气管内径 Suction Pipe ID (mm) |
|-----------|-----------------|---------------|---------------------|--------------------------------|--------------|-----------|------------------------|----------------------|------------------------------|------------------------------|----------------------------|
| SM | ※YEQz24-SM151AY | 15.1 | 7171 | 2100 | 635 | 3.31 | 30~75Hz | ASHRAE/T | 154 | 9.7 | 12.2 |

物流车空调压缩机 R410A DC250~720V

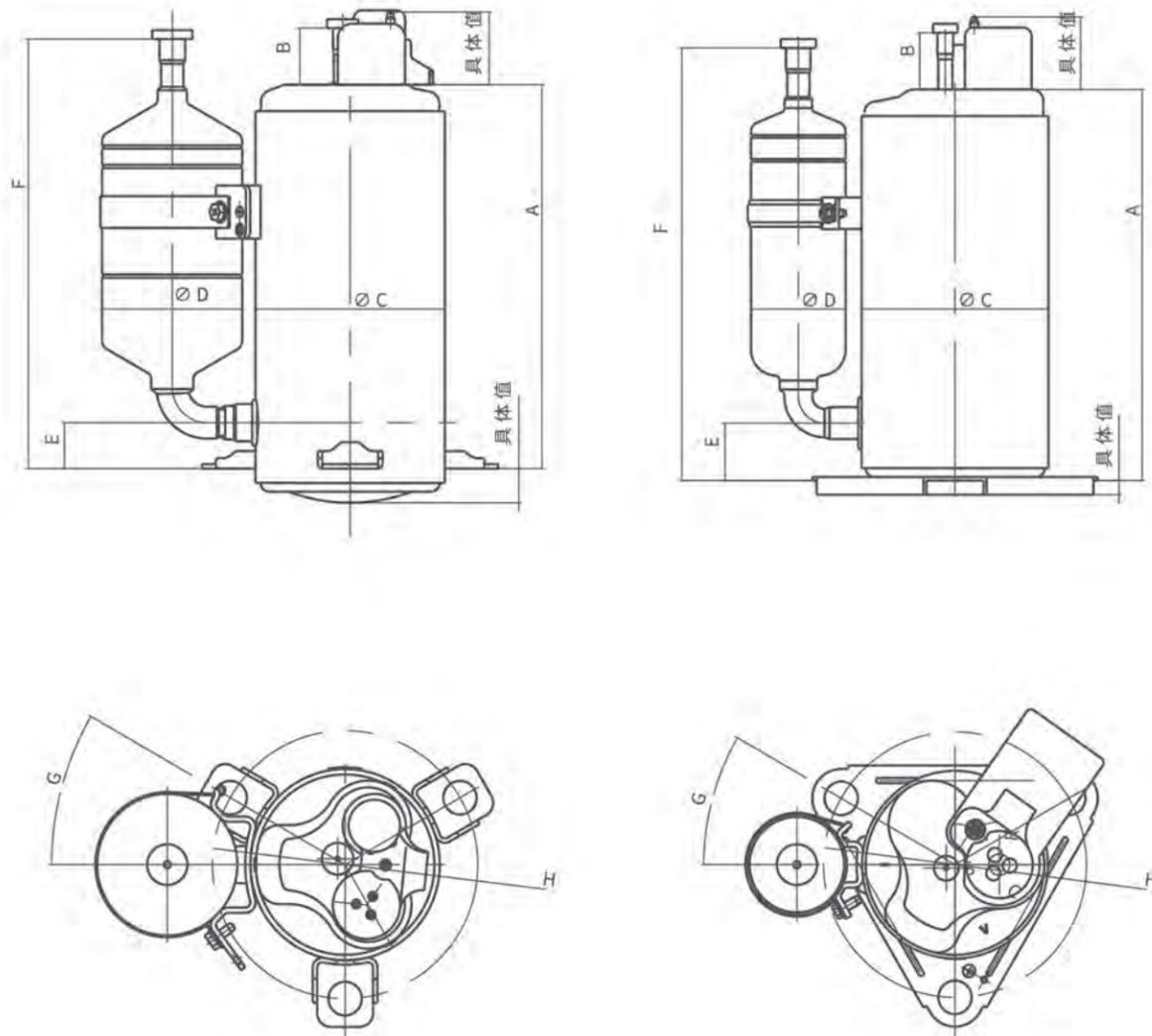
| 系列 Series | 压缩机型号 Model | 排量 Displ.(cc) | 冷量 Capacity (Btu/h) | 制冷量 Refrigerating capacity (W) | 功率 Power (W) | COP (W/W) | 运行频率范围 Frequency Range | 测试工况 Test Conditions | 压缩机高度 Compressor Height (mm) | 排气管内径 Discharge Pipe ID (mm) | 回气管内径 Suction Pipe ID (mm) |
|-----------|---------------|---------------|---------------------|--------------------------------|--------------|-----------|------------------------|----------------------|------------------------------|------------------------------|----------------------------|
| AB | ※YAZz-AB106AY | 10.6 | 10990 | 3250 | 1090 | 2.98 | 30~75Hz | ASHRAE/T | 165 | 10.15 | 15.5 |

备注：型号带“※”，代表开发中。“▲”代表推荐机型。
 Note: A model with “※” is under development.
 A model with “▲” is the recommended model.

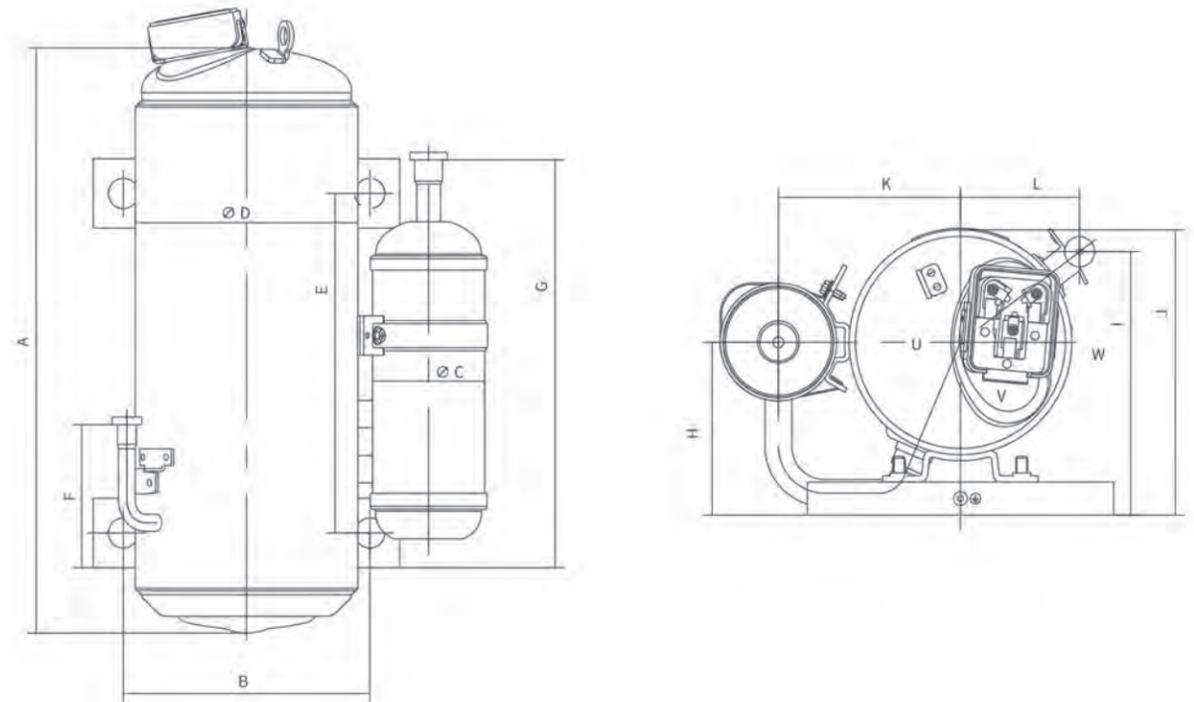
ASHRAE工况测试时EVI OFF，采暖工况测试时EVI ON。
 EVI OFF during ASHRAE test conditions, EVI ON during heating conditions.

压缩机标准尺寸示意图 Compressor Standard Size Diagram

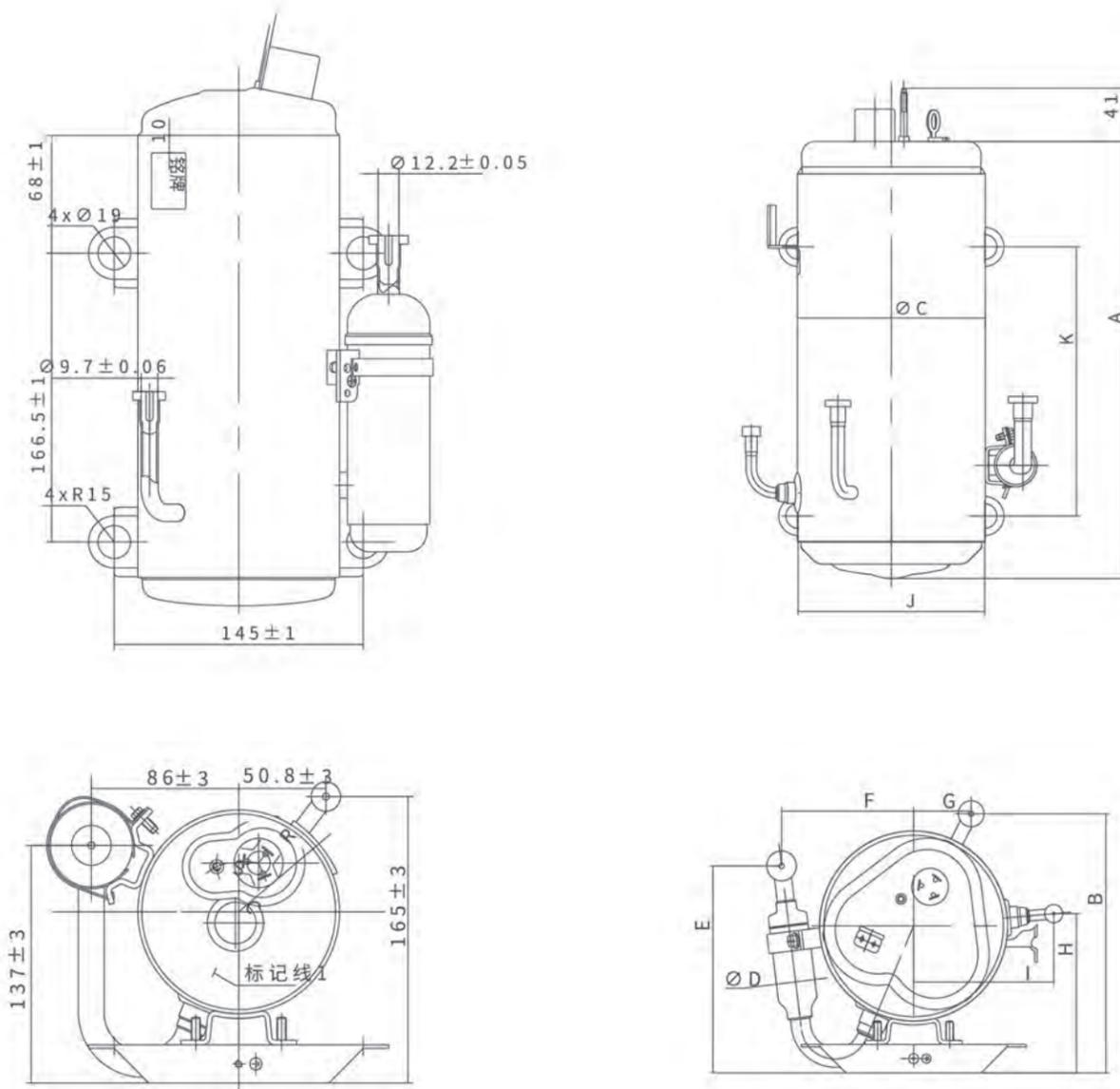
压缩机尺寸范围 Compressor Dimension Range



车载压缩机尺寸范围 Dimension Range of Vehicle Compressor



冷冻冷藏压缩机尺寸范围
Dimension Range of Freezing & Refrigeration Compressor



N系列 Series

| 压缩机尺寸范围Compressor Dimension Range | |
|-----------------------------------|--|
| 尺寸 | 10 30 50 70 90 110 130 150 170 190 210 230 250 270 290 310 330 350 370 390 410 430 450 |
| A | (213-281) |
| B | (32) |
| C | (100.9) |
| D | (75) |
| E | (24-42) |
| F | (250-307) |
| G | (35) |
| H | (150) |

A系列 Series

| 压缩机尺寸范围Compressor Dimension Range | |
|-----------------------------------|--|
| 尺寸 | 10 30 50 70 90 110 130 150 170 190 210 230 250 270 290 310 330 350 370 390 410 430 450 |
| A | (207-227) |
| B | (32) |
| C | (108) |
| D | (64-75) |
| E | (26) |
| F | (128-243) |
| G | (30-90) |
| H | (150) |

B系列 Series

| 压缩机尺寸范围Compressor Dimension Range | |
|-----------------------------------|--|
| 尺寸 | 10 30 50 70 90 110 130 150 170 190 210 230 250 270 290 310 330 350 370 390 410 430 450 |
| A | (239-303) |
| B | (30) |
| C | (117-119) |
| D | (48-79) |
| E | (21-31) |
| F | (240-303) |
| G | (30-50) |
| H | (150-175) |

M系列 Series

| 压缩机尺寸范围 Compressor Dimension Range | | 10 | 30 | 50 | 70 | 90 | 110 | 130 | 150 | 170 | 190 | 210 | 230 | 250 | 270 | 290 | 310 | 330 | 350 | 370 | 390 | 410 | 430 | 450 | | |
|------------------------------------|--|----|------|----|----|----|-----|-----|-----|-----|-----|-----|-----|-----|-----|-----|-----|-----|-----|-----|-----|-----|-----|-----|-----------|-----------|
| A | | | | | | | | | | | | | | | | | | | | | | | | | (215-259) | |
| B | | | (32) | | | | | | | | | | | | | | | | | | | | | | | |
| C | | | | | | | | | | | | | | | | | | | | | | | | | | (114.03) |
| D | | | | | | | | | | | | | | | | | | | | | | | | | | (75) |
| E | | | | | | | | | | | | | | | | | | | | | | | | | | (17-25) |
| F | | | | | | | | | | | | | | | | | | | | | | | | | | (243-285) |
| G | | | | | | | | | | | | | | | | | | | | | | | | | | (30) |
| H | | | | | | | | | | | | | | | | | | | | | | | | | | (150) |

D系列 Series

| 压缩机尺寸范围 Compressor Dimension Range | | 10 | 30 | 50 | 70 | 90 | 110 | 130 | 150 | 170 | 190 | 210 | 230 | 250 | 270 | 290 | 310 | 330 | 350 | 370 | 390 | 410 | 430 | 450 | | |
|------------------------------------|--|----|----|----|----|----|-----|-----|-----|-----|-----|-----|-----|-----|-----|-----|-----|-----|-----|-----|-----|-----|-----|-----|--|-----------|
| A | | | | | | | | | | | | | | | | | | | | | | | | | | (258-353) |
| B | | | | | | | | | | | | | | | | | | | | | | | | | | (29-32) |
| C | | | | | | | | | | | | | | | | | | | | | | | | | | (114-132) |
| D | | | | | | | | | | | | | | | | | | | | | | | | | | (75-80) |
| E | | | | | | | | | | | | | | | | | | | | | | | | | | (29-64) |
| F | | | | | | | | | | | | | | | | | | | | | | | | | | (272-326) |
| G | | | | | | | | | | | | | | | | | | | | | | | | | | (41) |
| H | | | | | | | | | | | | | | | | | | | | | | | | | | (150-175) |

F系列 Series

| 压缩机尺寸范围 Compressor Dimension Range | | 10 | 30 | 50 | 70 | 90 | 110 | 130 | 150 | 170 | 190 | 210 | 230 | 250 | 270 | 290 | 310 | 330 | 350 | 370 | 390 | 410 | 430 | 450 | | |
|------------------------------------|--|----|----|----|----|----|-----|-----|-----|-----|-----|-----|-----|-----|-----|-----|-----|-----|-----|-----|-----|-----|-----|-----|--|-------------|
| A | | | | | | | | | | | | | | | | | | | | | | | | | | (303-377) |
| B | | | | | | | | | | | | | | | | | | | | | | | | | | (40) |
| C | | | | | | | | | | | | | | | | | | | | | | | | | | (146-150) |
| D | | | | | | | | | | | | | | | | | | | | | | | | | | (75-90) |
| E | | | | | | | | | | | | | | | | | | | | | | | | | | (44-80) |
| F | | | | | | | | | | | | | | | | | | | | | | | | | | (295-400.8) |
| G | | | | | | | | | | | | | | | | | | | | | | | | | | (50) |
| H | | | | | | | | | | | | | | | | | | | | | | | | | | (176-183) |

H系列 Series

| 压缩机尺寸范围 Compressor Dimension Range | | 10 | 30 | 50 | 70 | 90 | 110 | 130 | 150 | 170 | 190 | 210 | 230 | 250 | 270 | 290 | 310 | 330 | 350 | 400 | 420 | 440 | 460 | 480 | | |
|------------------------------------|--|----|----|----|----|----|-----|-----|-----|-----|-----|-----|-----|-----|-----|-----|-----|-----|-----|-----|-----|-----|-----|-----|--|-----------|
| A | | | | | | | | | | | | | | | | | | | | | | | | | | (454-480) |
| B | | | | | | | | | | | | | | | | | | | | | | | | | | (40) |
| C | | | | | | | | | | | | | | | | | | | | | | | | | | (170.8) |
| D | | | | | | | | | | | | | | | | | | | | | | | | | | (89.1) |
| E | | | | | | | | | | | | | | | | | | | | | | | | | | (61-86) |
| F | | | | | | | | | | | | | | | | | | | | | | | | | | (400-405) |
| G | | | | | | | | | | | | | | | | | | | | | | | | | | (30) |
| H | | | | | | | | | | | | | | | | | | | | | | | | | | (210) |

K、G、P系列 Series

| 压缩机尺寸范围 Compressor Dimension Range | | 10 | 30 | 50 | 70 | 90 | 110 | 130 | 150 | 170 | 190 | 210 | 230 | 250 | 270 | 290 | 310 | 330 | 350 | 370 | 390 | 410 | 430 | 450 | | |
|------------------------------------|--|----|----|----|----|----|-----|-----|-----|-----|-----|-----|-----|-----|-----|-----|-----|-----|-----|-----|-----|-----|-----|-----|--|----------|
| A | | | | | | | | | | | | | | | | | | | | | | | | | | (89-164) |
| B | | | | | | | | | | | | | | | | | | | | | | | | | | (21-35) |
| C | | | | | | | | | | | | | | | | | | | | | | | | | | (54-92) |
| D | | | | | | | | | | | | | | | | | | | | | | | | | | (20-30) |
| E | | | | | | | | | | | | | | | | | | | | | | | | | | (15-50) |
| F | | | | | | | | | | | | | | | | | | | | | | | | | | (82-153) |
| G | | | | | | | | | | | | | | | | | | | | | | | | | | (30-60) |
| H | | | | | | | | | | | | | | | | | | | | | | | | | | (78-120) |

SF系列 Series

| 压缩机尺寸范围 Compressor Dimension Range | | 10 | 30 | 50 | 70 | 90 | 110 | 130 | 150 | 170 | 190 | 210 | 230 | 250 | 270 | 290 | 310 | 330 | 350 | 370 | 390 | 400 | 410 | 430 | | |
|------------------------------------|--|----|----|----|----|----|-----|-----|-----|-----|-----|-----|-----|-----|-----|-----|-----|-----|-----|-----|-----|-----|-----|-----|--|-----------|
| A | | | | | | | | | | | | | | | | | | | | | | | | | | (387-390) |
| B | | | | | | | | | | | | | | | | | | | | | | | | | | (165) |
| C | | | | | | | | | | | | | | | | | | | | | | | | | | (48-75) |
| D | | | | | | | | | | | | | | | | | | | | | | | | | | (146-150) |
| E | | | | | | | | | | | | | | | | | | | | | | | | | | (225) |
| F | | | | | | | | | | | | | | | | | | | | | | | | | | (72.8) |
| G | | | | | | | | | | | | | | | | | | | | | | | | | | (129-248) |
| H | | | | | | | | | | | | | | | | | | | | | | | | | | (114-178) |

TH、SM、CF、TD、AB系列 Series

| 压缩机尺寸范围 Compressor Dimension Range | | | | | | | | | | | | | | | | | | | | | | | |
|------------------------------------|----|----|----|----|----|-----|-----|-----|-----|-----|-----|-----|-----|-----|-----|-----|-----|-----------|-----|---------|-----|-----|-----------|
| 尺寸 | 10 | 30 | 50 | 70 | 90 | 110 | 130 | 150 | 170 | 190 | 210 | 230 | 250 | 270 | 290 | 310 | 350 | 400 | 450 | 500 | 550 | 600 | 650 |
| A | | | | | | | | | | | | | | | | | | | | | | | (256-541) |
| B | | | | | | | | | | | | | | | | | | (90-191) | | | | | |
| C | | | | | | | | | | | | | | | | | | | | (30-90) | | | |
| D | | | | | | | | | | | | | | | | | | (114-171) | | | | | |
| E | | | | | | | | | | | | | | | | | | (130-338) | | | | | |
| F | | | | | | | | | | | | | | | | | | (56-187) | | | | | |
| G | | | | | | | | | | | | | | | | | | (97-281) | | | | | |
| H | | | | | | | | | | | | | | | | | | (133-180) | | | | | |

SN、CH系列 Series

| 压缩机尺寸范围 Compressor Dimension Range | | | | | | | | | | | | | | | | | | | | | | | |
|------------------------------------|----|----|----|----|----|-----|-----|-----|-----|-----|-----|-----|-----|-----|-----|-----|-----|-----------|-----|-----------|-----|-----|-----------|
| 尺寸 | 10 | 30 | 50 | 70 | 90 | 110 | 130 | 150 | 170 | 190 | 210 | 230 | 250 | 270 | 290 | 310 | 350 | 400 | 450 | 500 | 550 | 600 | 650 |
| A | | | | | | | | | | | | | | | | | | | | | | | (354-541) |
| B | | | | | | | | | | | | | | | | | | (40-191) | | | | | |
| C | | | | | | | | | | | | | | | | | | (146-171) | | | | | |
| D | | | | | | | | | | | | | | | | | | (89.1) | | | | | |
| E | | | | | | | | | | | | | | | | | | (87-235) | | | | | |
| F | | | | | | | | | | | | | | | | | | | | (121-412) | | | |
| G | | | | | | | | | | | | | | | | | | (41-282) | | | | | |
| H | | | | | | | | | | | | | | | | | | (24-134) | | | | | |

压缩机包装 Packing of Compressor

依据运输要求，分为出口包装和内销包装，分别见下图：
Packings are sorted as export packing and domestic sales packing according to the transport requirements, see the figure at below:

| 系列代号 Series Code | 托盘规格 Pallet Spec. L(mm)xW(mm) | 每箱数量 Qty. per Box (台 PC) | 每箱高度 Height per Box H(mm) | | 每箱毛重(kg) Gross Weight per Box (kg) | | | |
|--|-------------------------------------|--------------------------------|---------------------------------|---|--|-----|---|------|
| P | 459x314 | 8 | 174 | ~ | - | 9 | ~ | - |
| P | 1170x990 | 224 | 878 | ~ | - | 315 | ~ | - |
| K | 1170x990 | 168 | 919 | ~ | - | 621 | ~ | 50 |
| G | 1170x990 | 126 | 933 | ~ | 993 | 674 | ~ | 680 |
| N | 1170x990 | 60 | 833 | ~ | 844 | 458 | ~ | 479 |
| A | 1170x990 | 60 | 774 | ~ | 834 | 500 | ~ | 638 |
| M | 1170x990 | 60 | 887 | ~ | 905 | 614 | ~ | 758 |
| "B-L支脚B-L Foot" | 1170x990 | 50 | 909 | ~ | 987 | 620 | ~ | 720 |
| "B-150mm底板 B-150mm Mounting Plate" | 1170x990 | 60 | 899 | ~ | 927 | 749 | ~ | 857 |
| C | 1170x990 | 50 | 885 | ~ | 956 | 755 | ~ | 835 |
| D | 1170x990 | 40 | 932 | ~ | 999 | 730 | ~ | 754 |
| | 1170x990 | 20 | 544 | ~ | 578 | 390 | ~ | 402 |
| E | 1170x990 | 40 | 997 | ~ | 1035 | 802 | ~ | 898 |
| | 1170x990 | 20 | 577 | ~ | 596 | 426 | ~ | 474 |
| F | 1170x990 | 40 | 975 | ~ | 1137 | 850 | ~ | 1090 |
| | 1170x990 | 20 | 566 | ~ | 646 | 450 | ~ | 570 |
| H | 1170x990 | 16 | 682 | ~ | 735 | 586 | ~ | 658 |

注:1) 不含卧式机型, 增焓机型等。

Note: 1) Horizontal models & Enthalpy-increasing models are not included.

内销包装
Domestic
Sales Packing



出口包装
Export
Packing



压缩机标准附件 Compressor Standard Accessories

| 标准附件 Standard Accessories | 内保护器定速机种 Internal Protector Fixed Speed Model | 外保护器定速机种 External Protector Fixed Speed Model | 对应变频机种 Corresponding Inverter Model | |
|------------------------------|---|---|--|-------------------------------|
| | | | 需感温器 With Temp. Sensor | 不需感温器 Without Temp. Sensor |
| 端子罩 Terminal Cover | | ● | | ● |
| | | | ● | |
| | | | | ● |
| 端子垫片 Terminal Gasket | | ● | | ● |
| | | | ● | |
| | | | | ● |
| 端子螺母 Terminal Nut | ● | ● | ● | ● |
| 外置保护器 External Protector | | ● | | |
| 感温器 Temperature Sensor | | | ● | |
| 橡胶垫 Rubber | | ● | ● | ● |
| | | ● | ● | ● |

Technical Services 技术服务



多元化高效精品压缩机产品
Diversified and high quality compressors



性能、噪音、应力等整体式解决方案以及系统技术解决方案
Overall solutions for performance, noise, stress, and system



共同开发
Joint development



快速反应的生产供货服务
Rapid supply & delivery service