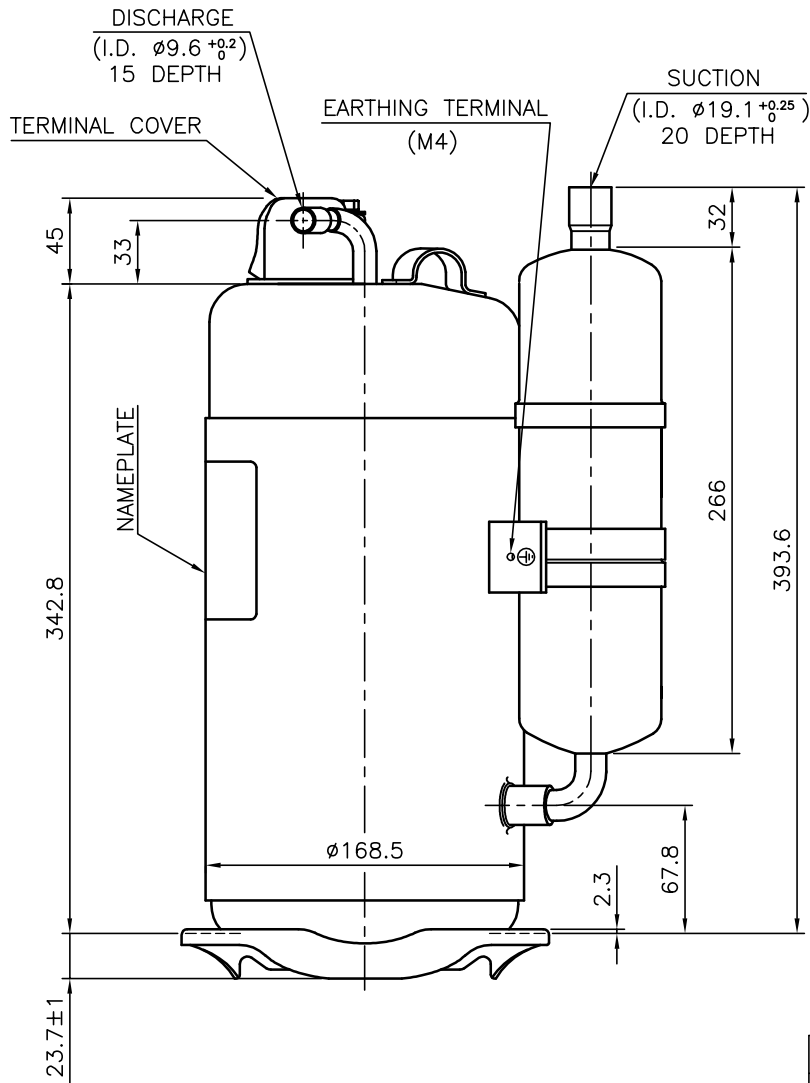
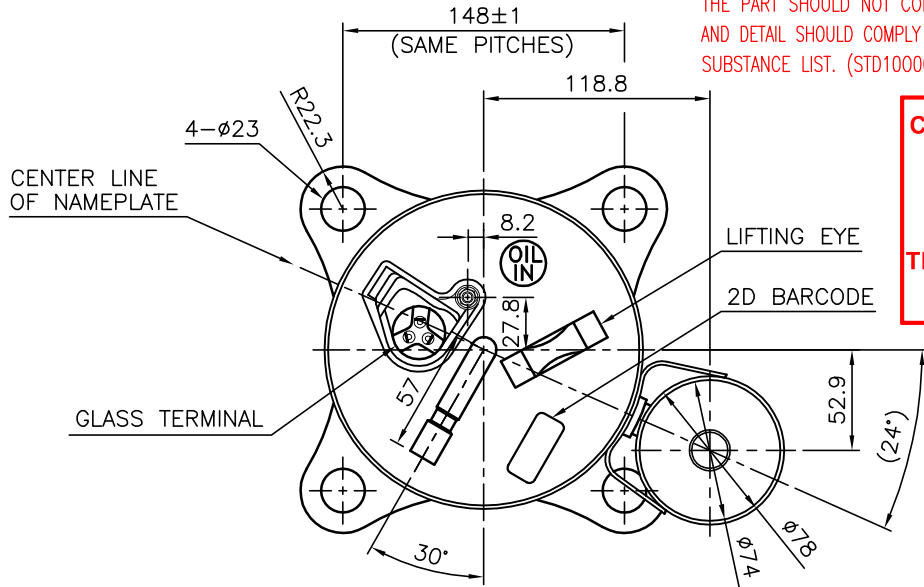


SPECIAL NOTE

THE PART SHOULD NOT CONTAIN PROHIBITED SUBSTANCES AND DETAIL SHOULD COMPLY WITH SCI-RoHS & REACH[SVHC] SUBSTANCE LIST. (STD100001)

CONTROLLED COPY
 Issued Date
 22 AUG 2012
 TECHNICAL DIVISION
 SCI

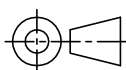
- CHANGE**
- [A1]** (A-1) FORM WAS CHANGE.
 - [A2]** (A-3) SPECIAL NOTE WAS CHANGE.
 - [A3]** (A-3) 2D BARCODE AND STAMPING POSITON WERE ADDED.
 - [A4]** (F-4) UNSPECIFIED TOLERANCE WAS ADDED.
 - [A5]** (F-1) NN SERIES "CA", "CC" TYPE WAS ADDED. 10-11-05 K.CHINNAPONG S.DUMRONGSAK
 - [B1]** (B-3) MODEL NAME AND MFG. DATE WERE CANCELLED. 12-05-31 K.CHINNAPONG S.DUMRONGSAK (NO. NCQ1210141)



UNSPECIFIED TOLERANCE	
SIZE	±3 mm
ANGLE	±3°

NN SERIES "CA", "CC" TYPE

- USE FOR MODEL
- S
 - R
 - T
 - P
 - N
 - A
 - B



SIAM COMPRESSOR INDUSTRY
MITSUBISHI ELECTRIC GROUP

DIM. IN mm.	DATE	06-10-13	APPROVED
SCALE	DRAWN	P.ONUMA, K.NATHANICHA	S.DUMRONGSAK
NTS	CHECKED	S.SUPOT	
	DESIGNED	K.CHINNAPONG	

TITLE		COMPR. OUTLINE DWG.	
DWG. No.	SC01D739	1	1