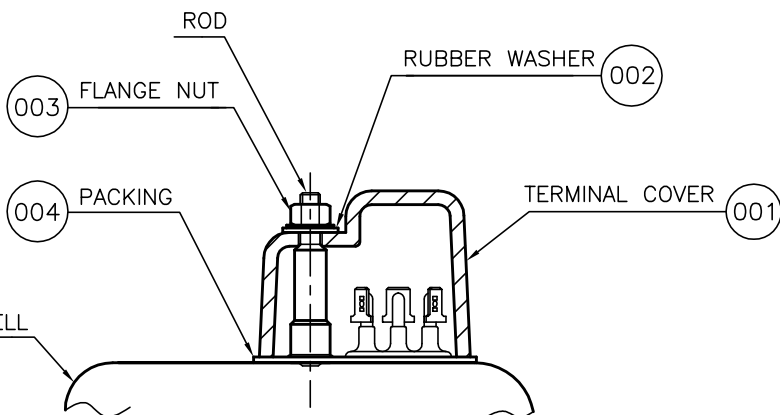
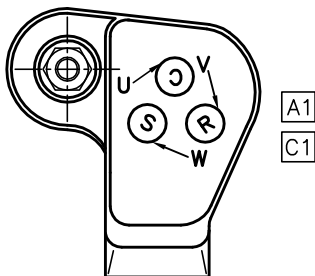
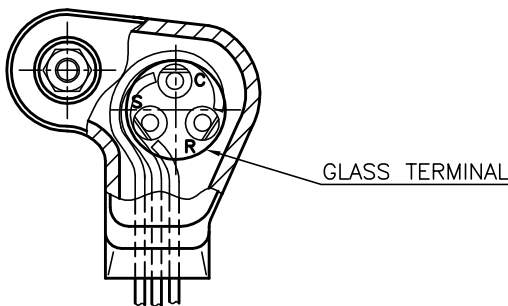


TERMINAL PART ASSY

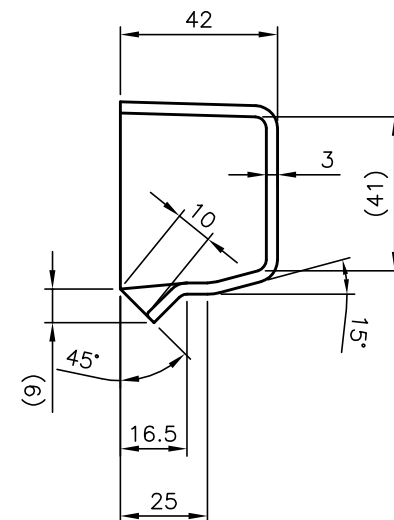
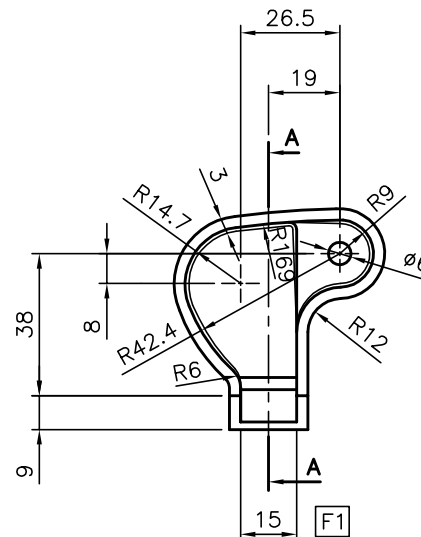
**CONTROLLED COPY**  
 Issued Date  
 16 DEC 2013  
**TECHNICAL DIVISION**  
**SCI**



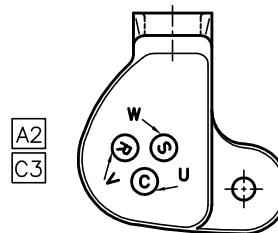
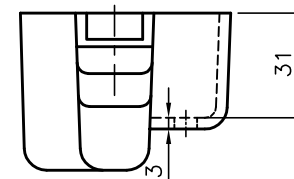
COMPR. SHELL

001 TERMINAL COVER

E1 **SPECIAL NOTE**  
 THE PART SHOULD NOT CONTAIN PROHIBITED SUBSTANCES  
 AND DETAIL SHOULD COMPLY WITH SCI-RoHS & REACH[SVHC]  
 SUBSTANCE LIST. (STD100001)



A-A



NOTES 1. MATERIAL : POLYPHENYLENE ETHER  
 D1 E2 XYRON 500Z or  
 C1 NORYL N300X  
 2. THICKNESS : 3 mm.

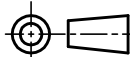
CR25C138H03

CHANGE

G1 (D-6)  
 G1 WAS NORYL PX9406P.  
 13-12-12  
 S.MULLIKA  
 S.DUMRONGSAK  
 (NO. NCQ1300031) | G

USE FOR MODEL

- S
- R
- T
- P
- N
- A
- B



**SIAM COMPRESSOR INDUSTRY**  
 MITSUBISHI ELECTRIC GROUP

DIM. IN mm.

DATE 03-01-09

APPROVED

SCALE

DRAWN K.WILAILAK, K.NATTHANICHA

S.DUMRONGSAK

NTS

CHECKED S.SUPOT

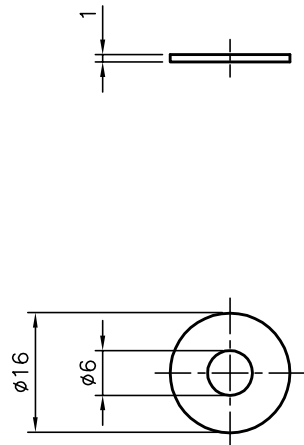
DESIGNED S.MULLIKA

TITLE  
**TERMINAL PART ASSY**

DWG. NO.  
**SC01D024**

1  
 /  
 3

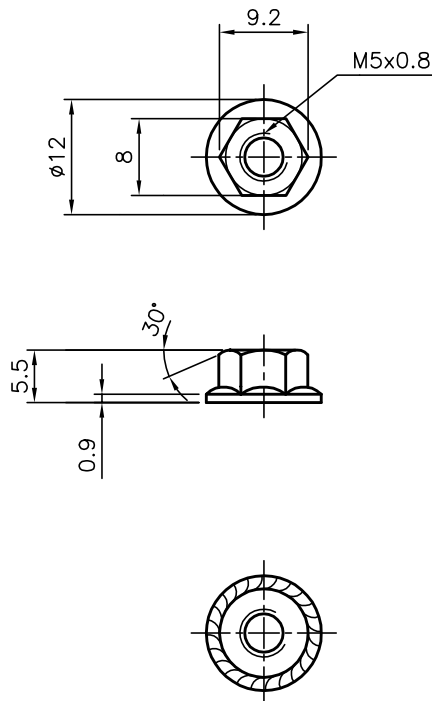
002 RUBBER WASHER



NOTES 1. MATERIAL : CHROLOPLENE RUBBER BLACK  
2. HARDNESS : Hs 60

CR34D115H01

003 FLANGE NUT

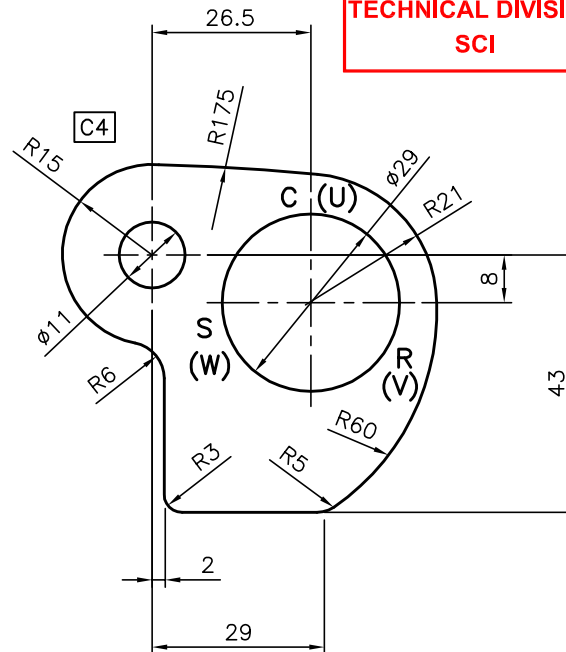


NOTES 1. MATERIAL : SWCH6R  
2. CORROSION PROTECTION : FINISH SILVER

C2

SC12D378H01

004 PACKING



NOTES 1. MATERIAL : ETHYLENE PROPYLENE RUBBER (BLACK)  
2. THICKNESS : 1.5 mm.

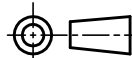
**CONTROLLED COPY**  
Issued Date  
16 DEC 2013  
**TECHNICAL DIVISION**  
**SCI**

CR34D377H01

CHANGE

USE FOR MODEL

- S
- R
- T
- P
- N
- A
- B



DIM. IN mm.

SCALE

(NTS)



SIAM COMPRESSOR INDUSTRY

MITSUBISHI ELECTRIC GROUP

DATE

03-01-09

DRAWN

K.WILAILAK, K.NATTHANICHA

CHECKED

S.SUPOT

DESIGNED

S.MULLIKA

APPROVED

S.DUMRONGSAK

TITLE

TERMINAL PART ASSY

DWG. NO.

SC01D024

2/3

**CHANGE**

**CHANGE**

**CHANGE**

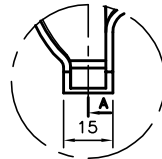
**A1** (B-2)  
WAS ADDED U,V,W.  
**A2** (C-4)  
WAS ADDED U,V,W.  
03-01-09  
S.DUMRONGSAK  
P.PAISARN

CHANGE  
**C4** (B-5)

**F1** (B-5)  
DRAWING WAS AS BELOW.



WAS



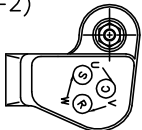
10-10-28  
C.PEERAYOOT  
S.DUMRONGSAK

**CONTROLLED COPY**  
Issued Date  
**16 DEC 2013**  
**TECHNICAL DIVISION**  
**SCI**

PART CODE WAS CHANGE  
(CR12D116H01) TO  
(SC12D378H01).  
06-01-19  
W.SUNPET  
S.DUMRONGSAK

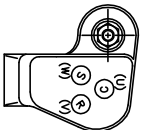
06-11-06  
J.SANTICHAI  
I.KORAKOT (FOR)

**C1** (B-2)



WAS

**D1** (C-5)  
D1 WAS XYRONG702V.  
08-03-07  
J.SANTICHAI  
I.KORAKOT (FOR)  
(NO. NCQ081687)

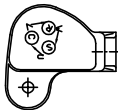


**E1** (A-5)  
SPECIAL NOTE WAS  
CHANGE.

**C2** (C-3)

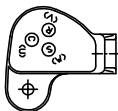
NOTES WAS ADDED.

**C3** (C-4)



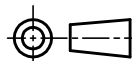
WAS

**E2** (C-6)  
NOTES 1. MATERIAL  
: POLYPHENYLENE  
ETHER XYRON 500Z.  
E3 FORM WAS  
CHANGE.  
10-09-21  
J.SANTICHAI  
S.DUMRONGSAK  
(NO. NCQ1010161)



**USE FOR MODEL**

- S
- R
- T
- P
- N
- A
- B



DIM. IN mm.

SCALE

(NTS)



**SIAM COMPRESSOR INDUSTRY**

**MITSUBISHI ELECTRIC GROUP**

DATE

03-01-09

DRAWN

K.WILAILAK, K.NATTHANICHA

CHECKED

S.SUPOT

DESIGNED

S.MULLIKA

APPROVED

S.DUMRONGSAK

TITLE

**TERMINAL PART ASSY**

DWG. NO.

**SC01D024**

3/3

CHANGE