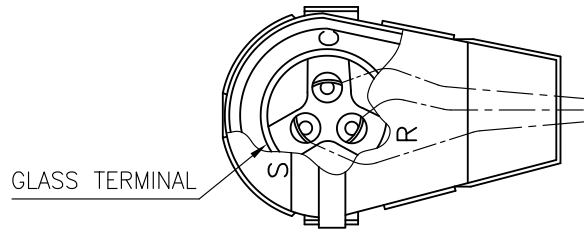
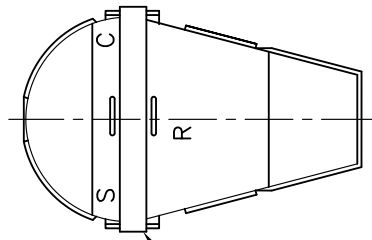


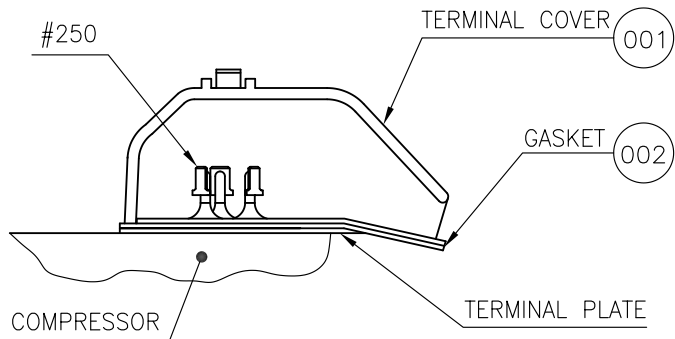
TERMINAL PART ASSY



GLASS TERMINAL



CLIP (003)



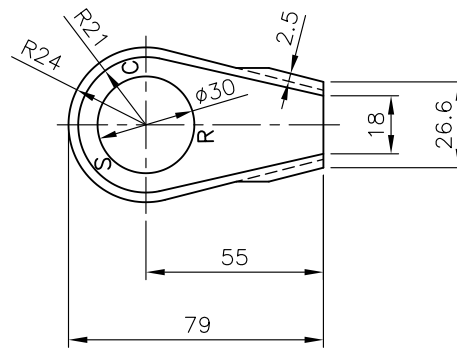
TOP OF COMPRESSOR

TERMINAL PLATE

SPECIAL NOTE

THE PART SHOULD NOT CONTAIN PROHIBITED SUBSTANCES AND DETAIL SHOULD COMPLY WITH SCI-ROHS & REACH[SVHC] SUBSTANCE LIST. (STD100001)

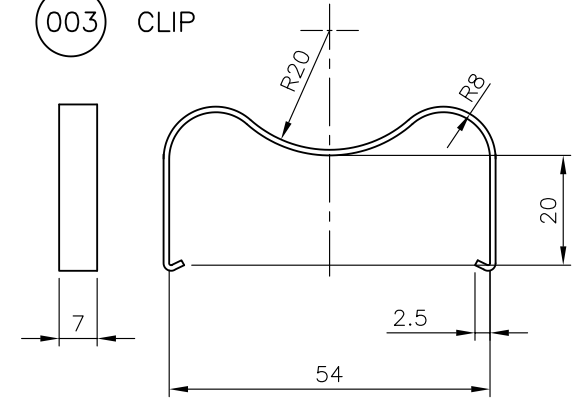
(002) GASKET



NOTES 1. MATERIALS : EPTR
2. THICKNESS : 4 mm.

[B1] SC26D054H01

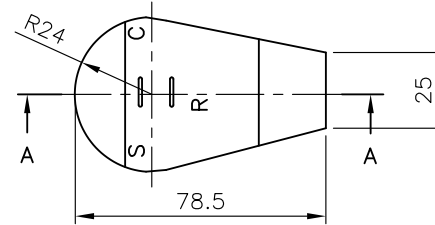
(003) CLIP



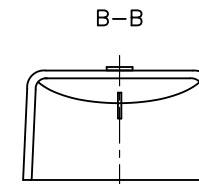
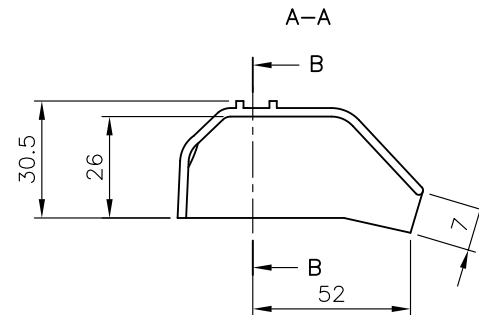
NOTES 1. MATERIAL : STAINLESS STEEL
2. THICKNESS : 0.6 mm.

[B1] CR38D179H01

(001) TERMINAL COVER



NOTES 1. MATERIALS : XYRON 500Z or [C2] NORYL PX9406P
2. THICKNESS : 2 mm.



CONTROLLED COPY
Issued Date
05 OCT 2010
TECHNICAL DIVISION
SCI

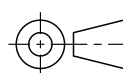
[B1] CR25C046H01

CHANGE

[C1] (B-2) SPECIAL NOTE WAS CHANGE.
[C2] (C-6) MATERIAL CODE NORYL PX9406P WAS ADDED.
[C3] (A-1) FORM WAS CHANGE. 10-09-25 J.SANTICHAI S.DUMRONGSAK (NO. NCQ101161) [C]

USE FOR MODEL

- S
- R
- T
- P
- N
- A
- B



DIM. IN mm.

SCALE

(NTS)



SIAM COMPRESSOR INDUSTRY
MITSUBISHI ELECTRIC GROUP

DATE 00-12-26

DRAWN M.KITTISAK, K.NATTANICHA

CHECKED J.SANTICHAI

DESIGNED K.CHINNAPONG

APPROVED

S.DUMRONGSAK

TITLE

TERMINAL PART ASSY

DWG. NO.

SC01D020

1/2

CHANGE

A1 (B-6)
 A1 WAS
 XYRONG702V.
 08-05-29
 J.SANTICHAI
 I.KORAKOT
 (NO. NCQ08I715) **A**

B1 (B-5)
 B1 WAS GASKET
 (CR26D174H01).
 08-07-02
 J.SUPOT
 I.KORAKOT **B**

A

B

C

D

A

B

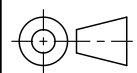
C

D

CONTROLLED COPY
 Issued Date
 05 OCT 2010
TECHNICAL DIVISION
SCI

CHANGE

- USE FOR MODEL
- S
 - R
 - T
 - P
 - N
 - A
 - B



SIAM COMPRESSOR INDUSTRY
MITSUBISHI ELECTRIC GROUP

DIM. IN mm.	DATE	00-12-26	APPROVED
SCALE	DRAWN	M.KITTISAK, K.NATTANICHA	S.DUMRONGSAK
NTS	CHECKED	J.SANTICHAI	
	DESIGNED	K.CHINNAPONG	

TITLE		TERMINAL PART ASSY	
DWG. NO.	SC01D020	2	2