

SPECIFICATIONS for LANHAI HERMETIC COMPRESSOR

R22

QXR-13E

1PH, 220 — 50Hz

Application Range

| | | |
|---------------------|--------------|-------------|
| Compressor Cooling | Natural | |
| Eva. Temp. Range | -10°C ~ 12°C | 14°F ~ 54°F |
| Condensing Temp. | 65°C max. | 149°F max. |
| Return Gas Temp. | 35°C max. | 95°F max. |
| Discharge gas Temp. | 115°C max. | 239°F max. |
| Motor Wire Temp. | 130°C max. | 266°F max. |

Rated Performance

| | |
|-------------|-----------------|
| Capacity | 7208 Btu/2120 W |
| Motor Input | 730 W |
| Current | 3.5 A |
| COP | 2.904 W/W |

Compressor Data

| | |
|------------------|-----------------------------|
| Design | Rolling Piston Typed Rotary |
| Displacement | 13.5 cc/rev |
| Oil / Oil Charge | SUNISO 4GSI / 310ml |
| Weight | 11.3 Kg |

Motor Data

| | |
|------------------------------|-----------------------------|
| Motor Type | 2 Pole Induction (PSC) |
| Rated Output | 698 W |
| Winding Resistance (at 25°C) | Main 4.145 Ω Sub 4.630 Ω |
| Voltage Range | 198 V to 242 V |
| Locked Rotor Amps. | 18.0 A |

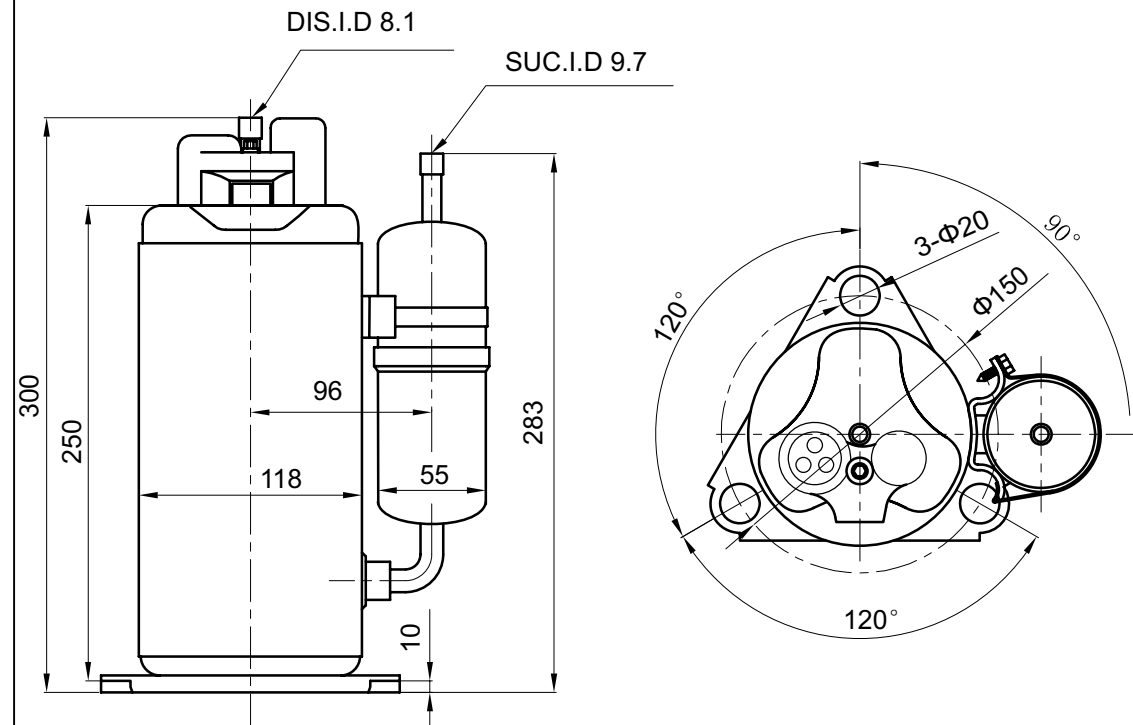
Electrical Components

| | |
|--------------------|------------------------|
| Running Capacitor | 25 μF 450 VAC |
| Overload Protector | External Type B145-140 |

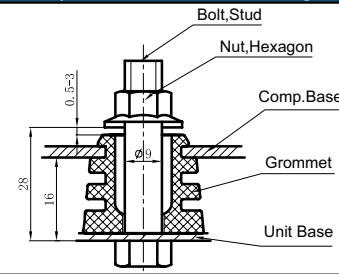
Capacity Test Conditions

| | | |
|-------------------|--------|-------|
| Evaporating Temp. | 7.2°C | 45°F |
| Condensing Temp. | 54.4°C | 130°F |
| Return Gas Temp. | 35.0°C | 95°F |
| Liquid Temp. | 46.1°C | 115°F |
| Ambient Temp. | 35.0°C | 95°F |

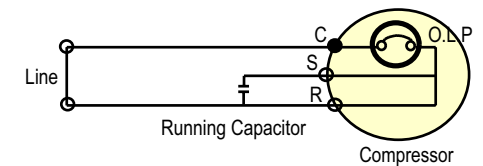
Standard Dimensions(MM)



Compressor Mounting



Wiring Diagram



※ C.S.R mark is embossed on a Cover Terminal