

SPECIFICATIONS for LANHAI HERMETIC COMPRESSOR

R22

QXR-33E

1PH, 220V – 50Hz

Application Range

Compressor Cooling	Natural	
Eva. Temp. Range	-10°C ~ 12°C	14°F ~ 54°F
Condensing Temp.	65°C max.	149°F max.
Return Gas Temp.	35°C max.	95°F max.
Discharge gas Temp.	115°C max.	239°F max.
Motor Wire Temp.	130°C max.	266°F max.

Rated Performance

Capacity	19176 Btu/5640 W
Motor Input	1925 W
Current	9.1 A
COP	2.930 W/W

Compressor Data

Design	Rolling Piston Typed Rotary
Displacement	33.6 cc/rev
Oil / Oil Charge	SUNISO 4GSI / 600ml
Weight	16.7 Kg

Motor Data

Motor Type	2 Pole Induction (PSC)	
Rated Output	1780 W	
Winding Resistance (at 25°C)	Main	Ω
	Sub	Ω
Voltage Range	198 V to 242 V	
Locked Rotor Amps.	A	

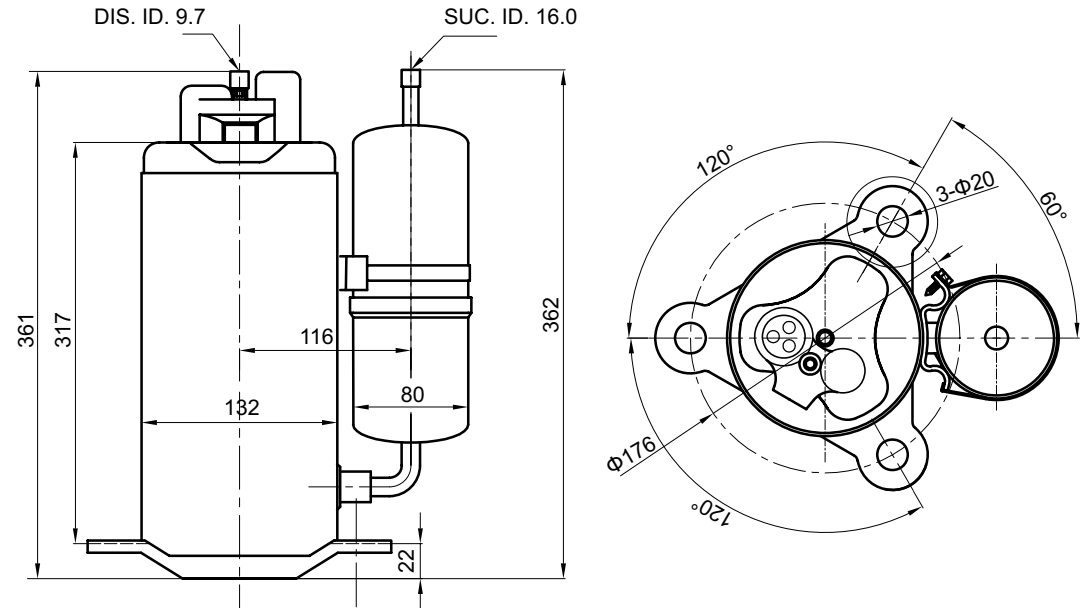
Electrical Components

Running Capacitor	50 μF 450 VAC
Overload Protector	Internal Type

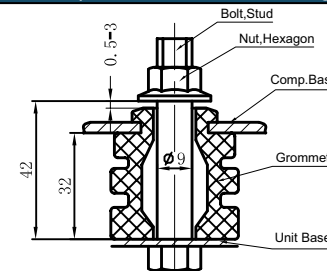
Capacity Test Conditions

Evaporating Temp.	7.2°C	45°F
Condensing Temp.	54.4°C	130°F
Return Gas Temp.	35.0°C	95°F
Liquid Temp.	46.1°C	115°F
Ambient Temp.	35.0°C	95°F

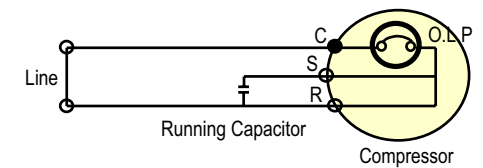
Standard Dimensions(MM)



Compressor Mounting



Wiring Diagram



※ C.S.R mark is embossed on a Cover Terminal