

# SPECIFICATIONS for LANHAI HERMETIC COMPRESSOR

R22

## QXR-41E

1PH, 220V – 50Hz

### Application Range

Compressor Cooling	Natural	
Eva. Temp. Range	-10°C ~ 12°C	14°F ~ 54°F
Condensing Temp.	65°C max.	149°F max.
Return Gas Temp.	35°C max.	95°F max.
Discharge gas Temp.	115°C max.	239°F max.
Motor Wire Temp.	130°C max.	266°F max.

### Rated Performance

Capacity	24004 Btu/7060 W
Motor Input	2360 W
Current	11.2 A
COP	2.991 W/W

### Compressor Data

Design	Rolling Piston Typed Rotary
Displacement	41.7 cc/rev
Oil / Oil Charge	SUNISO 4GSI / 700ml
Weight	22.0 Kg

### Motor Data

Motor Type	2 Pole Induction (PSC)	
Rated Output	2180 W	
Winding Resistance (at 25°C)	Main 1.104 Ω	Sub 4.412 Ω
Voltage Range	198 V to 242 V	
Locked Rotor Amps.	54.0 A	

### Electrical Components

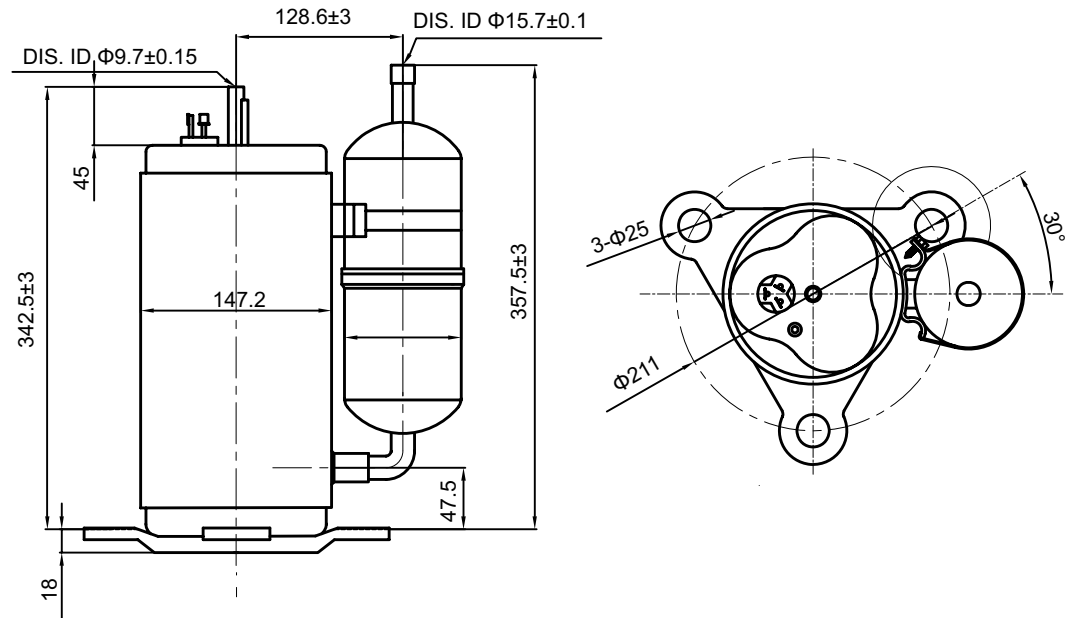
Running Capacitor	50 μF 450 VAC
Overload Protector	Internal Type

### Capacity Test Conditions

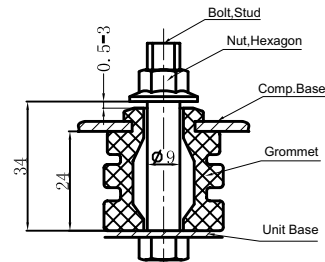
Evaporating Temp.	7.2°C	45°F
Condensing Temp.	54.4°C	130°F
Return Gas Temp.	35.0°C	95°F
Liquid Temp.	46.1°C	115°F
Ambient Temp.	35.0°C	95°F

Specifications are subject to change without notice.  
Normal Performance value ±5%.

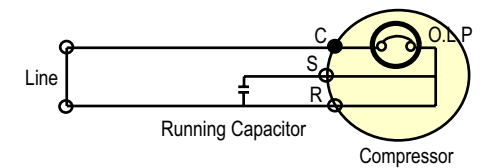
## Standard Dimensions(MM)



## Compressor Mounting



## Wiring Diagram



※ C.S.R mark is embossed on a Cover Terminal