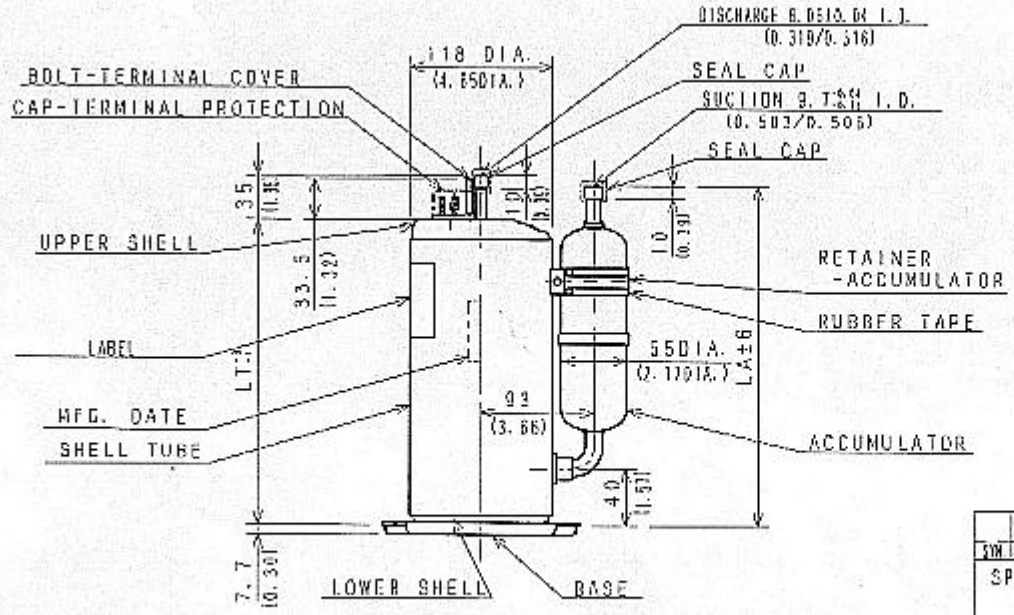
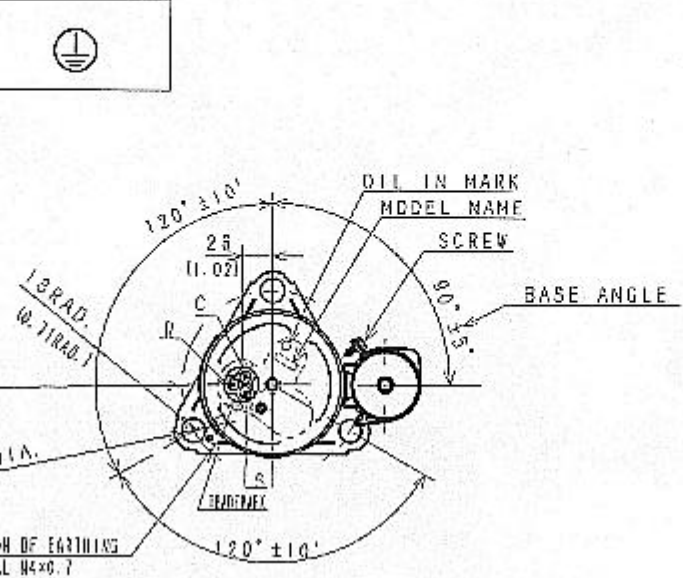
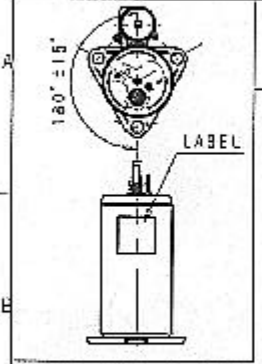


1	2	3	4	5	6	7	8
LABEL LOCATION	EARTH SYMBOL			±1.5 ±3	x		

AD7005120

- NOTES
1. PAINTING : BLACK PAINT BAKED.
  2. OIL : AIKOS K50, SUNISO 4G210 OR EQUIVALENT 350mm<sup>3</sup> CHARGED AND OIL MARK STAMPED ON THE UPPER SHELL.
  3. NITROGEN GAS (COVER ATMOSPHERIC PRESSURE) : CHARGED AFTER DEHYDRATION.
  4. EARTH SYMBOL : SHOWN NEAR THE EARTHING TERMINAL.
  5. ETC. : IDENTIFICATION MARKS FOR COMPRESSOR MANUFACTURING USE MAY BE APPEARED AND ADDITIONAL LABEL MAY BE ATTACHED ON SURFACE.



AD7005120	7005120	2P17S225AMD	249 19.502	258 10.154	6213	J.Y.	
DRAW. NO.	PARTS NO.	MODEL NAME	LT	LA	DATE	CHECKED	CHECKED

UNIT : mm (INCH)

SPECIFICATION		PART NO.		MATERIAL & SIZE		REMARK	
SCALE	FREED	DESIGN	ENGINEER	COMPRESSOR ASS'Y			
AD7005120				AD7005120			