

K

WIRING DIAGRAM & ACCESSORY FITTING
MODEL: K SERIES

No.

SC-W-52170038-C

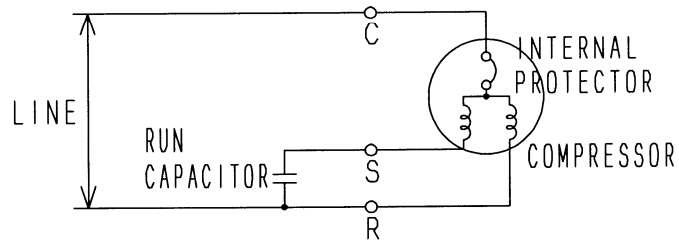
DATE OF APPROVAL

'02.1.28

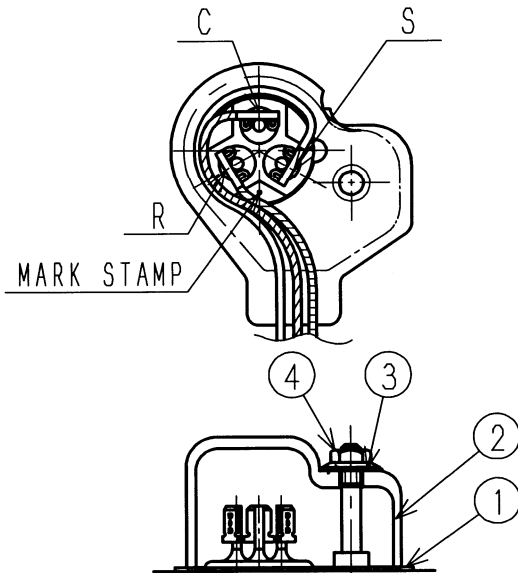
APPROVED BY

T.S

WIRING DIAGRAM



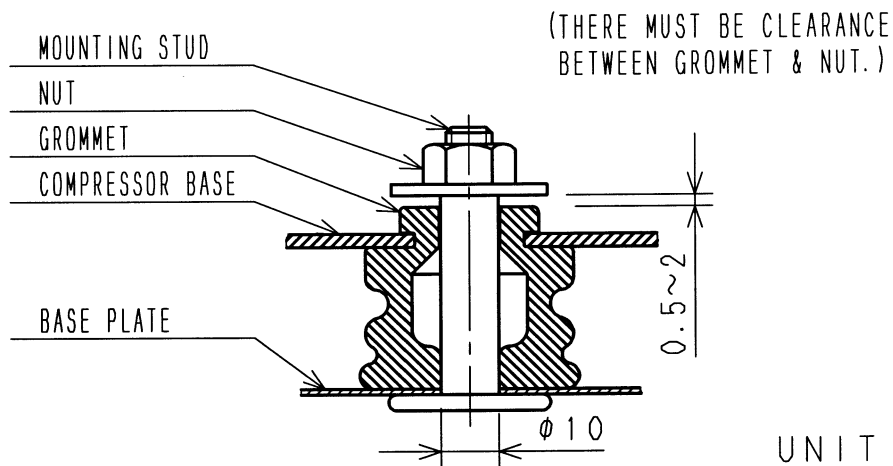
ACCESSORY FITTING



| P A R T S | |
|-----------|-----------------------|
| 1 | GASKET-TERMINAL COVER |
| 2 | TERMINAL COVER |
| 3 | GASKET-NUT |
| 4 | NUT-TERMINAL COVER |
| | |
| | |

FASTEN NUT④ WITH TORQUE
15~20kg·cm

MOUNTING (EXAMPLE)



UNIT : mm