

V

WIRING DIAGRAM & ACCESSORY FITTING
MODEL: V SERIES

No.

SC-W-52171969-B

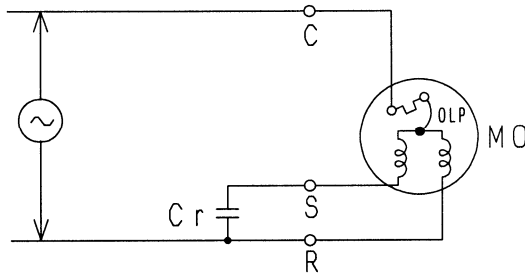
DATE OF APPROVAL

'02.1.28

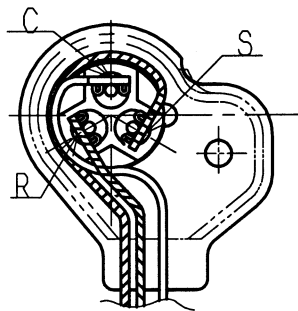
APPROVED BY

J.S.

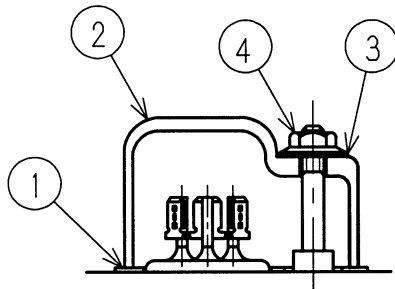
WIRING DIAGRAM



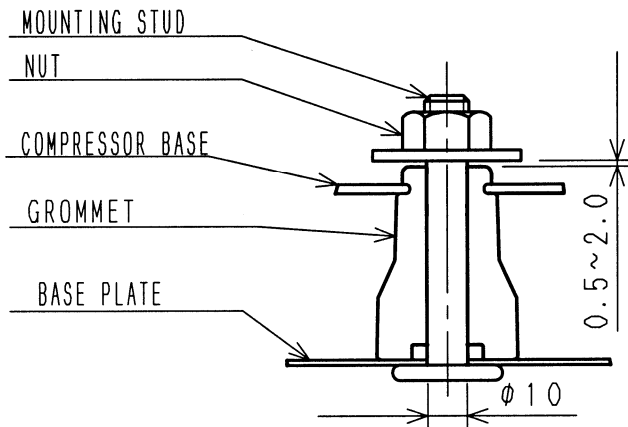
ACCESSORY FITTING



P A R T S	
1	GASKET-TERMINAL COVER
2	TERMINAL COVER
3	GASKET-NUT
4	NUT-TERMINAL COVER



MOUNTING (EXAMPLE)



(THERE MUST BE CLEARANCE BETWEEN GROMMET & NUT.)

UNIT : mm