

K

WIRING DIAGRAM & ACCESSORY FITTING  
MODEL: K SERIES

No.

SC-W-52170038-C

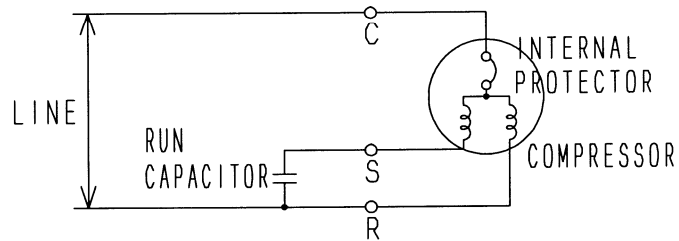
DATE OF APPROVAL

'02.1.28

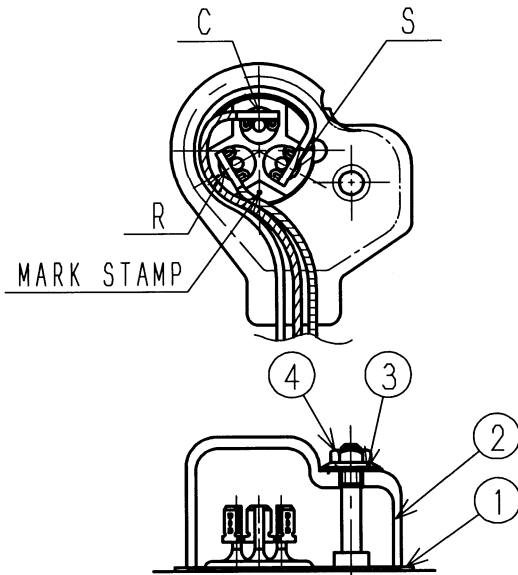
APPROVED BY

T.S

WIRING DIAGRAM



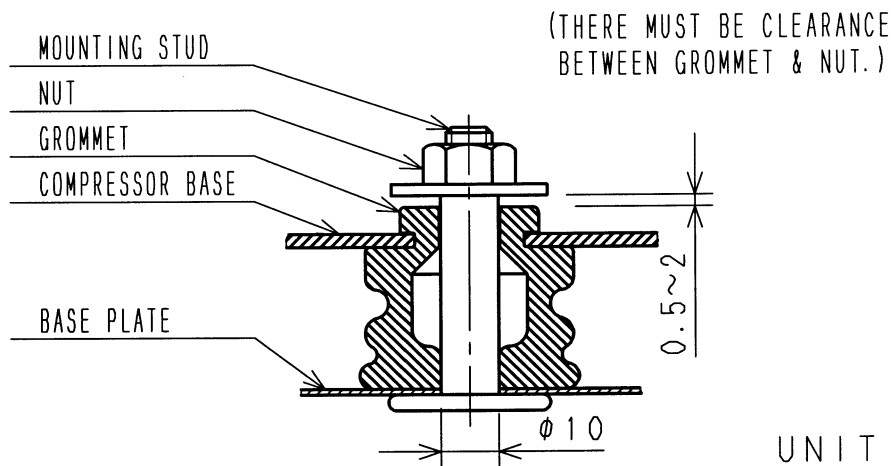
ACCESSORY FITTING



P A R T S	
1	GASKET-TERMINAL COVER
2	TERMINAL COVER
3	GASKET-NUT
4	NUT-TERMINAL COVER

FASTEN NUT④ WITH TORQUE  
15~20kg·cm

MOUNTING (EXAMPLE)



UNIT : mm