

SC21/21CL LBP Twin Compressor R404A/R507 220-240V 50Hz

Data Sheet (Replaces CF.54.J1.02)

General

Compressor	SC21/21CL
Code number	104L4094

Application

Application	LBP	
Evaporating temperature range	°C	-45 to -10
Voltage range	V/Hz	198 - 254 /50
Motor type	CSR	
Max. ambient temperature	°C	38
Comp. cooling at ambient temp.	32°C	F ₂
	38°C	F ₂

Design

Displacement	cm ³	2 x 20.95
Oil quantity	cm ³	1220
Maximum refrigerant charge	g	2200
Free gas vol. in compressor	cm ³	2920
Weight without electrical equipment	kg	29.1

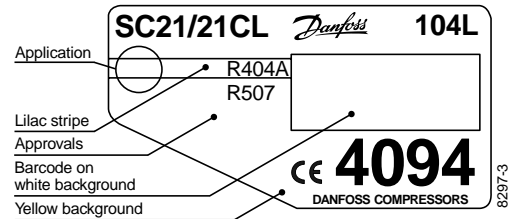
Motor

Motor size	watt	2 x 590
LRA (rated after 4 sec. UL984) HST*	A	23.4
Cut-in current HST*	A	23.4
Resistance, main and start winding (25°C)	Ω	3.4/14.4
Approvals	EN 60335-2-34	

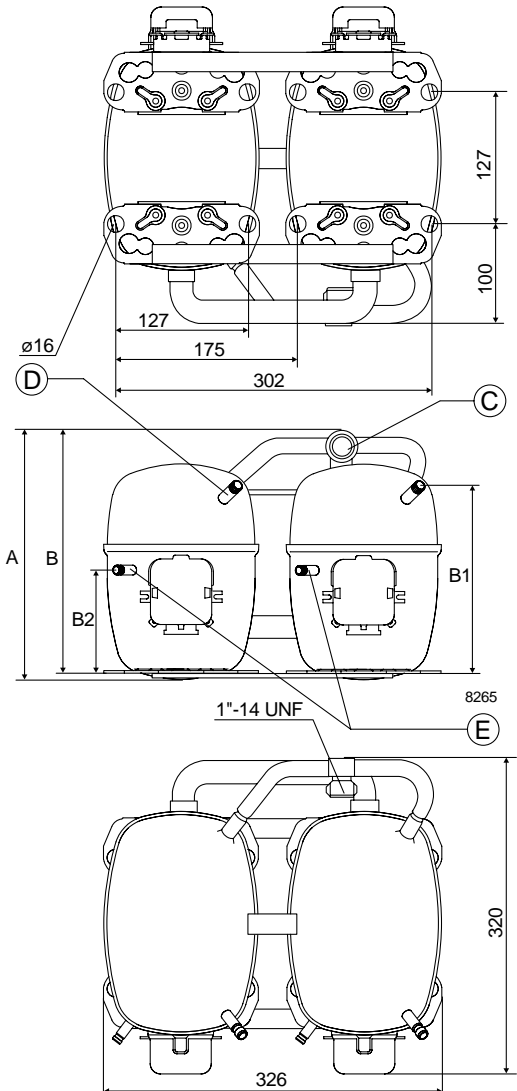
* Operational current for the second compressor time-delayed.

Dimensions

Height	mm	A	259
		B	254
		B1	193
		B2	110
Suction connector			
Service valve	location/I.D. mm	C	16
Solder connector	location/I.D. mm	C	16
Process connector	location/I.D. mm	D	6.2 ±0.09
Discharge connector	location/I.D. mm	E	6.2 ±0.09
Compressors on a pallet	pcs.		18



- S = Static cooling normally sufficient
- O = Oil cooling
- F₁ = Fan cooling 1.5 m/s
(compressor compartment temperature equal to ambient temperature)
- F₂ = Fan cooling 3.0 m/s necessary



Capacity (EN 12900/CECOMAF)

watt

Comp. °C	-45	-40	-35	-30	-25	-23.3	-20	-15	-10
SC21/21CL	452	650	910	1235	1626	1774	2084	2613	3213

Capacity (ASHRAE)

watt

Comp. °C	-45	-40	-35	-30	-25	-23.3	-20	-15	-10
SC21/21CL	525	755	1059	1437	1893	2068	2430	3049	3753

Power consumption

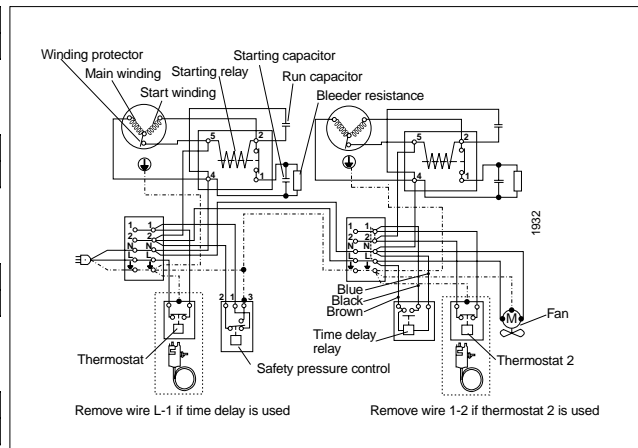
watt

Comp. °C	-45	-40	-35	-30	-25	-23.3	-20	-15	-10
SC21/21CL	799	924	1068	1230	1404	1466	1589	1782	1978

Current consumption

A

Comp. °C	-45	-40	-35	-30	-25	-23.3	-20	-15	-10
SC21/21CL	4.80	5.27	5.88	6.61	7.42	7.71	8.28	9.15	9.99



COP (EN 12900/CECOMAF)

W/W

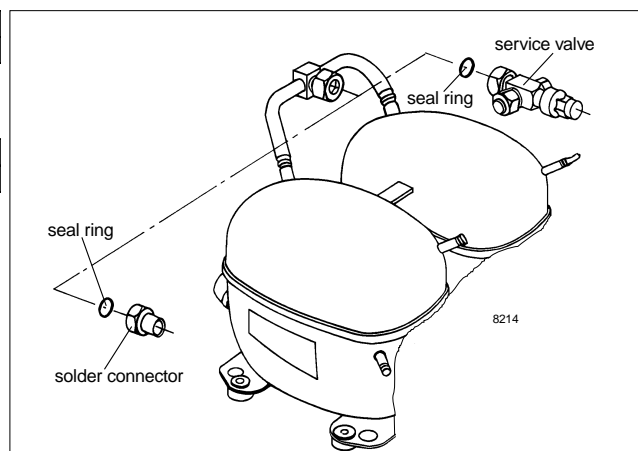
Comp. °C	-45	-40	-35	-30	-25	-23.3	-20	-15	-10
SC21/21CL	0.57	0.70	0.85	1.00	1.16	1.21	1.31	1.47	1.62

COP (ASHRAE)

W/W

Comp. °C	-45	-40	-35	-30	-25	-23.3	-20	-15	-10
SC21/21CL	0.66	0.82	0.99	1.17	1.35	1.41	1.53	1.71	1.90

Test conditions	EN 12900/CECOMAF	ASHRAE
Condensing temperature	45°C	45°C
Ambient and suction gas temp.	32°C	32°C
Liquid temperature	45°C	32°C
Fan cooling F ₂ , 220V 50Hz		



Accessories

Devices	pcs.	SC21/21CL
Starting device	2	117-7012 (470 mm cable length) 117-7027 (550 mm cable length)
Cover	2	103N2009
Cord relief	2	103N1004
Time-delay relay	1	117N0001
Check valve (to be used with time-delay relay)	2	020-1014
Service valve	1	118-7351 (16 mm)
Solder connector (alternative)	1	118-7405 (16 mm)
Seal ring for service valve and solder connector	1	118-3638
Mounting accessories	2	118-1917 118-1918