

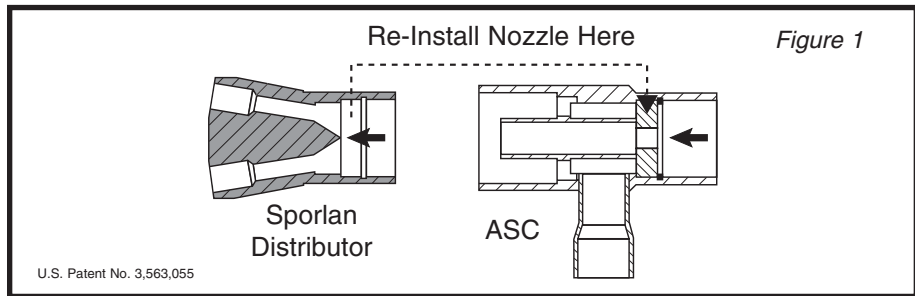
# SPORLAN

## Auxiliary Side Connectors

### Installation Instructions

The auxiliary side connector (**ASC**) permits the conversion of *Conventional* Sporlan refrigerant distributors for hot gas bypass, hot gas defrost, or reverse cycle service. Sporlan ASC's are for use with Sporlan Distributors only. Refer to Bulletin 20-10 for complete selection and application information.

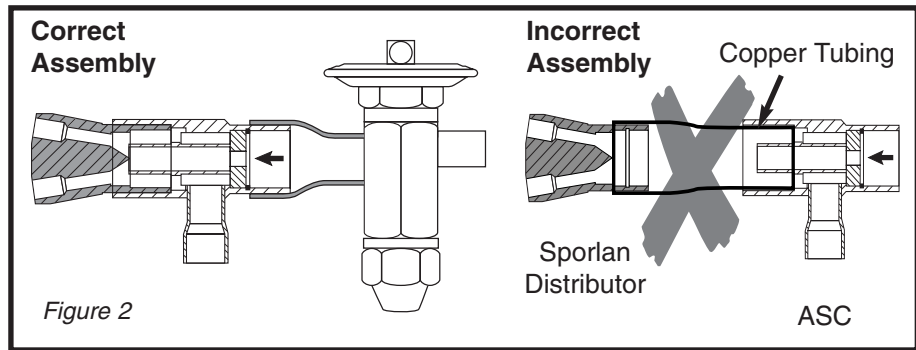
1. Remove the nozzle and retainer ring from the conventional refrigerant distributor and re-install in the inlet of the side connector. *See Figure 1.*



FOR USE ON REFRIGERATION and/or AIR CONDITIONING SYSTEMS ONLY

Copyright 2002 by Sporlan Valve Company, Washington, Missouri

2. The outlet portion of the **ASC** is slipped **over** the distributor inlet and brazed in place. Do **NOT** place tubing between ASC and distributor. See *Figure 2*.



3. The inlet of the ASC is slipped **into** the thermostatic expansion valve outlet and brazed in place. See *Figure 2*.
4. The auxiliary side connection is made as required by the particular application.