



Compressor
Voltage Code : FZ

FH4522F

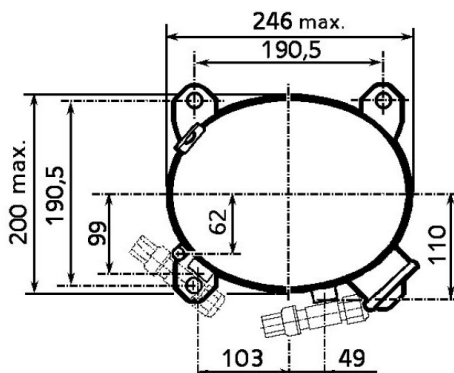
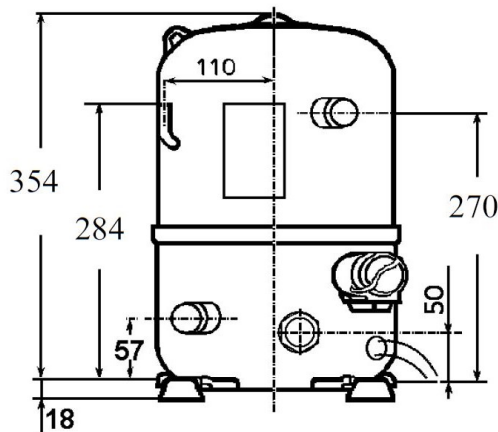
High Temp. Commercial (HP)

220 - 240V 1~ 50 Hz

R22

AHC4522EFZ

| Conditions | Frequency | Nominal Cooling Capacity | | Sound Power ISO3745 / ISO 3743-1 |
|------------------|-----------|--------------------------|-------|-------------------------------------|
| | | Watts | BTU/h | |
| EN12900_HP / R22 | 50 Hz | 4829 | 16469 | 67 dBA |



| | |
|-------------------------------------|--------------------------------|
| Displacement (cc) | 39,95 |
| Net Weight (Kg) | 32.0 |
| Oil Quantity (cc) | 1330.0 |
| Oil Type | Mineral |
| Expansion Device | Capillary_Tube/Expansion_Valve |
| Cooling | Fan |
| Main Winding (Ohm) | 1.3 |
| Start Winding (Ohm) | 4.21 |
| Current | |
| RLA (A) | 8.4 |
| MCC (A) | 12.1 |
| LRA (A) | 46 |
| Electrical Equipment | CSR |
| Overload | Interne |
| Start Capacitor | 125 µF / 330 V |
| Run Capacitor | 30 µF / 400 V |
| Potential Relay | RVA4I** |
| Pick Up | 204/233V |
| Drop Out | 50/110V |
| Optional | 3ARR3*6AU* |
| Refrigerating connection for | |
| Suction Tube | 15.9 (5/8") |
| Discharge Tube | 12.7 (1/2") |
| Process Tube | 6.35 (1/4") |

* EN12900_HP : T°Cond. 50.0°C / T°Evap. 5.0°C / T°Return gas temp.. 20.0°C
T°Subcooling. 0.0K

Certificates :



Note : Tecumseh reserves the right to change information contained in this document without notification.



Tecumseh

| | |
|----------------|---|
| FH4522F | Tension FZ : 220 - 240V 1~ 50 Hz |
|----------------|---|

Les performances sont données dans les **conditions EN12900_HP** :
 Condition Dew
 The performance data are in **EN12900_HP conditions** :
 Dew Condition

Gaz aspirés : 20.0 °C
 Sous refroidissement : 0.0 K
 Return gas : 20.0 °C
 Subcooling : 0.0 K

50 Hz R22

N°236CT-F

| 4 T condensation | 5 T évaporation | (°C) | -20 | -15 | -10 | -5 | 0 | 5 | 10 | 15 |
|--------------------|--------------------|--------|------------|------------|------------|-----------|----------|----------|-----------|-----------|
| 40 | 1 P frigorifique | (Watt) | 1643 | 2210 | 2903 | 3719 | 4655 | 5705 | 6867 | 8136 |
| | 2 P absorbée | (W) | 1216 | 1303 | 1396 | 1494 | 1596 | 1704 | 1816 | 1933 |
| | 3 I absorbée | (A) | 5.31 | 5.89 | 6.42 | 6.92 | 7.38 | 7.81 | 8.20 | 8.55 |
| 50 | 1 P frigorifique | (Watt) | 1283 | 1774 | 2379 | 3092 | 3911 | 4829 | 5845 | 6951 |
| | 2 P absorbée | (W) | 1149 | 1291 | 1434 | 1579 | 1725 | 1872 | 2020 | 2170 |
| | 3 I absorbée | (A) | 5.00 | 5.75 | 6.47 | 7.15 | 7.80 | 8.42 | 8.99 | 9.54 |
| 60 | 1 P frigorifique | (Watt) | | 1311 | 1836 | 2457 | 3167 | 3964 | 4842 | 5795 |
| | 2 P absorbée | (W) | | 1278 | 1473 | 1665 | 1854 | 2042 | 2227 | 2410 |
| | 3 I absorbée | (A) | | 5.64 | 6.53 | 7.40 | 8.23 | 9.03 | 9.79 | 10.5 |

© 2023 Tecumseh Products Company
All rights reserved

1 = cooling capacity 2 = power input 3 = current 4 = condensing temperature 5 = evaporating temperature

Nota : Tecumseh se réserve le droit de modifier les informations contenues dans ce document sans préavis.

Note : Tecumseh reserves the right to change information contained in this document without notification.