



Compressor
Voltage Code : FZ

FH4531F

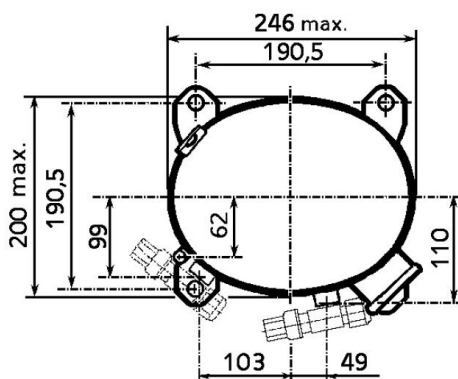
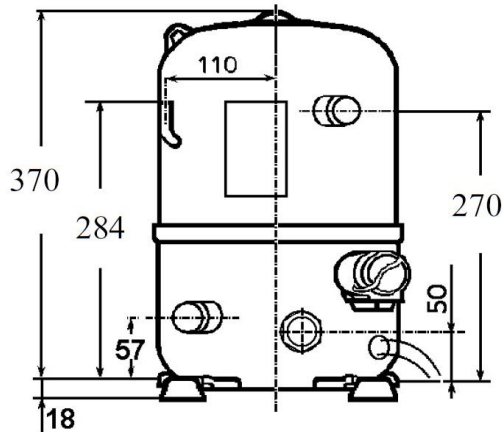
High Temp. Commercial (HP)

220 - 240V 1~ 50 Hz

R22

AHC4531EFZ

Conditions	Frequency	Nominal Cooling Capacity		Sound Power ISO3745 / ISO 3743-1
		Watts	BTU/h	
EN12900_HP / R22	50 Hz	7057	24064	71 dBA



* EN12900_HP : T°Cond. 50.0°C / T°Evap. 5.0°C / T°Return gas temp.. 20.0°C
T°Subcooling. 0.0K

Certificates :



Displacement (cc)	56,65
Net Weight (Kg)	36.0
Oil Quantity (cc)	1330.0
Oil Type	Mineral
Expansion Device	Capillary_Tube/Expansion_Valve
Cooling	Fan
Main Winding (Ohm)	0.89
Start Winding (Ohm)	3.19
Current	
RLA (A)	12.6
MCC (A)	21
LRA (A)	66
Electrical Equipment	CSR
Overload	Interne
Start Capacitor	156 µF / 330 V
Run Capacitor	35 µF / 400 V
Potential Relay	RVA4L**
Pick Up	223/259V
Drop Out	50/110V
Optional	3ARR3*6AV*
Refrigerating connection for	
Suction Tube	22.2 (7/8")
Discharge Tube	12.7 (1/2")
Process Tube	6.35 (1/4")

Note : Tecumseh reserves the right to change information contained in this document without notification.



Tecumseh

FH4531F	Tension FZ : 220 - 240V 1~ 50 Hz
----------------	---

Les performances sont données dans les conditions EN12900_HP : Condition Dew	Gaz aspirés : 20.0 °C Sous refroidissement : 0.0 K
The performance data are in EN12900_HP conditions : Dew Condition	Return gas : 20.0 °C Subcooling : 0.0 K

50 Hz R22

N°236JT-F

4 T condensation	5 T évaporation	(°C)	-20	-15	-10	-5	0	5	10	15
40	1 P frigorifique	(Watt)	2758	3625	4620	5740	6980	8337	9806	11382
	2 P absorbée	(W)	1728	1875	2026	2181	2340	2502	2668	2837
	3 I absorbée	(A)	7.92	8.81	9.66	10.5	11.2	11.9	12.6	13.2
50	1 P frigorifique	(Watt)	2145	2908	3785	4772	5864	7057	8346	9725
	2 P absorbée	(W)	1631	1858	2082	2306	2528	2749	2968	3186
	3 I absorbée	(A)	7.45	8.61	9.73	10.8	11.9	12.9	13.8	14.8
60	1 P frigorifique	(Watt)		2151	2923	3791	4748	5791	6914	8110
	2 P absorbée	(W)		1839	2138	2431	2717	2998	3272	3539
	3 I absorbée	(A)		8.44	9.83	11.2	12.5	13.8	15.1	16.3

© 2023 Tecumseh Products Company
All rights reserved

1 = cooling capacity 2 = power input 3 = current 4 = condensing temperature 5 = evaporating temperature

Nota : Tecumseh se réserve le droit de modifier les informations contenues dans ce document sans préavis.
Note : Tecumseh reserves the right to change information contained in this document without notification.