



Compressor
Voltage Code : FZ

FH4531Z

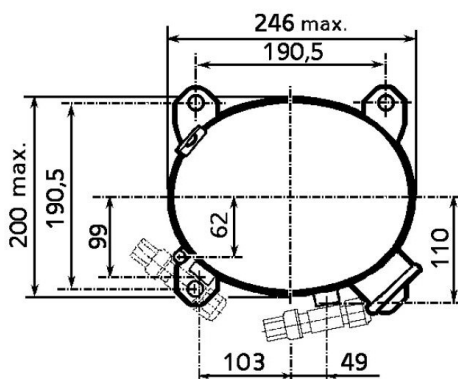
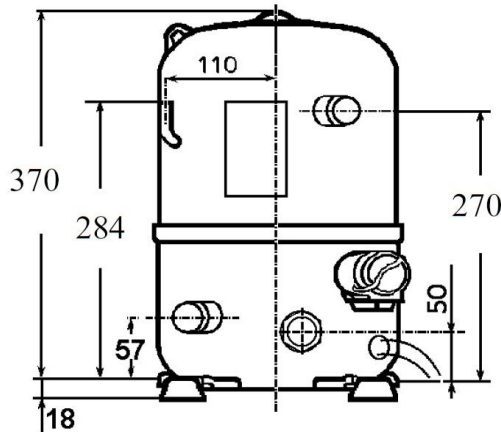
High Temp. Commercial (HP)

220 - 240V 1~ 50 Hz

R452A / R404A / R448A / R449A

AHC4531ZFZ

Conditions	Frequency	Nominal Cooling Capacity		Sound Power ISO3745 / ISO 3743-1
		Watts	BTU/h	
EN12900_HP / R452A	50 Hz	6740	22984	75 dBA
EN12900_HP / R404A	50 Hz	6724	22928	75 dBA
EN12900_HP / R448A	50 Hz	6747	23007	75 dBA
EN12900_HP / R449A	50 Hz	6747	23007	75 dBA



* EN12900_HP : T°Cond. 50.0°C / T°Evap. 5.0°C / T°Return gas temp.. 20.0°C
T°Subcooling. 0.0K

Certificates :



Displacement (cc)	56,6
Net Weight (Kg)	36.0
Oil Quantity (cc)	1330.0
Oil Type	Polyolester
Expansion Device	Capillary_Tube/Expansion_Valve
Cooling	Fan
Main Winding (Ohm)	0.9
Start Winding (Ohm)	3.2
Current	
RLA (A)	14.1
MCC (A)	22.4
LRA (A)	66
Electrical Equipment	CSR
Overload	Interne
Start Capacitor	156 µF / 330 V
Run Capacitor	35 µF / 400 V
Potential Relay	RVA6M**
Pick Up	239/268V
Drop Out	60/135V
Optional	3ARR3*4AA*
Refrigerating connection for	
Suction Tube	22.2 (7/8")
Discharge Tube	12.7 (1/2")
Process Tube	6.35 (1/4")

Note : Tecumseh reserves the right to change information contained in this document without notification.



Tecumseh

FH4531Z	Tension FZ : 220 - 240V 1~ 50 Hz
----------------	---

Les performances sont données dans les **conditions EN12900_HP** :
 Condition Dew
 The performance data are in **EN12900_HP conditions** :
 Dew Condition

Gaz aspirés : 20.0 °C
 Sous refroidissement : 0.0 K
 Return gas : 20.0 °C
 Subcooling : 0.0 K

50 Hz R452A											
											N°2119
4 T condensation	5 T évaporation	(°C)	-25	-20	-15	-10	-5	0	5	10	15
30	1 P frigorifique	(Watt)	2265	3269	4307	5419	6647	8031	9611	11427	13521
	2 P absorbée	(W)	1368	1627	1831	1998	2143	2284	2437	2618	2843
	3 I absorbée	(A)	6.11	7.11	8.02	8.84	9.56	10.2	10.7	11.2	11.6
40	1 P frigorifique	(Watt)		2331	3379	4451	5589	6832	8221	9797	11601
	2 P absorbée	(W)		1551	1860	2111	2322	2509	2688	2877	3091
	3 I absorbée	(A)		6.92	8.12	9.23	10.2	11.2	12.0	12.8	13.4
50	1 P frigorifique	(Watt)			2359	3391	4438	5541	6740	8076	9589
	2 P absorbée	(W)			1770	2132	2435	2695	2928	3151	3380
	3 I absorbée	(A)			7.90	9.31	10.6	11.9	13.0	14.1	15.0
60	1 P frigorifique	(Watt)				2265	3223	4186	5195	6290	7513
	2 P absorbée	(W)				2035	2457	2817	3130	3414	3685
	3 I absorbée	(A)				9.08	10.7	12.2	13.7	15.0	16.3

50 Hz R404A											
											N°226JT-F
4 T condensation	5 T évaporation	(°C)	-25	-20	-15	-10	-5	0	5	10	15
30	1 P frigorifique	(Watt)	2415	3444	4498	5616	6841	8214	9774	11564	13623
	2 P absorbée	(W)	1450	1716	1925	2093	2239	2377	2526	2703	2924
	3 I absorbée	(A)	6.48	7.51	8.43	9.26	9.99	10.6	11.1	11.6	11.9
40	1 P frigorifique	(Watt)	1367	2456	3517	4590	5716	6937	8292	9823	11570
	2 P absorbée	(W)	1252	1645	1960	2215	2427	2611	2786	2968	3174
	3 I absorbée	(A)	6.00	7.33	8.56	9.68	10.7	11.6	12.5	13.2	13.8
50	1 P frigorifique	(Watt)		1380	2449	3477	4505	5573	6724	7997	9433
	2 P absorbée	(W)		1427	1876	2244	2548	2806	3033	3247	3465
	3 I absorbée	(A)		6.84	8.37	9.80	11.1	12.3	13.5	14.5	15.4
60	1 P frigorifique	(Watt)			1324	2308	3238	4156	5103	6118	7244
	2 P absorbée	(W)			1646	2155	2579	2936	3243	3517	3774
	3 I absorbée	(A)			7.88	9.61	11.2	12.8	14.2	15.5	16.7



1 = cooling capacity 2 = power input 3 = current 4 = condensing temperature 5 = evaporating temperature

Nota : Tecumseh se réserve le droit de modifier les informations contenues dans ce document sans préavis.

Note : Tecumseh reserves the right to change information contained in this document without notification.

© 2023 Tecumseh Products Company
All rights reserved



Tecumseh

FH4531Z	Tension FZ : 220 - 240V 1~ 50 Hz
----------------	---

Les performances sont données dans les conditions EN12900_HP :	Gaz aspirés :	20.0 °C
Condition Dew	Sous refroidissement :	0.0 K
The performance data are in EN12900_HP conditions :	Return gas :	20.0 °C
Dew Condition	Subcooling :	0.0 K

50 Hz R448A (*)											
											N°2845
4 T condensation	5 T évaporation	(°C)	-25	-20	-15	-10	-5	0	5	10	15
30	1 P frigorifique	(Watt)	1994	2955	3963	5057	6277	7664	9257	11096	13222
	2 P absorbée	(W)	1276	1514	1706	1866	2008	2145	2293	2465	2675
	3 I absorbée	(A)	5.70	6.62	7.47	8.26	8.96	9.58	10.1	10.5	10.9
40	1 P frigorifique	(Watt)		2114	3133	4195	5338	6603	8030	9659	11530
	2 P absorbée	(W)		1456	1744	1982	2184	2364	2536	2714	2912
	3 I absorbée	(A)		6.49	7.61	8.66	9.64	10.5	11.3	12.1	12.7
50	1 P frigorifique	(Watt)			2219	3255	4328	5479	6747	8173	9796
	2 P absorbée	(W)			1672	2018	2310	2562	2789	3003	3220
	3 I absorbée	(A)			7.46	8.81	10.1	11.3	12.4	13.4	14.3
60	1 P frigorifique	(Watt)				2276	3286	4329	5445	6674	8057
	2 P absorbée	(W)				1935	2348	2703	3014	3295	3561
	3 I absorbée	(A)				8.63	10.2	11.7	13.2	14.5	15.8

50 Hz R449A (*)											
											N°2235
4 T condensation	5 T évaporation	(°C)	-25	-20	-15	-10	-5	0	5	10	15
30	1 P frigorifique	(Watt)	1994	2955	3963	5057	6277	7664	9257	11096	13222
	2 P absorbée	(W)	1276	1514	1706	1866	2008	2145	2293	2465	2675
	3 I absorbée	(A)	5.70	6.62	7.47	8.26	8.96	9.58	10.1	10.5	10.9
40	1 P frigorifique	(Watt)		2114	3133	4195	5338	6603	8030	9659	11530
	2 P absorbée	(W)		1456	1744	1982	2184	2364	2536	2714	2912
	3 I absorbée	(A)		6.49	7.61	8.66	9.64	10.5	11.3	12.1	12.7
50	1 P frigorifique	(Watt)			2219	3255	4328	5479	6747	8173	9796
	2 P absorbée	(W)			1672	2018	2310	2562	2789	3003	3220
	3 I absorbée	(A)			7.46	8.81	10.1	11.3	12.4	13.4	14.3
60	1 P frigorifique	(Watt)				2276	3286	4329	5445	6674	8057
	2 P absorbée	(W)				1935	2348	2703	3014	3295	3561
	3 I absorbée	(A)				8.63	10.2	11.7	13.2	14.5	15.8

1 = cooling capacity 2 = power input 3 = current 4 = condensing temperature 5 = evaporating temperature

(*) Veuillez vous référer strictement aux Recommandations d'Utilisation et Bulletins Marketing Tecumseh du fait de la température de refoulement élevée pour les applications LBP.
 (*) Due to very high discharge temperature especially on LBP conditions, please strictly refer to Tecumseh Guidelines & Marketing Bulletin when using this refrigerant.

Nota : Tecumseh se réserve le droit de modifier les informations contenues dans ce document sans préavis.

Note : Tecumseh reserves the right to change information contained in this document without notification.

© 2023 Tecumseh Products Company
All rights reserved