



Compressor
Voltage Code : FZ

FH5522E

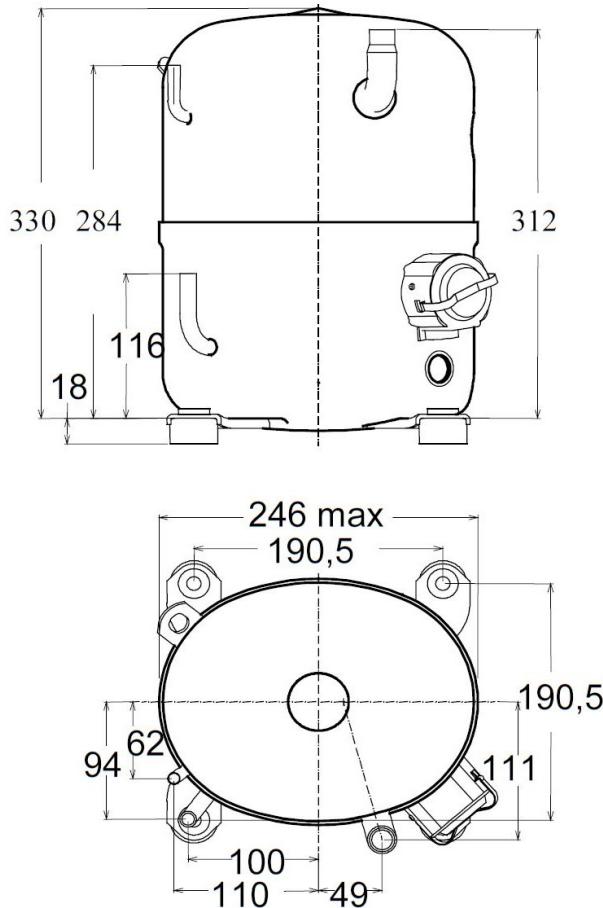
Air Conditioning & Heating (CA)

220 - 240V 1~ 50 Hz

R22

AHC5522EFZ

Conditions	Frequency	Nominal Cooling Capacity		Sound Power ISO3745 / ISO 3743-1
		Watts	BTU/h	
EN12900 / R22	50 Hz	4789	16330	67 dBA



* EN12900 : T°Cond. 50.0°C / T°Evap. 5.0°C / T°Superheat. 10.0°C
T°Subcooling. 0.0K

Certificates :



Displacement (cc)	39,95
Net Weight (Kg)	31.5
Oil Quantity (cc)	1330.0
Oil Type	Mineral
Expansion Device	Capillary_Tube
Cooling	Fan
Main Winding (Ohm)	1.57
Start Winding (Ohm)	4.92
Current	
RLA (A)	9
MCC (A)	14.5
LRA (A)	38.5
Electrical Equipment	PTCSCR,CSR,PSC
Overload	Interne
Start Capacitor	88 µF / 330 V
Run Capacitor	35 µF / 370 V
Potential Relay	3ARR3*6AV*
Pick Up	223/252V
Drop Out	60/121V
Optional	RVA4L**
PTC	CTP305C2
Resistance	50 Ohms
Refrigerating connection for	
Suction Tube	15.9 (5/8")
Discharge Tube	9.5 (3/8")
Process Tube	6.35 (1/4")

Note : Tecumseh reserves the right to change information contained in this document without notification.



Tecumseh

FH5522E	Tension FZ : 220 - 240V 1~ 50 Hz
----------------	---

Les performances sont données dans les conditions EN12900 :	Surchauffe :	10.0 K
Condition Dew	Sous refroidissement :	0.0 K
The performance data are in EN12900 conditions :	Superheat :	10.0 K
Dew Condition	Subcooling :	0.0 K

50 Hz R22

N°335QG-F

4 T condensation	5 T évaporation	(°C)	-25	-20	-15	-10	-5	0	5	10	15
40	1 P frigorifique	(Watt)				2814	3619	4579	5695	6967	8395
	2 P absorbée	(W)				1396	1498	1601	1705	1811	1917
	3 I absorbée	(A)				6.60	7.11	7.59	8.05	8.49	8.91
50	1 P frigorifique	(Watt)					2976	3814	4789	5900	7148
	2 P absorbée	(W)					1581	1729	1875	2019	2162
	3 I absorbée	(A)					7.35	8.04	8.70	9.34	9.95
60	1 P frigorifique	(Watt)						3074	3914	4872	5948
	2 P absorbée	(W)						1859	2047	2229	2406
	3 I absorbée	(A)						8.48	9.34	10.2	11.0

© 2023 Tecumseh Products Company
All rights reserved

1 = cooling capacity 2 = power input 3 = current 4 = condensing temperature 5 = evaporating temperature

Nota : Tecumseh se réserve le droit de modifier les informations contenues dans ce document sans préavis.

Note : Tecumseh reserves the right to change information contained in this document without notification.