



Compressor
Voltage Code : FZ

FH5524E

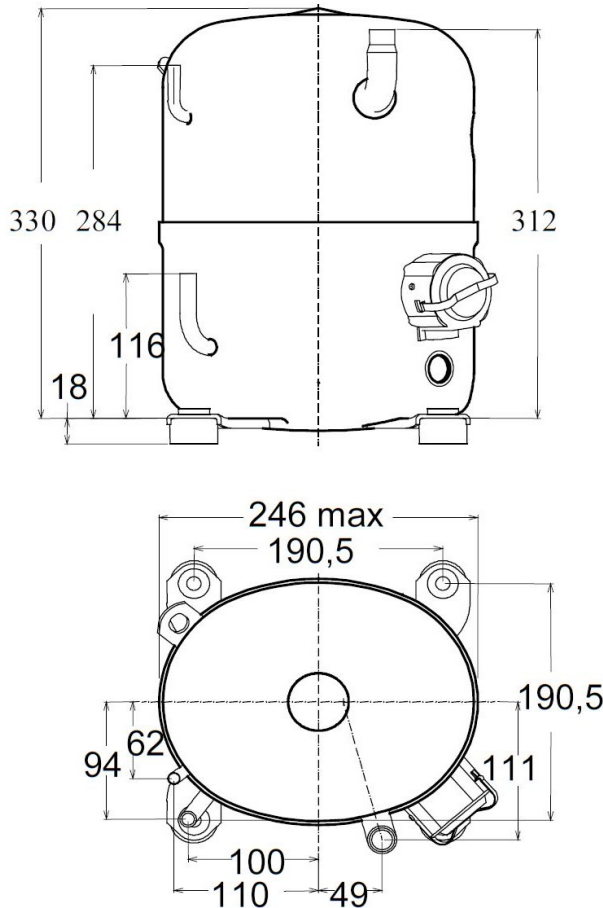
Air Conditioning & Heating (CA)

220 - 240V 1~ 50 Hz

R22

AHC5524EFZ

Conditions	Frequency	Nominal Cooling Capacity		Sound Power ISO3745 / ISO 3743-1
		Watts	BTU/h	
EN12900 / R22	50 Hz	5244	17883	68 dBA



Displacement (cc)	43,5
Net Weight (Kg)	31.5
Oil Quantity (cc)	1330.0
Oil Type	Mineral
Expansion Device	Capillary_Tube
Cooling	Fan
Main Winding (Ohm)	1.25
Start Winding (Ohm)	4.2
Current	
RLA (A)	10
MCC (A)	16.1
LRA (A)	50.8
Electrical Equipment	PTCSCR,CSR,PSC
Overload	Interne
Start Capacitor	88 µF / 330 V
Run Capacitor	35 µF / 400 V
Potential Relay	RVA4I**
Pick Up	204/233V
Drop Out	50/110V
Optional	3ARR3*6AU*
PTC	CTP305C2
Resistance	50 Ohms
Refrigerating connection for	
Suction Tube	15.9 (5/8")
Discharge Tube	9.5 (3/8")
Process Tube	6.35 (1/4")

* EN12900 : T°Cond. 50.0°C / T°Evap. 5.0°C / T°Superheat. 10.0°C
T°Subcooling. 0.0K

Certificates :



Note : Tecumseh reserves the right to change information contained in this document without notification.



Tecumseh

FH5524E	Tension FZ : 220 - 240V 1~ 50 Hz
----------------	---

Les performances sont données dans les conditions EN12900 :	Surchauffe :	10.0 K
Condition Dew	Sous refroidissement :	0.0 K
The performance data are in EN12900 conditions :	Superheat :	10.0 K
Dew Condition	Subcooling :	0.0 K

50 Hz R22

N°335SG-F

4 T condensation	5 T évaporation	(°C)	-25	-20	-15	-10	-5	0	5	10	15
40	1 P frigorifique	(Watt)				3109	3988	5030	6237	7607	9142
	2 P absorbée	(W)				1538	1650	1772	1902	2042	2191
	3 I absorbée	(A)				7.14	7.79	8.39	8.94	9.45	9.90
50	1 P frigorifique	(Watt)					3280	4190	5244	6443	7785
	2 P absorbée	(W)					1741	1913	2091	2277	2469
	3 I absorbée	(A)					8.05	8.88	9.66	10.4	11.1
60	1 P frigorifique	(Watt)						3378	4287	5321	6478
	2 P absorbée	(W)						2057	2282	2512	2745
	3 I absorbée	(A)						9.37	10.4	11.3	12.2

© 2023 Tecumseh Products Company
All rights reserved

1 = cooling capacity 2 = power input 3 = current 4 = condensing temperature 5 = evaporating temperature

Nota : Tecumseh se réserve le droit de modifier les informations contenues dans ce document sans préavis.

Note : Tecumseh reserves the right to change information contained in this document without notification.