



Compressor
Voltage Code : FZ

FH5540E

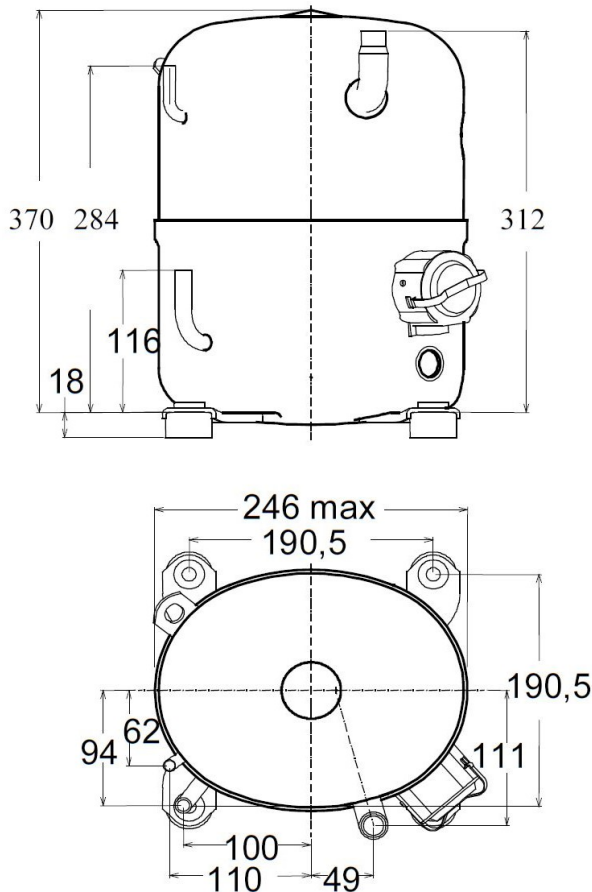
Air Conditioning & Heating (CA)

220 - 240V 1~ 50 Hz

R22

AHC5540EFZ

Conditions	Frequency	Nominal Cooling Capacity		Sound Power ISO3745 / ISO 3743-1
		Watts	BTU/h	
EN12900 / R22	50 Hz	9127	31123	77 dBA



Displacement (cc)	74,25
Net Weight (Kg)	33.0
Oil Quantity (cc)	1330.0
Oil Type	Mineral
Expansion Device	Capillary_Tube
Cooling	Fan
Main Winding (Ohm)	0.6
Start Winding (Ohm)	3.0
Current	
RLA (A)	18.6
MCC (A)	30.5
LRA (A)	94
Electrical Equipment	PTCSCR,CSR,PSC
Overload	Interne
Start Capacitor	100 µF / 330 V
Run Capacitor	40 µF / 400 V
Potential Relay	3ARR3*6AS*
Pick Up	180/195V
Drop Out	60/121V
Optional	RVA4G**
PTC	CTP305C2
Resistance	50 Ohms
Refrigerating connection for	
Suction Tube	19 (3/4")
Discharge Tube	9.5 (3/8")
Process Tube	6.35 (1/4")

* EN12900 : T°Cond. 50.0°C / T°Evap. 5.0°C / T°Superheat. 10.0°C
T°Subcooling. 0.0K

Certificates :



Note : Tecumseh reserves the right to change information contained in this document without notification.



Tecumseh

FH5540E	Tension FZ : 220 - 240V 1~ 50 Hz
----------------	---

Les performances sont données dans les conditions EN12900 :	Surchauffe :	10.0 K
Condition Dew	Sous refroidissement :	0.0 K
The performance data are in EN12900 conditions :	Superheat :	10.0 K
Dew Condition	Subcooling :	0.0 K

50 Hz R22

N°335YG-F

4 T condensation	5 T évaporation	(°C)	-25	-20	-15	-10	-5	0	5	10	15
40	1 P frigorifique	(Watt)				5468	7124	8920	10856	12934	15153
	2 P absorbée	(W)				2619	2849	3087	3334	3589	3853
	3 I absorbée	(A)				13.6	14.5	15.5	16.5	17.5	18.5
50	1 P frigorifique	(Watt)					5857	7427	9127	10957	12916
	2 P absorbée	(W)					3006	3333	3666	4004	4347
	3 I absorbée	(A)					15.0	16.4	17.8	19.2	20.7
60	1 P frigorifique	(Watt)						5983	7459	9053	10766
	2 P absorbée	(W)						3584	4000	4418	4838
	3 I absorbée	(A)						17.3	19.1	20.9	22.8

© 2023 Tecumseh Products Company
All rights reserved

1 = cooling capacity 2 = power input 3 = current 4 = condensing temperature 5 = evaporating temperature

Nota : Tecumseh se réserve le droit de modifier les informations contenues dans ce document sans préavis.

Note : Tecumseh reserves the right to change information contained in this document without notification.