



Compressor  
Voltage Code : FZ

RK5450Y

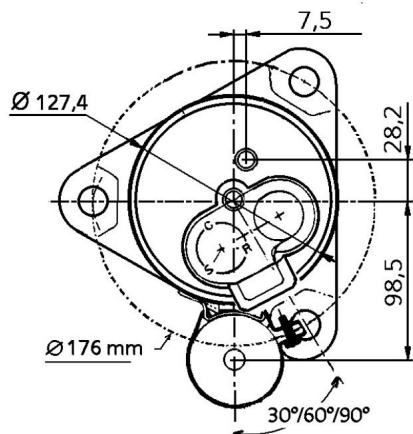
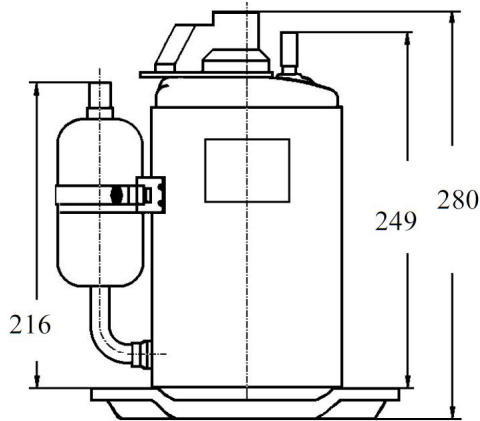
Air Conditioning & Heating (CA)

220 - 240V 1~ 50 Hz

R134a

RKA5450YFZ

Conditions	Frequency	Nominal Cooling Capacity		Sound Power ISO3745 / ISO 3743-1
		Watts	BTU/h	
EN12900 / R134a	50 Hz	1150	3922	62 dBA



\* EN12900 : T°Cond. 50.0°C / T°Evap. 5.0°C / T°Superheat. 10.0°C  
T°Subcooling. 0.0K

Certificates :



<b>Displacement (cc)</b>	11,4
<b>Net Weight (Kg)</b>	11,7
<b>Oil Quantity (cc)</b>	414,0
<b>Oil Type</b>	Polyvinylether
<b>Expansion Device</b>	Capillary_Tube
<b>Cooling</b>	Fan
<b>Main Winding (Ohm)</b>	7,3
<b>Start Winding (Ohm)</b>	11,4
<b>Current</b>	
RLA (A)	1,8
MCC (A)	2,8
LRA (A)	10
<b>Electrical Equipment</b>	CSR,PSC
<b>Overload</b>	T0057
Time Check	7.5s - 14s / 8.5 A
Open Temp	105° C
Close Temp	60° C
Optional	/
<b>Start Capacitor</b>	21 µF / 330 V
<b>Run Capacitor</b>	15 µF / 400 V
<b>Potential Relay</b>	RVA2C**
Pick Up	140/153V
Drop Out	40/90V
Optional	3ARR3*3AL*
<b>Refrigerating connection for</b>	
Suction Tube	12.7 (1/2")
Discharge Tube	7.9 (5/16")

Note : Tecumseh reserves the right to change information contained in this document without notification.



**Tecumseh**

<b>RK5450Y</b>	<b>Tension FZ : 220 - 240V 1~ 50 Hz</b>
----------------	---

Les performances sont données dans les <b>conditions EN12900</b> :	Surchauffe :	10.0 K
Condition Dew	Sous refroidissement :	0.0 K
The performance data are in <b>EN12900 conditions</b> :	Superheat :	10.0 K
Dew Condition	Subcooling :	0.0 K

**50 Hz R134a**

**N°313CH-F**

4   T condensation	5   T évaporation	(°C)	-25	-20	-15	-10	-5	0	5	10	15
<b>40</b>	1   P frigorifique	(Watt)				765	920	1117	1358	1643	1970
	2   P absorbée	(W)				344	349	354	359	364	368
	3   I absorbée	(A)				1.56	1.60	1.63	1.67	1.70	1.72
<b>50</b>	1   P frigorifique	(Watt)					759	936	1150	1401	1689
	2   P absorbée	(W)					366	379	392	405	419
	3   I absorbée	(A)					1.64	1.70	1.76	1.82	1.89
<b>60</b>	1   P frigorifique	(Watt)						733	915	1129	1373
	2   P absorbée	(W)						402	424	446	469
	3   I absorbée	(A)						1.76	1.85	1.95	2.05

© 2023 Tecumseh Products Company  
All rights reserved

1 = cooling capacity 2 = power input 3 = current 4 = condensing temperature 5 = evaporating temperature

**Nota : Tecumseh se réserve le droit de modifier les informations contenues dans ce document sans préavis.**

**Note : Tecumseh reserves the right to change information contained in this document without notification.**