



Compressor
Voltage Code : FZ

RK5480Y

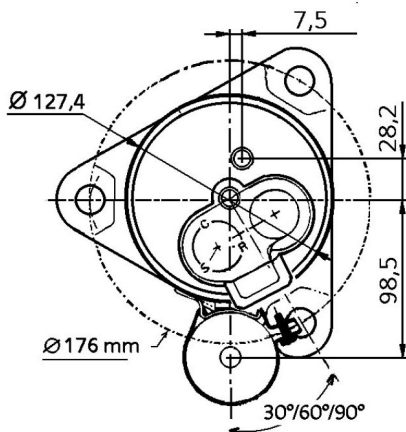
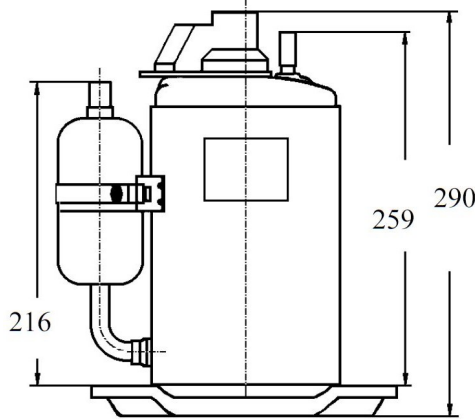
Air Conditioning & Heating (CA)

220 - 240V 1~ 50 Hz

R134a

RKA5480YFZ

Conditions	Frequency	Nominal Cooling Capacity		Sound Power ISO3745 / ISO 3743-1
		Watts	BTU/h	
EN12900 / R134a	50 Hz	1880	6410	65 dBA



* EN12900 : T°Cond. 50.0°C / T°Evap. 5.0°C / T°Superheat. 10.0°C
T°Subcooling. 0.0K

Certificates :



Displacement (cc)	18,1
Net Weight (Kg)	12.0
Oil Quantity (cc)	414.0
Oil Type	Polyvinylether
Expansion Device	Capillary_Tube
Cooling	Fan
Main Winding (Ohm)	4.16
Start Winding (Ohm)	3.3
Current	
RLA (A)	2.9
MCC (A)	5.7
LRA (A)	13
Electrical Equipment	CSR,PSC
Overload	MSP28APW
Time Check	2.8s - 5.2s / 19.5 A
Open Temp	135° C
Close Temp	61° C
Optional	T0617
Start Capacitor	21 µF / 330 V
Run Capacitor	25 µF / 400 V
Potential Relay	RVA2C**
Pick Up	140/153V
Drop Out	40/90V
Optional	3ARR3*3AL*
Refrigerating connection for	
Suction Tube	12.7 (1/2")
Discharge Tube	7.9 (5/16")

Note : Tecumseh reserves the right to change information contained in this document without notification.



Tecumseh

RK5480Y	Tension FZ : 220 - 240V 1~ 50 Hz
----------------	-----------------------------------------

Les performances sont données dans les conditions EN12900 :	Surchauffe :	10.0 K
Condition Dew	Sous refroidissement :	0.0 K
The performance data are in EN12900 conditions :	Superheat :	10.0 K
Dew Condition	Subcooling :	0.0 K

50 Hz R134a

N°313MH-F

4 T condensation	5 T évaporation	(°C)	-25	-20	-15	-10	-5	0	5	10	15
40	1 P frigorifique	(Watt)				1243	1504	1830	2219	2673	3192
	2 P absorbée	(W)				535	552	566	577	586	592
	3 I absorbée	(A)				2.39	2.51	2.60	2.67	2.73	2.76
50	1 P frigorifique	(Watt)					1242	1533	1880	2281	2739
	2 P absorbée	(W)					577	604	629	653	675
	3 I absorbée	(A)					2.57	2.70	2.82	2.93	3.02
60	1 P frigorifique	(Watt)						1201	1497	1839	2226
	2 P absorbée	(W)						642	680	719	757
	3 I absorbée	(A)						2.81	2.97	3.13	3.29

© 2023 Tecumseh Products Company
All rights reserved

1 = cooling capacity 2 = power input 3 = current 4 = condensing temperature 5 = evaporating temperature

Nota : Tecumseh se réserve le droit de modifier les informations contenues dans ce document sans préavis.

Note : Tecumseh reserves the right to change information contained in this document without notification.