



Compressor  
Voltage Code : FZ

# RK5515E

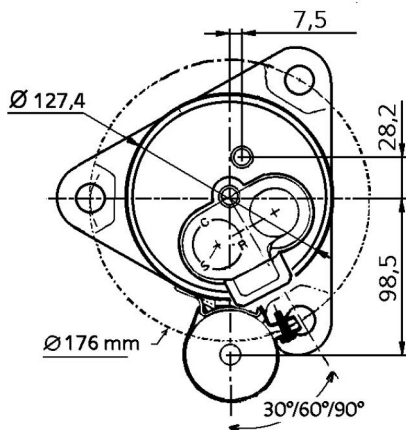
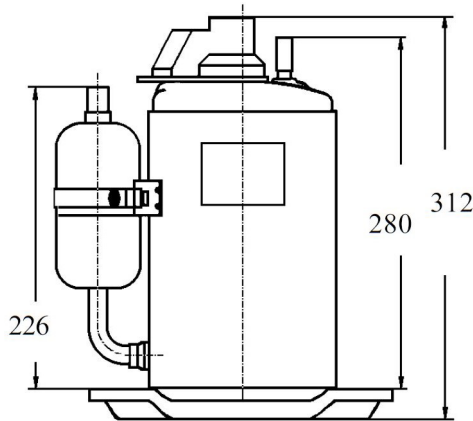
Air Conditioning & Heating (CA)

220 - 240V 1~ 50 Hz

## R22

## RKA5515EFZ

Conditions	Frequency	Nominal Cooling Capacity		Sound Power ISO3745 / ISO 3743-1
		Watts	BTU/h	
EN12900 / R22	50 Hz	3277	11174	67 dBA



\* EN12900 : T°Cond. 50.0°C / T°Evap. 5.0°C / T°Superheat. 10.0°C  
T°Subcooling. 0.0K

Certificates :



<b>Displacement (cc)</b>	21,4
<b>Net Weight (Kg)</b>	14.1
<b>Oil Quantity (cc)</b>	452.0
<b>Oil Type</b>	Synthetic_Alkylate
<b>Expansion Device</b>	Capillary_Tube
<b>Cooling</b>	Fan
<b>Main Winding (Ohm)</b>	2.3
<b>Start Winding (Ohm)</b>	4.7
<b>Current</b>	
RLA (A)	5.3
MCC (A)	8.5
LRA (A)	22
<b>Electrical Equipment</b>	PTCSCR,CSR,PSC
<b>Overload</b>	MST16AHZ
Time Check	2.8s - 5.2s / 31 A
Open Temp	120° C
Close Temp	61° C
Optional	T0294
<b>Start Capacitor</b>	21 µF / 330 V
<b>Run Capacitor</b>	25 µF / 400 V
<b>Potential Relay</b>	RVA2C**
Pick Up	140/153V
Drop Out	40/90V
Optional	3ARR3*3AL*
<b>PTC</b>	CTP305C2
Resistance	50 Ohms
<b>Refrigerating connection for</b>	
Suction Tube	15.9 (5/8")
Discharge Tube	7.9 (5/16")

Note : Tecumseh reserves the right to change information contained in this document without notification.



**Tecumseh**

<b>RK5515E</b>	<b>Tension FZ : 220 - 240V 1~ 50 Hz</b>
----------------	-----------------------------------------

Les performances sont données dans les <b>conditions EN12900</b> :	Surchauffe :	10.0 K
Condition Dew	Sous refroidissement :	0.0 K
The performance data are in <b>EN12900 conditions</b> :	Superheat :	10.0 K
Dew Condition	Subcooling :	0.0 K

**50 Hz R22**

**N°333QG-F**

4   T condensation	5   T évaporation	(°C)	-25	-20	-15	-10	-5	0	5	10	15
<b>40</b>	1   P frigorifique	(Watt)				2117	2570	3104	3720	4417	5195
	2   P absorbée	(W)				792	811	826	835	839	838
	3   I absorbée	(A)				3.69	3.82	3.91	3.99	4.04	4.06
<b>50</b>	1   P frigorifique	(Watt)					2245	2725	3277	3902	4599
	2   P absorbée	(W)					981	1010	1033	1050	1062
	3   I absorbée	(A)					4.50	4.63	4.74	4.82	4.87
<b>60</b>	1   P frigorifique	(Watt)						2346	2834	3387	4004
	2   P absorbée	(W)						1193	1229	1259	1283
	3   I absorbée	(A)						5.34	5.49	5.59	5.67

© 2023 Tecumseh Products Company  
All rights reserved

1 = cooling capacity 2 = power input 3 = current 4 = condensing temperature 5 = evaporating temperature

**Nota : Tecumseh se réserve le droit de modifier les informations contenues dans ce document sans préavis.**

**Note : Tecumseh reserves the right to change information contained in this document without notification.**