



Compressor  
Voltage Code : TZ

TAJ4511Y-TZ

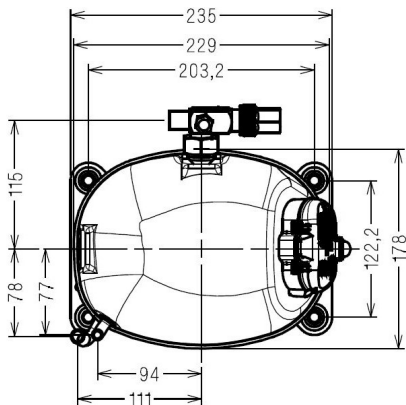
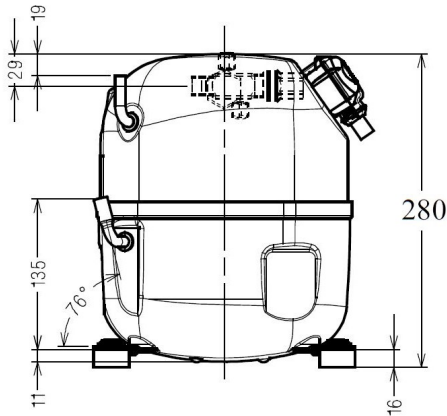
High Temp. Commercial (HP)

400V 3~ 50Hz / 440V 3~ 60 Hz

R134a

AJ4511Y-TZ1A

Conditions	Frequency	Nominal Cooling Capacity		Sound Power ISO3745 / ISO 3743-1
		Watts	BTU/h	
EN12900_HP / R134a	50 Hz / 60 Hz	2699 / 3110	9204 / 10605	59 dBA



<b>Displacement (cc)</b>	32,7
<b>Net Weight (Kg)</b>	19.0
<b>Oil Quantity (cc)</b>	475.0
<b>Oil Type</b>	Polyolester
<b>Expansion Device</b>	Capillary_Tube/Expansion_Valve
<b>Cooling</b>	Fan
<b>Main Winding (Ohm)</b>	14.8
<b>Current</b>	
RLA (A)	2.4   2.5
MCC (A)	3.6   3.9
LRA (A)	16.7   17.3
<b>Electrical Equipment</b>	TRI
<b>Overload</b>	Interne
<b>Refrigerating connection for</b>	
Suction Tube	15.9 (5/8")
Discharge Tube	7.9 (5/16")
Process Tube	6.35 (1/4")

\* EN12900\_HP : T°Cond. 50.0°C / T°Evap. 5.0°C / T°Return gas temp.. 20.0°C  
T°Subcooling. 0.0K

Certificates :



Note : Tecumseh reserves the right to change information contained in this document without notification.



**Tecumseh**

<b>TAJ4511Y-TZ</b>	<b>Tension TZ : 400V 3~ 50Hz / 440V 3~ 60 Hz</b>
--------------------	--

Les performances sont données dans les **conditions EN12900\_HP** :  
 Condition Dew  
 The performance data are in **EN12900\_HP conditions** :  
 Dew Condition

Gaz aspirés : 20.0 °C  
 Sous refroidissement : 0.0 K  
 Return gas : 20.0 °C  
 Subcooling : 0.0 K

<b>50 Hz R134a</b>											
<b>N°214QU-TZ</b>											
4   T condensation	5   T évaporation	(°C)	-25	-20	-15	-10	-5	0	5	10	15
<b>30</b>	1   P frigorifique	(Watt)	779	1090	1454	1882	2381	2963	3635	4408	5290
	2   P absorbée	(W)	478	548	615	680	743	808	874	945	1020
	3   I absorbée	(A)	1.33	1.40	1.47	1.55	1.62	1.70	1.78	1.86	1.94
<b>40</b>	1   P frigorifique	(Watt)	600	892	1227	1614	2063	2584	3184	3875	4664
	2   P absorbée	(W)	480	571	657	739	819	899	979	1062	1149
	3   I absorbée	(A)	1.29	1.39	1.50	1.60	1.71	1.82	1.93	2.04	2.15
<b>50</b>	1   P frigorifique	(Watt)		693	992	1332	1724	2177	2699	3301	3991
	2   P absorbée	(W)		572	681	785	887	986	1085	1185	1288
	3   I absorbée	(A)		1.38	1.51	1.65	1.79	1.93	2.07	2.21	2.36
<b>60</b>	1   P frigorifique	(Watt)			770	1057	1385	1763	2201	2707	3292
	2   P absorbée	(W)			682	814	941	1064	1187	1309	1432
	3   I absorbée	(A)			1.52	1.69	1.86	2.03	2.20	2.38	2.55

<b>60 Hz R134a</b>											
<b>N°214QU-TZ</b>											
4   T condensation	5   T évaporation	(°C)	-25	-20	-15	-10	-5	0	5	10	15
<b>30</b>	1   P frigorifique	(Watt)	857	1240	1676	2175	2746	3397	4138	4979	5927
	2   P absorbée	(W)	536	649	746	835	921	1011	1111	1228	1368
	3   I absorbée	(A)	1.24	1.34	1.44	1.54	1.65	1.77	1.89	2.01	2.14
<b>40</b>	1   P frigorifique	(Watt)	606	988	1406	1870	2389	2972	3628	4367	5196
	2   P absorbée	(W)	490	648	783	902	1011	1116	1224	1341	1474
	3   I absorbée	(A)	1.21	1.34	1.47	1.61	1.75	1.90	2.05	2.21	2.37
<b>50</b>	1   P frigorifique	(Watt)		697	1104	1539	2013	2533	3110	3753	4470
	2   P absorbée	(W)		593	778	940	1084	1217	1346	1477	1616
	3   I absorbée	(A)		1.31	1.48	1.65	1.82	2.00	2.19	2.38	2.57
<b>60</b>	1   P frigorifique	(Watt)			766	1179	1613	2078	2582	3135	3745
	2   P absorbée	(W)			719	936	1128	1302	1465	1621	1779
	3   I absorbée	(A)			1.46	1.66	1.87	2.08	2.30	2.52	2.75

1 = cooling capacity 2 = power input 3 = current 4 = condensing temperature 5 = evaporating temperature

**Nota : Tecumseh se réserve le droit de modifier les informations contenues dans ce document sans préavis.**

**Note : Tecumseh reserves the right to change information contained in this document without notification.**

© 2023 Tecumseh Products Company  
All rights reserved