



Compressor
Voltage Code : FZ

THB4410YFZ

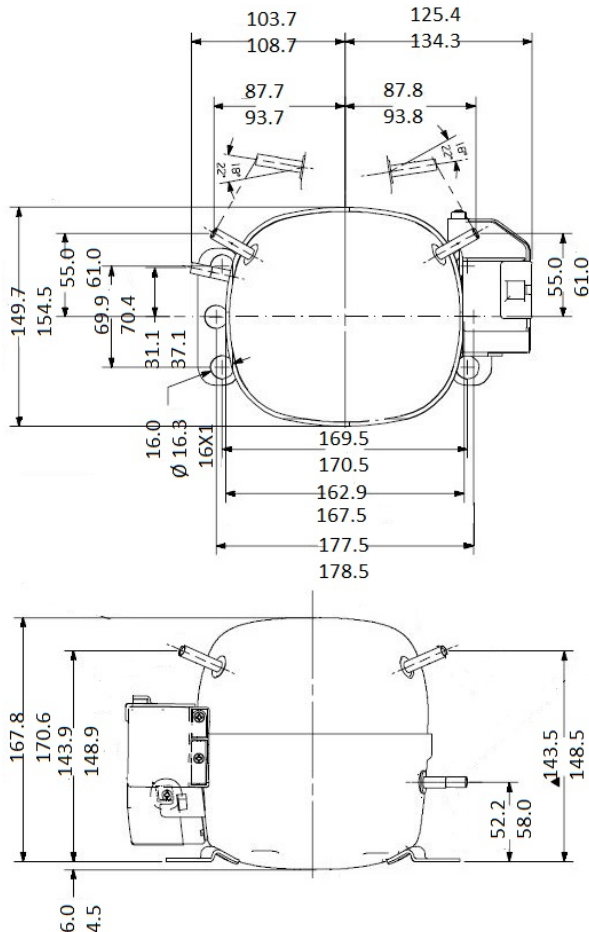
High Temp. Commercial (HP)

220 - 240V 1~ 50 Hz

R134a / R513A

THB4410YFZ

Conditions	Frequency	Nominal Cooling Capacity		Sound Power ISO3745 / ISO 3743-1
		Watts	BTU/h	
EN12900_HP / R134a	50 Hz	226	772	41 dBA
EN12900_HP / R513A	50 Hz	230	786	41 dBA



* EN12900_HP : T°Cond. 50.0°C / T°Evap. 5.0°C / T°Return gas temp.. 20.0°C
T°Subcooling. 0.0K

Certificates :



Displacement (cc)	2,73
Net Weight (Kg)	7.4
Oil Quantity (cc)	250.0
Oil Type	Polyolester
Expansion Device	Capillary_Tube/Expansion_Valve
Cooling	Static
Main Winding (Ohm)	29.5
Start Winding (Ohm)	32.4
Current	
RLA (A)	0.8
MCC (A)	0.9
LRA (A)	5
Electrical Equipment	CSIR
Overload	T7927
Time Check	6.5s - 16s / 3.5 A
Open Temp	120° C
Close Temp	61° C
Start Capacitor	47-56 µF / 250 V
Current Relay	9660C-***-095
Pick Up	1.98A
Drop Out	1.69A
Optional	RP20**
Refrigerating connection for	
Suction Tube	6.35 (1/4")
Discharge Tube	6.35 (1/4")
Process Tube	4.76 (3/16")

Note : Tecumseh reserves the right to change information contained in this document without notification.



Tecumseh

THB4410YFZ	Tension FZ : 220 - 240V 1~ 50 Hz
-------------------	---

Les performances sont données dans les **conditions EN12900_HP** :
 Condition Dew
 The performance data are in **EN12900_HP conditions** :
 Dew Condition

Gaz aspirés : 20.0 °C
 Sous refroidissement : 0.0 K
 Return gas : 20.0 °C
 Subcooling : 0.0 K

50 Hz R134a											
N°211CE-FZ											
4 T condensation	5 T évaporation	(°C)	-25	-20	-15	-10	-5	0	5	10	15
30	1 P frigorifique	(Watt)	69.1	92.4	121	156	198	248	306	375	454
	2 P absorbée	(W)	61.9	67.0	72.0	76.6	80.5	83.5	85.3	85.7	84.3
	3 I absorbée	(A)	0.57	0.60	0.62	0.64	0.64	0.65	0.65	0.64	0.62
40	1 P frigorifique	(Watt)	57.0	78.1	104	134	171	215	267	327	398
	2 P absorbée	(W)	63.2	69.1	75.3	81.5	87.5	92.9	97.6	101	104
	3 I absorbée	(A)	0.59	0.62	0.64	0.66	0.67	0.68	0.68	0.67	0.66
50	1 P frigorifique	(Watt)		63.8	86.0	112	144	182	226	279	340
	2 P absorbée	(W)		71.3	78.4	85.9	93.5	101	108	115	121
	3 I absorbée	(A)		0.65	0.67	0.69	0.71	0.71	0.71	0.71	0.70
60	1 P frigorifique	(Watt)			69.1	91.3	118	149	187	231	283
	2 P absorbée	(W)			82.3	90.7	99.8	109	119	128	137
	3 I absorbée	(A)			0.71	0.73	0.74	0.75	0.75	0.75	0.74

50 Hz R513A											
N°3186											
4 T condensation	5 T évaporation	(°C)	-25	-20	-15	-10	-5	0	5	10	15
30	1 P frigorifique	(Watt)	79.6	105	134	169	211	259	315	379	451
	2 P absorbée	(W)	68.8	73.5	77.9	82.1	85.8	89.1	91.8	93.9	95.2
	3 I absorbée	(A)	0.63	0.65	0.67	0.68	0.69	0.69	0.69	0.70	0.70
40	1 P frigorifique	(Watt)	64.2	86.4	113	144	181	224	274	332	398
	2 P absorbée	(W)	69.2	75.0	81.0	86.8	92.5	98.0	103	108	112
	3 I absorbée	(A)	0.65	0.67	0.69	0.71	0.71	0.72	0.72	0.71	0.71
50	1 P frigorifique	(Watt)		69.4	91.7	118	150	187	230	281	339
	2 P absorbée	(W)		76.2	83.5	90.9	98.5	106	114	121	128
	3 I absorbée	(A)		0.69	0.72	0.73	0.74	0.75	0.75	0.74	0.74
60	1 P frigorifique	(Watt)			72.9	94.0	119	150	186	228	278
	2 P absorbée	(W)			86.4	95.3	105	114	124	134	143
	3 I absorbée	(A)			0.74	0.76	0.78	0.79	0.79	0.78	0.78

1 = cooling capacity 2 = power input 3 = current 4 = condensing temperature 5 = evaporating temperature

Nota : Tecumseh se réserve le droit de modifier les informations contenues dans ce document sans préavis.
Note : Tecumseh reserves the right to change information contained in this document without notification.

© 2023 Tecumseh Products Company
All rights reserved