



Compressor
Voltage Code : FZ

THB4413YFZ

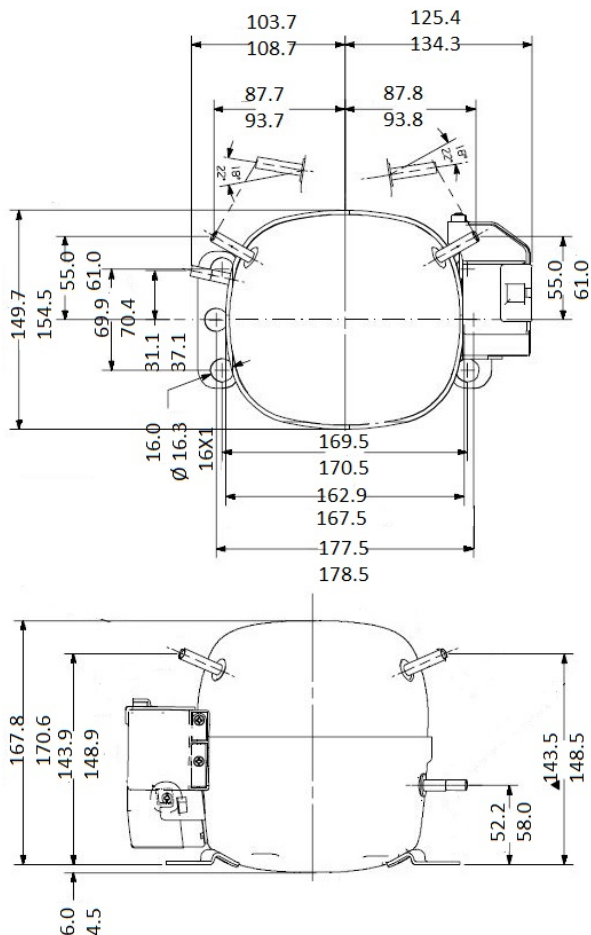
High Temp. Commercial (HP)

220 - 240V 1~ 50 Hz

R134a / R513A

THB4413YFZ

Conditions	Frequency	Nominal Cooling Capacity		Sound Power ISO3745 / ISO 3743-1
		Watts	BTU/h	
EN12900_HP / R134a	50 Hz	269	916	43 dBA
EN12900_HP / R513A	50 Hz	273	933	43 dBA



* EN12900_HP : T°Cond. 50.0°C / T°Evap. 5.0°C / T°Return gas temp.. 20.0°C
T°Subcooling. 0.0K

Certificates :



Displacement (cc)	3,4
Net Weight (Kg)	6.7
Oil Quantity (cc)	250.0
Oil Type	Polyolester
Expansion Device	Capillary_Tube/Expansion_Valve
Cooling	Static
Main Winding (Ohm)	17.7
Start Winding (Ohm)	28.1
Current	
RLA (A)	1
MCC (A)	1.6
LRA (A)	7
Electrical Equipment	CSIR
Overload	T26809
Time Check	6.5s - 16s / 5.5 A
Open Temp	95° C
Close Temp	52° C
Start Capacitor	64-77 µF / 250 V
Current Relay	9660C-***-110
Pick Up	2.89A
Drop Out	2.46A
Optional	RP28**
Refrigerating connection for	
Suction Tube	6.35 (1/4")
Discharge Tube	6.35 (1/4")
Process Tube	4.76 (3/16")

Note : Tecumseh reserves the right to change information contained in this document without notification.



Tecumseh

THB4413YFZ	Tension FZ : 220 - 240V 1~ 50 Hz
-------------------	---

Les performances sont données dans les **conditions EN12900_HP** :
 Condition Dew
 The performance data are in **EN12900_HP conditions** :
 Dew Condition

Gaz aspirés : 20.0 °C
 Sous refroidissement : 0.0 K
 Return gas : 20.0 °C
 Subcooling : 0.0 K

50 Hz R134a											
N°211EE-FZ											
4 T condensation	5 T évaporation	(°C)	-25	-20	-15	-10	-5	0	5	10	15
30	1 P frigorifique	(Watt)	81.3	108	142	182	230	288	356	435	526
	2 P absorbée	(W)	80.1	86.7	93.2	99.6	105	111	115	118	120
	3 I absorbée	(A)	0.81	0.84	0.86	0.88	0.89	0.90	0.90	0.90	0.90
40	1 P frigorifique	(Watt)	66.3	92.3	123	160	204	256	316	387	469
	2 P absorbée	(W)	82.1	90.1	98.2	106	114	121	128	133	138
	3 I absorbée	(A)	0.83	0.86	0.89	0.91	0.92	0.93	0.93	0.93	0.92
50	1 P frigorifique	(Watt)		71.2	99.3	132	171	216	269	331	402
	2 P absorbée	(W)		91.6	102	112	122	132	141	149	157
	3 I absorbée	(A)		0.89	0.92	0.94	0.95	0.96	0.97	0.97	0.96
60	1 P frigorifique	(Watt)			76.5	105	137	176	220	273	333
	2 P absorbée	(W)			104	117	129	142	154	166	177
	3 I absorbée	(A)			0.95	0.97	0.99	1.00	1.01	1.01	1.01

50 Hz R513A											
N°3188											
4 T condensation	5 T évaporation	(°C)	-25	-20	-15	-10	-5	0	5	10	15
30	1 P frigorifique	(Watt)	93.5	122	157	198	245	301	366	439	523
	2 P absorbée	(W)	89.0	95.0	101	107	112	118	124	129	135
	3 I absorbée	(A)	0.90	0.92	0.93	0.94	0.95	0.96	0.97	0.99	1.01
40	1 P frigorifique	(Watt)	75.1	102	134	172	216	266	325	392	469
	2 P absorbée	(W)	89.9	97.9	106	113	121	128	135	142	150
	3 I absorbée	(A)	0.91	0.93	0.95	0.96	0.97	0.98	0.99	0.99	1.00
50	1 P frigorifique	(Watt)		77.9	106	139	177	222	273	333	400
	2 P absorbée	(W)		97.9	108	119	129	138	148	157	167
	3 I absorbée	(A)		0.95	0.98	0.99	1.00	1.01	1.01	1.02	1.02
60	1 P frigorifique	(Watt)			80.7	108	139	176	219	269	327
	2 P absorbée	(W)			109	122	136	149	161	174	186
	3 I absorbée	(A)			1.00	1.02	1.04	1.05	1.06	1.06	1.06

1 = cooling capacity 2 = power input 3 = current 4 = condensing temperature 5 = evaporating temperature

Nota : Tecumseh se réserve le droit de modifier les informations contenues dans ce document sans préavis.
Note : Tecumseh reserves the right to change information contained in this document without notification.

© 2023 Tecumseh Products Company
All rights reserved