



Compressor
Voltage Code : TZ

TRK5512Y

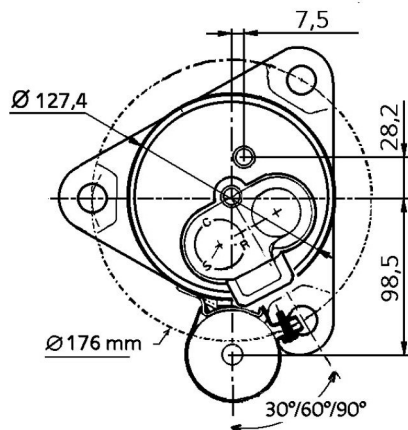
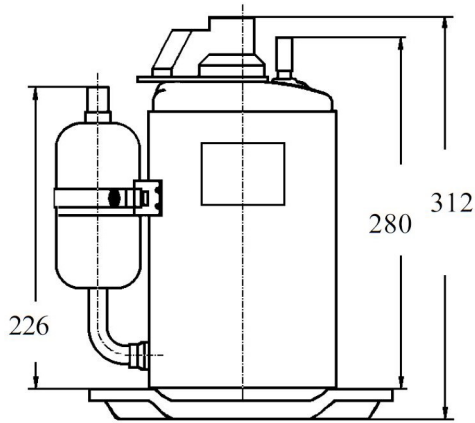
Air Conditioning & Heating (CA)

400V 3~ 50Hz / 440V 3~ 60 Hz

R134a

RKA5512YTZ

Conditions	Frequency	Nominal Cooling Capacity		Sound Power ISO3745 / ISO 3743-1
		Watts	BTU/h	
EN12900 / R134a	50 Hz / 60 Hz	2406 / 2838	8205 / 9678	67 dBA



Displacement (cc)	24,4
Net Weight (Kg)	11.2
Oil Quantity (cc)	444.0
Oil Type	Polyvinylether
Expansion Device	Capillary_Tube/Expansion_Valve
Cooling	Fan
Main Winding (Ohm)	19.9
Current	
RLA (A)	2.1 2
MCC (A)	2.7 2.9
LRA (A)	12 12
Electrical Equipment	TRI
Overload	Interne
Thermostat	MSP61AMJ
Open Temp	90° C
Close Temp	57° C
Refrigerating connection for	
Suction Tube	15.9 (5/8")
Discharge Tube	7.9 (5/16")

* EN12900 : T°Cond. 50.0°C / T°Evap. 5.0°C / T°Superheat. 10.0°C
T°Subcooling. 0.0K

Certificates :



Note : Tecumseh reserves the right to change information contained in this document without notification.



Tecumseh

TRK5512Y	Tension TZ : 400V 3~ 50Hz / 440V 3~ 60 Hz
-----------------	--

Les performances sont données dans les conditions EN12900 :	Surchauffe :	10.0 K
Condition Dew	Sous refroidissement :	0.0 K
The performance data are in EN12900 conditions :	Superheat :	10.0 K
Dew Condition	Subcooling :	0.0 K

50 Hz R134a											
											N°313SL-T
4 T condensation	5 T évaporation	(°C)	-25	-20	-15	-10	-5	0	5	10	15
40	1 P frigorifique	(Watt)				1685	2022	2441	2943	3529	4197
	2 P absorbée	(W)				776	802	821	833	838	836
	3 I absorbée	(A)				1.91	1.93	1.94	1.95	1.95	1.94
50	1 P frigorifique	(Watt)					1596	1967	2406	2915	3494
	2 P absorbée	(W)					840	877	908	933	953
	3 I absorbée	(A)					1.98	2.02	2.05	2.09	2.11
60	1 P frigorifique	(Watt)						1564	1934	2360	2842
	2 P absorbée	(W)						931	982	1027	1068
	3 I absorbée	(A)						2.09	2.16	2.23	2.30

60 Hz R134a											
											N°313SL-T
4 T condensation	5 T évaporation	(°C)	-25	-20	-15	-10	-5	0	5	10	15
40	1 P frigorifique	(Watt)				1971	2391	2891	3471	4131	4871
	2 P absorbée	(W)				885	921	945	957	958	948
	3 I absorbée	(A)				1.70	1.75	1.77	1.78	1.77	1.74
50	1 P frigorifique	(Watt)					1888	2329	2838	3414	4058
	2 P absorbée	(W)					964	1009	1043	1067	1081
	3 I absorbée	(A)					1.79	1.84	1.87	1.90	1.90
60	1 P frigorifique	(Watt)						1853	2283	2767	3305
	2 P absorbée	(W)						1071	1128	1175	1213
	3 I absorbée	(A)						1.91	1.97	2.03	2.07

1 = cooling capacity 2 = power input 3 = current 4 = condensing temperature 5 = evaporating temperature

Nota : Tecumseh se réserve le droit de modifier les informations contenues dans ce document sans préavis.
Note : Tecumseh reserves the right to change information contained in this document without notification.

© 2023 Tecumseh Products Company
All rights reserved