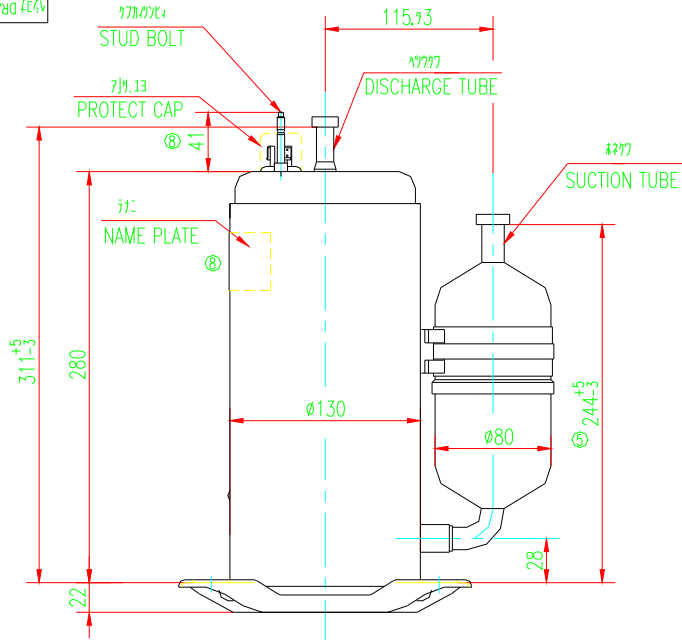
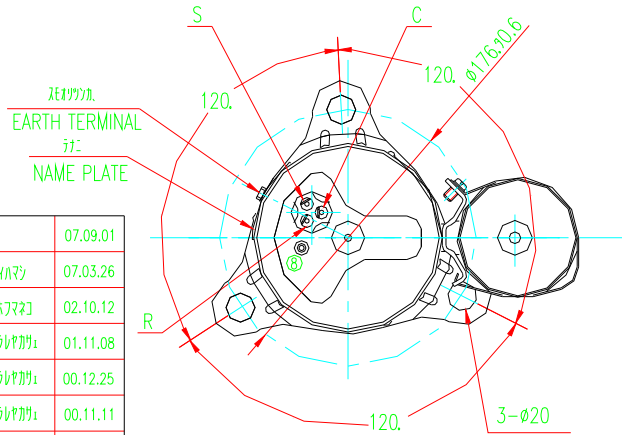
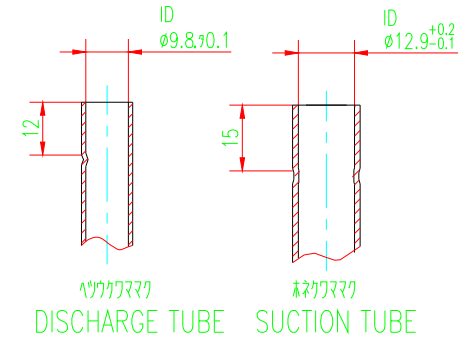
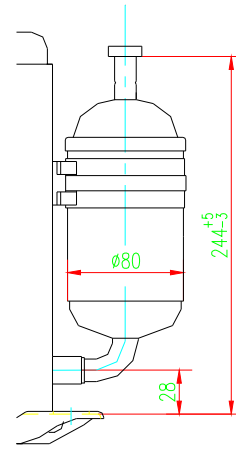


1K15902513  
DRAWING NO.



ACCUMULATOR



⑥	PH260X2C-4FT3	02. 10. 12
	PH260X2C-4FT1	00. 11. 11
	PH295X2C-4FT1	00. 06. 06
	PH280X2C-4FT1	00. 05. 23
	PH290X2C-4FT1	00. 05. 12
リ 33 ヲ		ト 07 21

⑥	3	71JD07458		07.09.01
⑦	1	71JD07157	イ 117	07.03.26
⑥		71JD00271	ホ 772	02.10.12
⑤		SB-01012	ホ 117	01.11.08
④	3	71JD00146	ホ 117	00.12.25
③	1	71JD00128	ホ 117	00.11.11
②	1	71JD00071	ホ 117	00.06.06
①	1	71JD00069	ホ 117	00.05.26
7 ヲ MARK	1 ヲ NUMJ	71J15902513 REVJ NOJ	ホ 53 MODIFIED BY	21 10 DATE

RoHS

DESIGNED BY	ホ 117	TECHNOLOGY	ABBRI	DRAWING NO.	1K15902513
DRAWN BY	7 ヲ 9	STANDARD	DRAW EXTER	TITLE	ACCUM
CHECKED BY		APPROVED BY	STAGE OF DRAWING	SCALE	DRAW EXTER
AGREED BY	21 10	DATE	1 9 9	1 9 9	ク 117 93・3 ヲ 7177 ヲ ミ 7 マ 71 ヲ 117 GUANGDONG MEIZHI COMPRESSOR LTD
		TOTAL PAGE	1 9 9	RAGE NOJ	