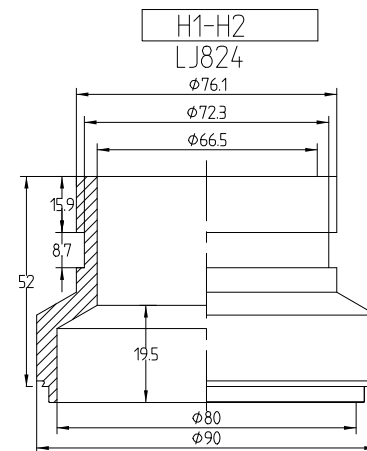
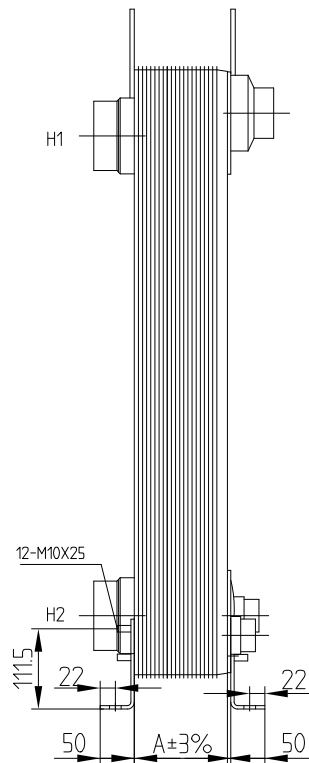
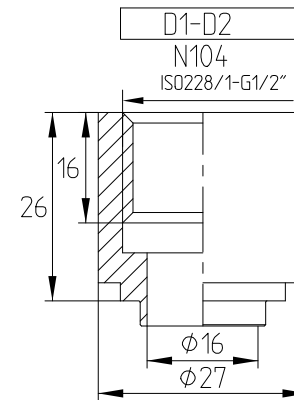
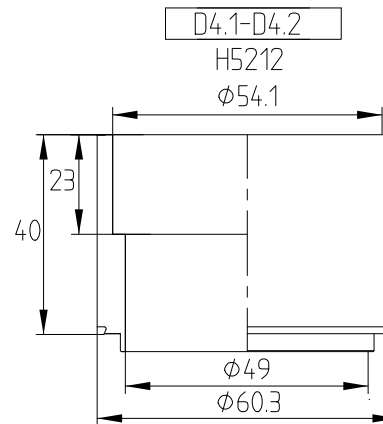
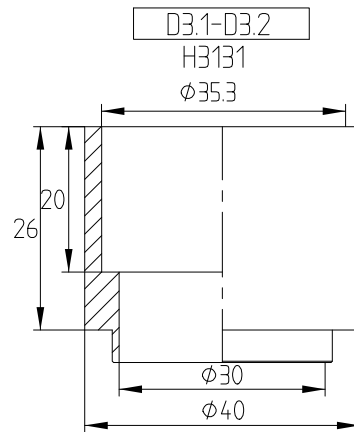
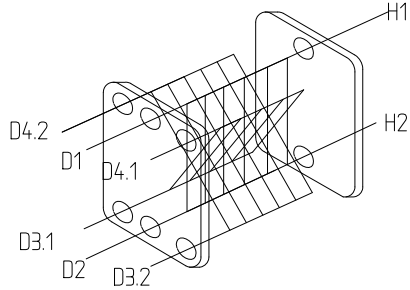
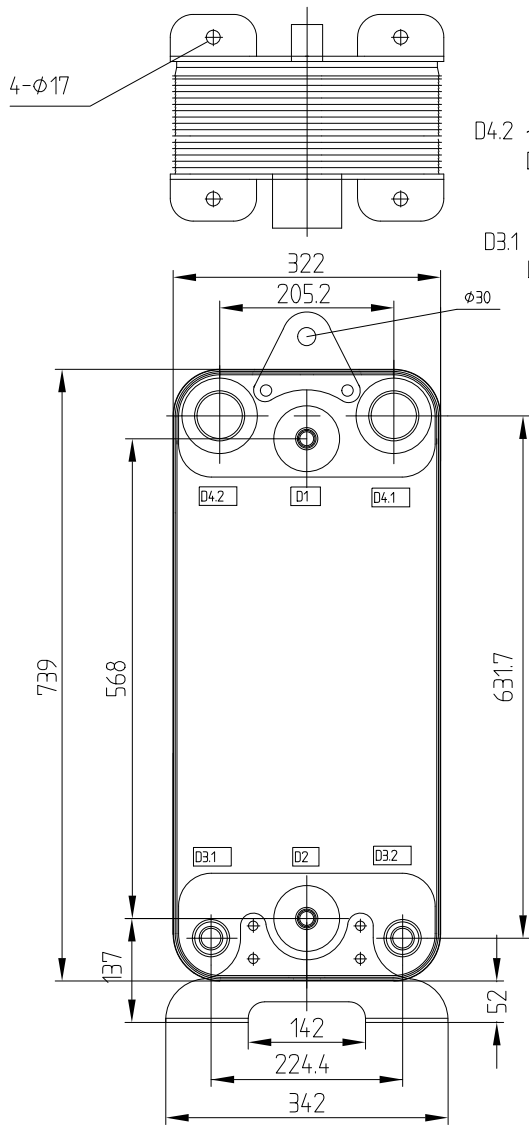


CONTROLLED



备注：加底脚吊耳

ID	Drawing No.	DESCRIPTION	A
1	2306858-01	HBL210D-82(N104-D1-D2,H3131-D3.1-D3.2,H5212-D4.1-D4.2,LJ824-H1-H2)	222
2	2306858-02	HBL210D-102(N104-D1-D2,H3131-D3.1-D3.2,H5212-D4.1-D4.2,LJ824-H1-H2)	274
3	2306858-03	HBL210D-122(N104-D1-D2,H3131-D3.1-D3.2,H5212-D4.1-D4.2,LJ824-H1-H2)	326

		DESIGN DATA	
DESIGN PRESSURE		4.5MPa	
TEST PRESSURE		6.75MPa	
DESIGN TEMPERATURE		-196/+225	
LEAKAGE TEST		He检	
PLATE MATERIAL		316L	
PIPE MATERIAL		304	
FRAME MATERIAL		304	
Assembly drawing	DEPARTMENT	Sales Department	DATE
	DESIGNER	JLN	2022/07/07
	INSPECTOR	ZJF	SCALE
	APPROVAL	FL	
		BAODE HEAT EXCHANGER	
		宝得换热	
		MODEL HBL210D	
DRAWING NO.		2306858	REV 0

修改号	修改日期	修改内容	修改人员