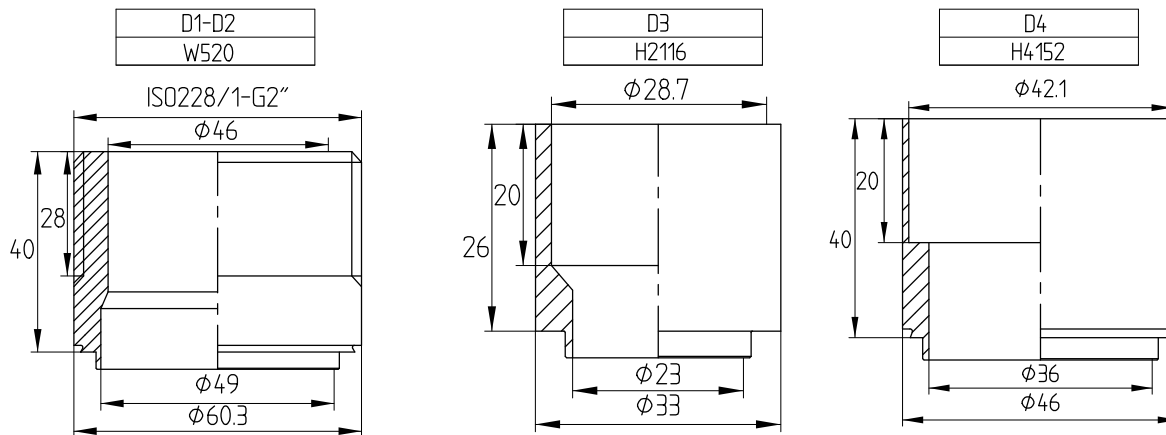

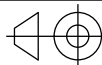


备注：加底脚



ID	Drawing No.	DESCRIPTION	A
1	2305334-01	HBL95A-50(W520-D1-D2,H2116-D3,H4152-D4)	126
2	2305334-02	HBL95A-60(W520-D1-D2,H2116-D3,H4152-D4)	149
3	2305334-03	HBL95A-70(W520-D1-D2,H2116-D3,H4152-D4)	172
4	2305334-04	HBL95A-90(W520-D1-D2,H2116-D3,H4152-D4)	218
5	2305334-05	HBL95A-110(W520-D1-D2,H2116-D3,H4152-D4)	264
6	2305334-06	HBL95A-130(W520-D1-D2,H2116-D3,H4152-D4)	311

		DESIGN DATA			
DESIGN PRESSURE		4.5MPa			
TEST PRESSURE		6.75MPa			
DESIGN TEMPERATURE		-196/+225			
LEAKAGE TEST		He检			
PLATE MATERIAL		316L			
PIPE MATERIAL		304			
FRAME MATERIAL		304			
Assembly drawing	DEPARTMENT	Sales Department	DATE	SCALE	 BAODE HEAT EXCHANGER 宝得换热
	DESIGNER	JLN	2022/04/27	 MODEL HBL95A	
	INSPECTOR	ZJF			
	APPROVAL	FL			
DRAWING NO.		2305334		REV	0

修改号	修改日期	修改内容	修改人员