

Axial fans FB

AC technology

Product overview

Quick selection	Page 260
Size 200	Page 264
Size 250	Page 268
Size 300	Page 272
Size 350	Page 274
Size 400	Page 290
Size 450	Page 308
Size 500	Page 334
Size 560	Page 360
Size 630	Page 376

Information

FE2owlet
ECblue

FE2owlet

FB

FC

System
components

Control
technology

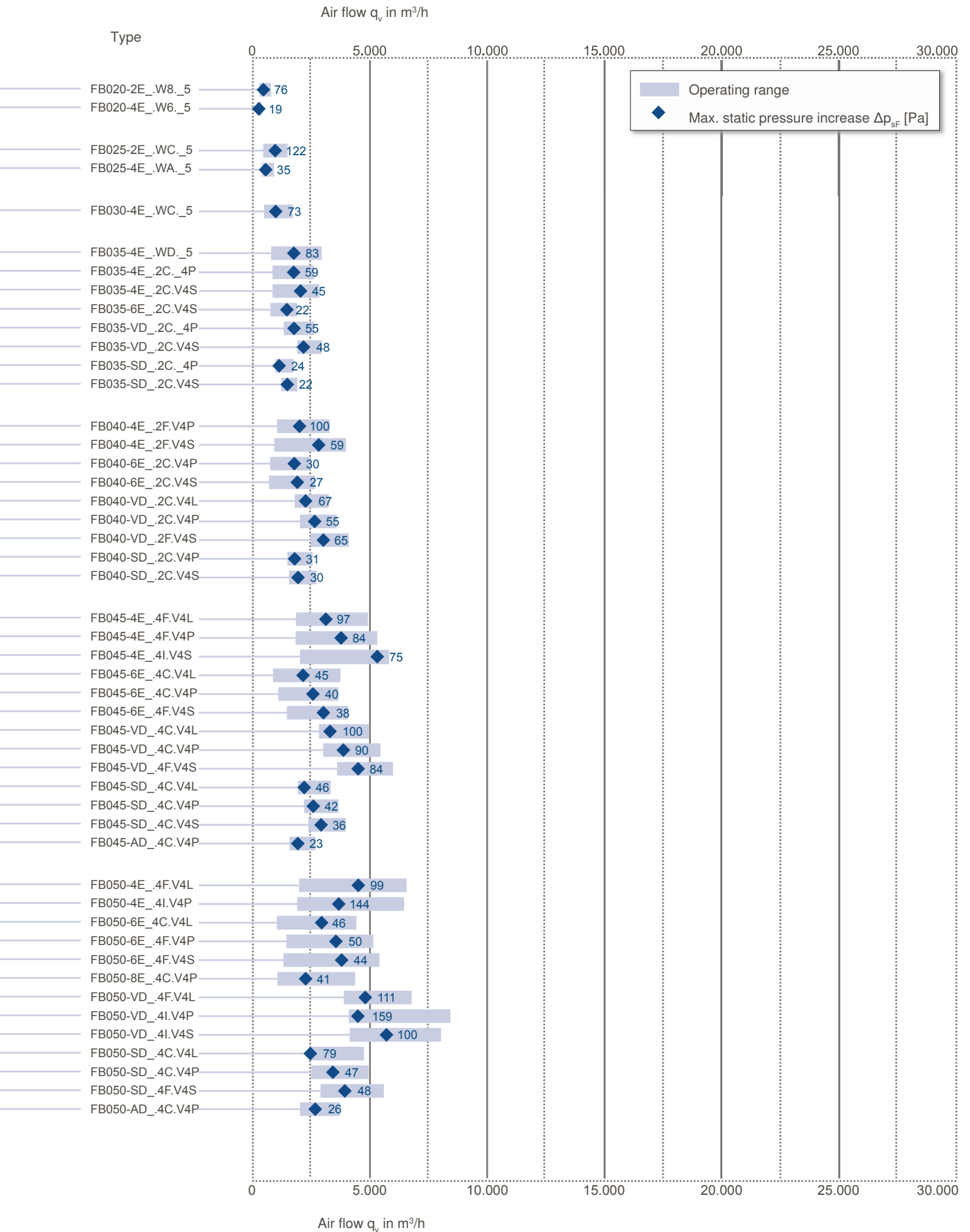
Appendix



Size	Voltage	Polecount	Type	Airflow direction	ErP	Page
200 mm	1~ 230 V	2	FB020-2E_W8_5	⇒ A ⇐ V	-	264
		4	FB020-4E_W6_5	⇒ A ⇐ V	-	266
250 mm	1~ 230 V	2	FB025-2E_WC_5	⇒ A ⇐ V	2013	268
		4	FB025-4E_WA_5	⇒ A ⇐ V	-	270
300 mm	1~ 230 V	4	FB030-4E_WC_5	⇒ A ⇐ V	-	272
350 mm	1~ 230 V	4	FB035-4E_WD_5	⇒ A ⇐ V	2015	274
		4	FB035-4E_2C_4P	⇒ A ⇐ V	-	276
		6	FB035-4E_2C.V4S	⇐ - V	-	278
	3~ 400 V	6	FB035-6E_2C.V4S	⇐ - V	-	280
		4-4	FB035-VD_2C_4P	⇒ A ⇐ V	2015	282
		4-4	FB035-VD_2C.V4S	⇐ - V	2015 *	284
400 mm	1~ 230 V	4	FB040-4E_2F.V4L	⇐ - V	2015	290
		4	FB040-4E_2F.V4S	⇐ - V	-	292
		6	FB040-6E_2C.V4P	⇐ - V	-	294
	3~ 400 V	6	FB040-6E_2C.V4S	⇐ - V	-	296
		4-4	FB040-VD_2C.V4L	⇐ - V	2015	398
		4-4	FB040-VD_2C.V4P	⇐ - V	2015	300
450 mm	1~ 230 V	4	FB045-4E_4F.V4L	⇐ - V	2015	308
		4	FB045-4E_4F.V4P	⇐ - V	2015 *	310
		4	FB045-4E_4I.V4S	⇐ - V	2013 *	312
	3~ 400 V	6	FB045-6E_2C.V4P	⇐ - V	-	314
		6	FB045-6E_4C.V4P	⇐ - V	-	316
		6	FB045-6E_4F.V4S	⇐ - V	-	318
500 mm	1~ 230 V	4-4	FB045-VD_4C.V4L	⇐ - V	2015	320
		4-4	FB045-VD_4C.V4P	⇐ - V	2015	322
		4-4	FB045-VD_4F.V4S	⇐ - V	2015 *	324
	3~ 400 V	6-6	FB045-SD_4C.V4L	⇐ - V	2015 *	326
		6-6	FB045-SD_4C.V4P	⇐ - V	2013	328
		8-8	FB045-SD_4C.V4S	⇐ - V	-	330
500 mm	1~ 230 V	8-8	FB045-AD_4C.V4P	⇐ - V	-	332
		4	FB050-4E_4F.V4L	⇐ - V	2015 *	334
		4	FB050-4E_4I.V4L	⇐ - V	2015	336
		6	FB050-6E_4C.V4L	⇐ - V	2013	338
		6	FB050-6E_4F.V4P	⇐ - V	2013	340
		6	FB050-6E_4F.V4S	⇐ - V	-	342
	3~ 400 V	8	FB050-8E_4C.V4P	⇐ - V	-	344
		4-4	FB050-VD_4F.V4L	⇐ - V	2015	346
		4-4	FB050-VD_4I.V4P	⇐ - V	2015	348
		4-4	FB050-VD_4I.V4S	⇐ - V	2013	350
		6-6	FB050-SD_4C.V4L	⇐ - V	2015	352
		6-6	FB050-SD_4C.V4P	⇐ - V	2013	354
500 mm	3~ 400 V	6-6	FB050-SD_4F.V4S	⇐ - V	2013	356
		8-8	FB050-AD_4C.V4P	⇐ - V	-	358

* with ZIEHL-ABEGG frequency inverter





Information

FE2owlet
ECblue

FE2owlet

FB

FC

System
components

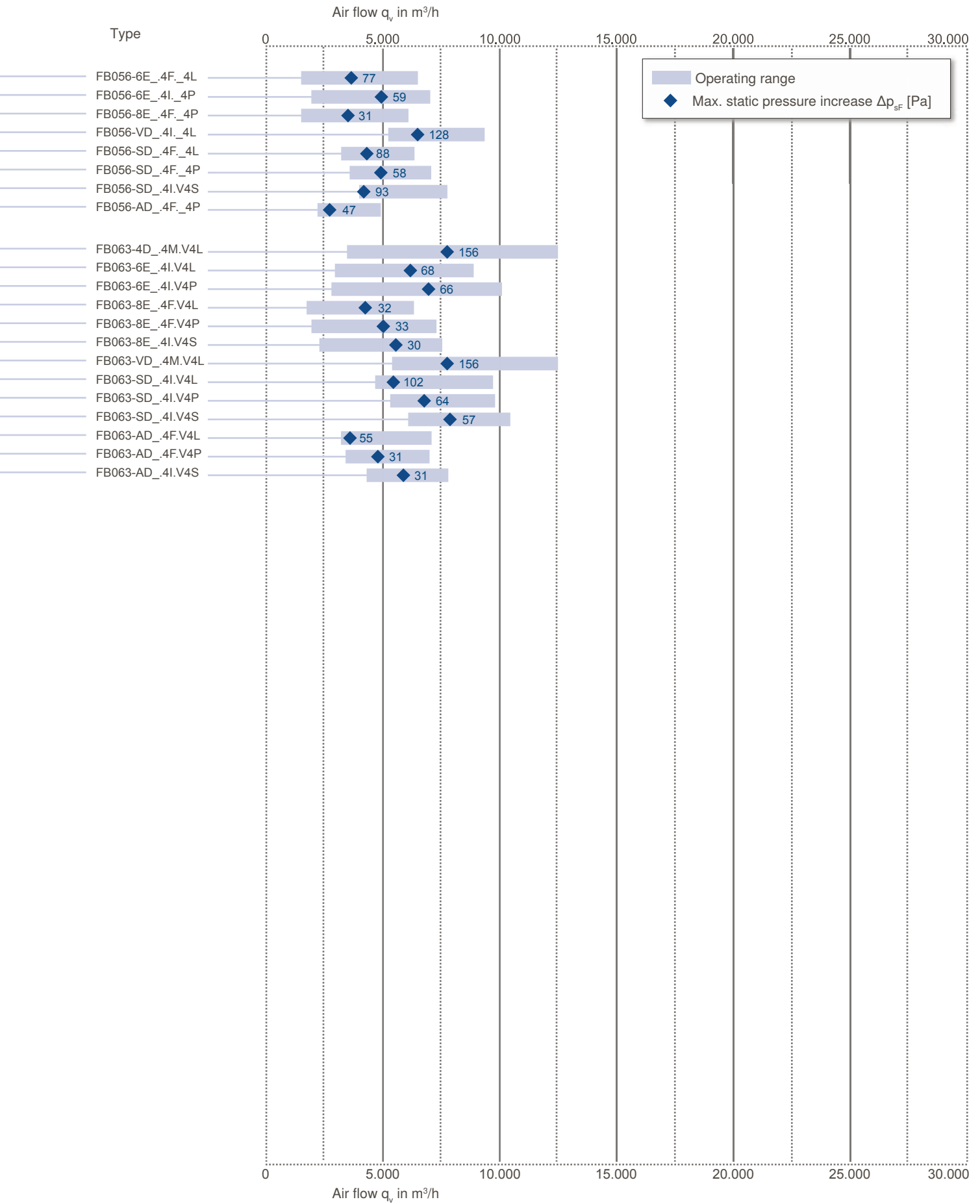
Control
technology

Appendix

Size	Voltage	Polecount	Type	Airflow direction	ErP	Page	
560 mm	1~ 230 V	6	FB056-6E_4F_4L	→ A ← V	2015	360	
			FB056-6E_4I_4P	→ A ← V	2013	362	
		8	FB056-8E_4F_4P	→ A ← V	-	364	
	3~ 400 V	4-4	FB056-VD_4I_4L	→ A ← V	2015	366	
			FB056-SD_4F_4L	→ A ← V	2015	368	
			FB056-SD_4F_4P	→ A ← V	2013	370	
			FB056-SD_4I.V4S	→ A ← V	2015	372	
			8-8	FB056-AD_4C_4L	→ A ← V	-	374
		630 mm	3~ 400 V	4	FB063-4D_4M.V4L	← V	2015
	FB063-6E_4I.V4L			← V	2015	378	
	FB063-6E_4I.V4P			← V	2013	380	
1~ 230 V	8		FB063-8E_4F.V4L	← V	-	382	
			FB063-8E_4F.V4P	← V	-	384	
			FB063-8E_4I.V4S	← V	-	386	
3~ 400 V	4-4		FB063-VD_4M.V4L	← V	2015	388	
			FB063-SD_4I.V4L	← V	2015	390	
			FB063-SD_4I.V4P	← V	2015 *	392	
			FB063-SD_4I.V4S	← V	-	394	
			8-8	FB063-AD_4F.V4L	← V	2015*	396
			FB063-AD_4F.V4P	← V	-	398	
	FB063-AD_4I.V4S		← V	-	400		

* with ZIEHL-ABEGG frequency inverter





- Information
- FE2owlet
ECblue
- FE2owlet
- FB
- FC
- System components
- Control technology
- Appendix

FB

for single phase alternating current, 2 pole

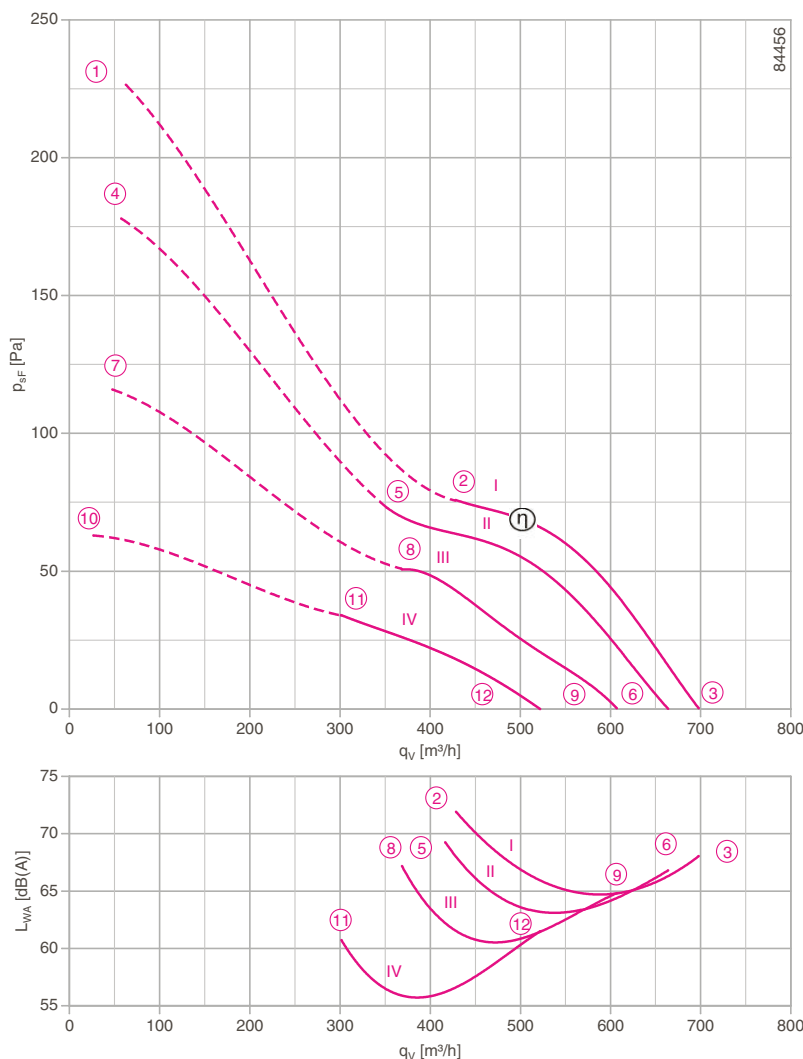
FBO20-2E



Description

Motor technology: AC
 Rated voltage U_N : 1~ 230 V*
 Rated frequency f_N : 50 Hz* (60Hz data available)
 Motor input power P_1 : 0.05 kW*
 Rated current I_N : 0.26 A*
 Rated speed n_N : 2730 min⁻¹*
 Starting current I_s : 0.62 A
 Current increase ΔI : 0 %
 Service capacitor C_{400V} : 1.5 μ F
 Thermal class: THCL155*
 Min. permitted conveyor temperature $t_{R(min)}$: -40 °C
 Max. permitted conveyor temperature $t_{R(max)}$: 80 °C
 Electrical connection: Supply cable variable 45 cm
 Number of blades: 5
 Motor protection: Thermal contact
 Blades: Steel, powder-coated, black
 Rotor: Aluminium, 1 coat paint, Ultramarine blue
 Conformity: CE
ErP Data
 Is not subject to the ErP Guidelines ($P_1 < 125$ W)
 * Rated data

Characteristic curve



Measured in full bell mouth without guard grille in installation type A according to ISO 5801

- Connection diagram 1360-177X Page 609
- System components Page 524

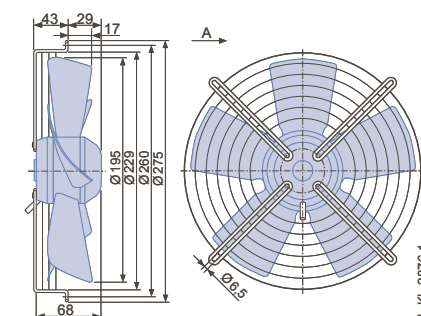
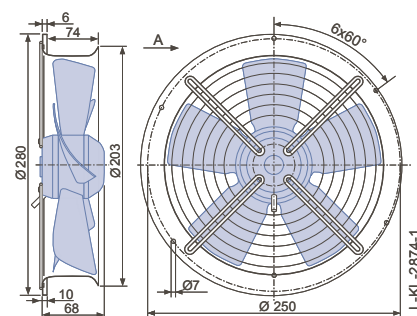
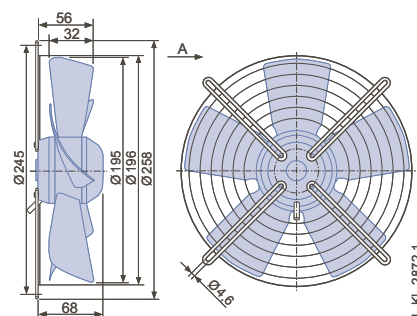
Dimensions [mm]

Airflow direction A

Design D - axial bolted, suspension for full bell mouth Q and L

Design L - round, full bell mouth

Design W - axial bolted, mounting for short bell mouth E




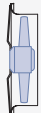




Performance data

Type	Characteristic curve	Voltage	Operating point	Current	Motor input power	Speed	Suction side sound power level
		U [V]		I [A]	P ₁ [W]	n [min ⁻¹]	
FB020-2E_W8_5	I	230	①	0.29	65	2600	72
		230*	②	0.26*	55*	2730*	
		230	③	0.25	50	2770	
	II	170	④	0.27	46	2300	68
		170	⑤	0.22	36	2550	
		170	⑥	0.20	32	2640	
	III	135	⑦	0.28	36	1850	67
		135	⑧	0.23	30	2260	
		135	⑨	0.20	26	2420	
	IV	110	⑩	0.25	28	1350	67
		110	⑪	0.23	24	1830	
		110	⑫	0.21	22	2070	

*rated data

Fan ordering information

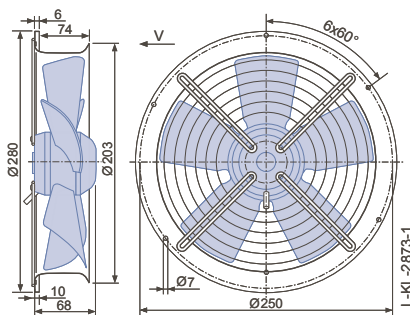
Airflow direction A				Airflow direction V			
Design	D	L	W	H	I	K	
							
Type	FB020-2ED.W8.A5	FB020-2EL.W8.A5	FB020-2EW.W8.A5	FB020-2EH.W8.V5	FB020-2EI.W8.V5	FB020-2EK.W8.V5	
Article no.	139667	139674	140543	139695	139688	138870	
Weight [kg]	1.60	2.40	1.90	2.40	1.60	1.90	

Control technology

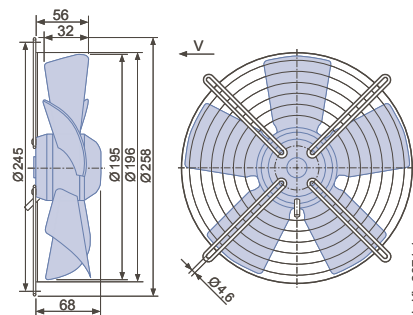
<p>Frequency inverter Fcontrol 1~</p>  <p>Page 552</p>	<p>Motor protection units 1~</p>  <p>Page 596</p>	<p>Transformer-based controllers 1~</p>  <p>Page 587</p>	<p>Electronic voltage controllers 1~</p>  <p>Page 562</p>
---	--	---	---

Airflow direction V

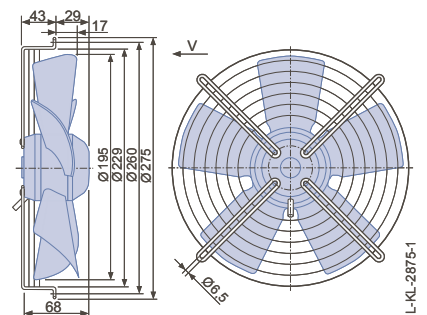
Design H - pipe sockets with a flange



Design I - axial bolted, mounting for bell mouth flange for pipe socket H or full bell mouth Q or L



Design K - axial bolted, mounted for short bell mouth E



FB

for single phase alternating current, 4 pole

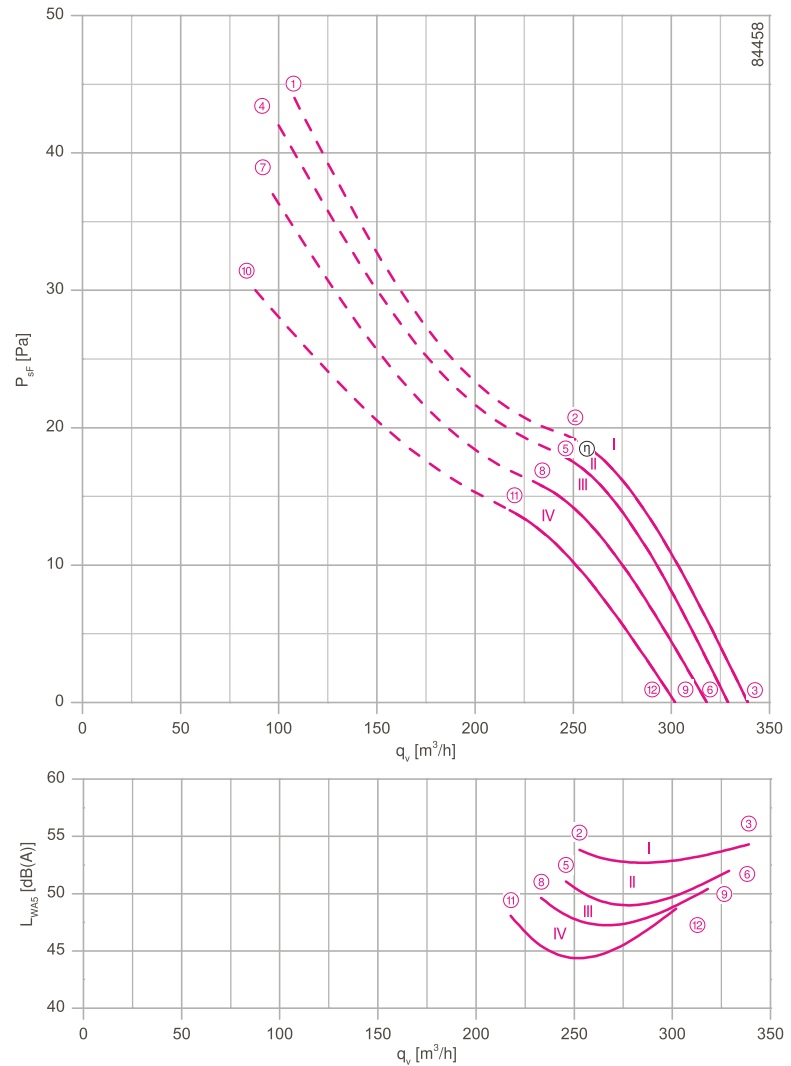
FBO20-4E



Description

Motor technology: AC
 Rated voltage U_N : 1~ 230 V*
 Rated frequency f_N : 50 Hz* (60Hz data available)
 Motor input power P_1 : 0.03 kW*
 Rated current I_N : 0.15 A*
 Rated speed n_N : 1400 min⁻¹*
 Starting current I_s : 0.24 A
 Current increase ΔI : 0 %
 Service capacitor C_{400V} : 1.0 μ F
 Thermal class: THCL155*
 Min. permitted conveyor temperature $t_{R(min)}$: -40 °C
 Max. permitted conveyor temperature $t_{R(max)}$: 70 °C
 Electrical connection: Supply cable variable 45 cm
 Number of blades: 5
 Motor protection: Thermal contact
 Blades: Steel, powder-coated, black
 Rotor: Aluminium, 1 coat paint, Ultramarine blue
 Conformity: CE
ErP Data
 Is not subject to the ErP Guidelines ($P_1 < 125$ W)
 * Rated data

Characteristic curve



Measured in full bell mouth without guard grille in installation type A according to ISO 5801

- Connection diagram 1360-177X Page 609
- System components Page 524

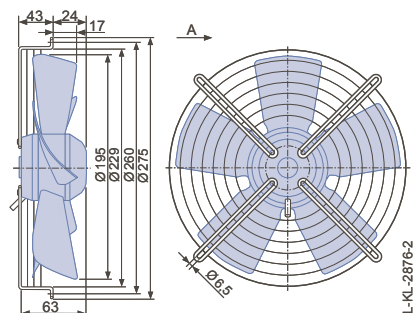
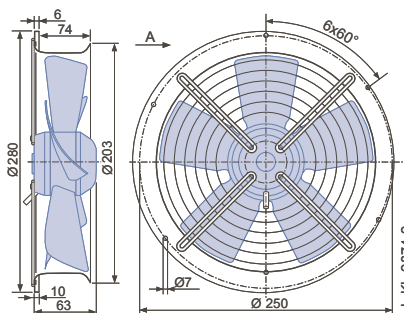
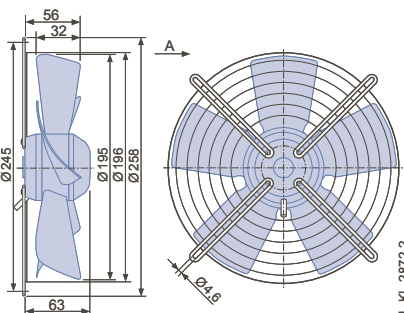
Dimensions [mm]

Airflow direction A

Design D - axial bolted, suspension for full bell mouth Q and L

Design L - round, full bell mouth

Design W - axial bolted, mounting for short bell mouth E









Performance data

Type	Characteristic curve	Voltage	Operating point	Current	Motor input power	Speed	Suction side sound power level
		U [V]		I [A]	P ₁ [W]	n [min ⁻¹]	
FB020-4E_W6_5	I	230	①	0.15	30	1390	54
		230*	②	0.15*	30*	1400*	
		230	③	0.15	28	1410	
	II	170	④	0.11	16	1340	51
		170	⑤	0.10	16	1360	
		170	⑥	0.10	15	1380	
	III	135	⑦	0.09	12	1260	50
		135	⑧	0.09	11	1300	
		135	⑨	0.08	10	1330	
	IV	110	⑩	0.08	8	1130	48
		110	⑪	0.08	8	1200	
		110	⑫	0.07	8	1260	

*rated data

Fan ordering information

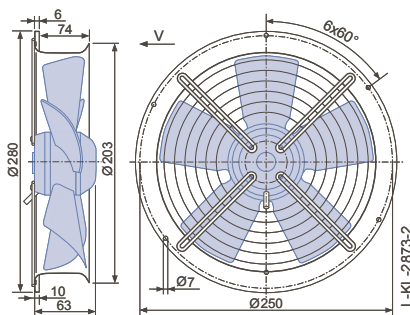
Airflow direction A			Airflow direction V			
Design	D	L	W	H	I	K
						
Type	FB020-4ED.W6.A5	FB020-4EL.W6.A5	FB020-4EW.W6.A5	FB020-4EH.W6.V5	FB020-4EI.W6.V5	FB020-4EK.W6.V5
Article no.	139668	139675	140544	139696	139689	138871
Weight [kg]	1.40	2.20	1.70	2.20	1.40	1.70

Control technology

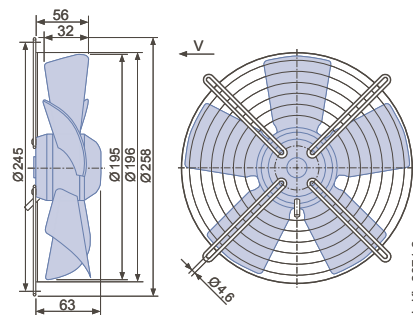
<p>Frequency inverter Fcontrol 1~</p>  <p>Page 552</p>	<p>Motor protection units 1~</p>  <p>Page 596</p>	<p>Transformer-based controllers 1~</p>  <p>Page 587</p>	<p>Electronic voltage controllers 1~</p>  <p>Page 562</p>
---	--	---	--

Airflow direction V

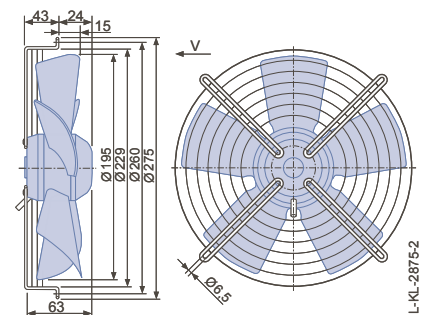
Design H - pipe sockets with a flange



Design I - axial bolted, mounting for bell mouth flange for pipe socket H or full bell mouth Q or L



Design K - axial bolted, mounted for short bell mouth E



FB

for single phase alternating current, 2 pole

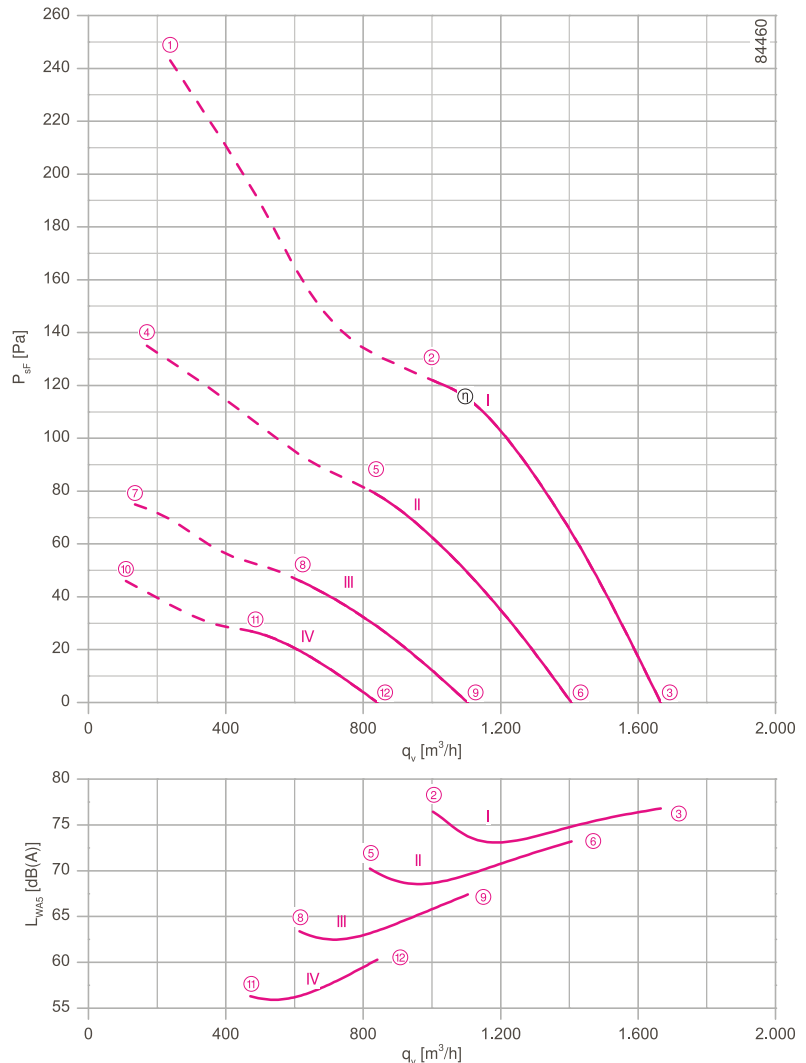
FBO25-2E



Description

Motor technology: AC
 Rated voltage U_N : 1~ 230 V*
 Rated frequency f_N : 50 Hz* (60Hz data available)
 Motor input power P_1 : 0.14 kW*
 Rated current I_N : 0.60 A*
 Rated speed n_N : 2440 min⁻¹*
 Starting current I_s : 1.15 A
 Current increase ΔI : 0 %
 Service capacitor C_{400V} : 4.0 μ F
 Thermal class: THCL155*
 Min. permitted conveyor temperature $t_{R(min)}$: -40 °C
 Max. permitted conveyor temperature $t_{R(max)}$: 75 °C
 Electrical connection: Supply cable variable 45 cm
 Number of blades: 5
 Motor protection: Thermal contact
 Blades: Steel, powder-coated, black
 Rotor: Aluminium, 1 coat paint, Ultramarine blue
 Conformity: ErP 2013, CE
ErP Data
 Efficiency η_{statA} : 26.0 %
 Efficiency: $N_{actual} = 37.8 / N_{target} = 36^{**}$
 * Rated data
 **ErP 2013

Characteristic curve



Measured in full bell mouth without guard grille in installation type A according to ISO 5801

- Connection diagram 1360-177X Page 609
- System components Page 524

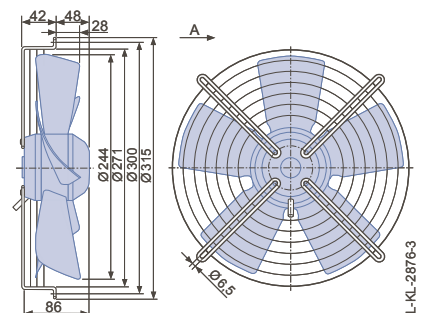
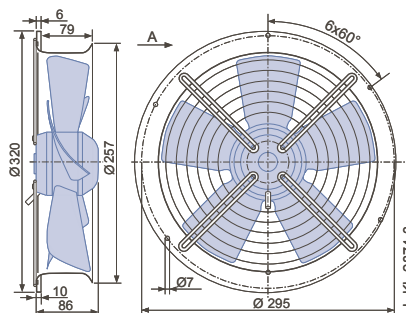
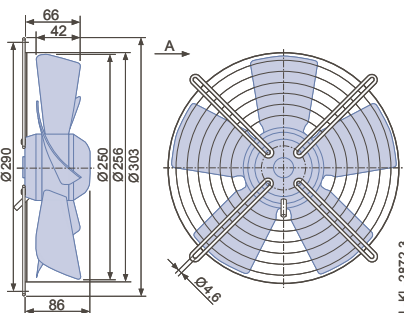
Dimensions [mm]

Airflow direction A

Design D - axial bolted, suspension for full bell mouth Q and L

Design L - round, full bell mouth

Design W - axial bolted, mounting for short bell mouth E




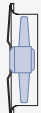




Performance data

Type	Characteristic curve	Voltage	Operating point	Current	Motor input power	Speed	Suction side sound power level
		U [V]		I [A]	P ₁ [W]	n [min ⁻¹]	L _{WAS} [dB]
FB025-2E_WC_5	I	230	①	0.70	160	2250	
		230*	②	0.60*	140*	2440*	77
		230	③	0.54	120	2550	77
	II	170	④	0.66	110	1660	
		170	⑤	0.60	100	1980	70
		170	⑥	0.54	90	2180	73
	III	135	⑦	0.58	75	1250	
		135	⑧	0.56	75	1500	63
		135	⑨	0.52	70	1710	67
	IV	110	⑩	0.48	50	970	
		110	⑪	0.48	50	1150	56
		110	⑫	0.46	50	1310	60

*rated data

Fan ordering information

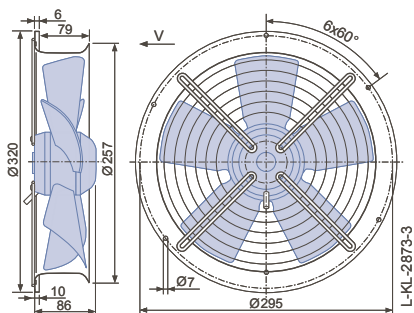
Airflow direction A				Airflow direction V			
Design	D	L	W	H	I	K	
							
Type	FB025-2ED.WC.A5	FB025-2EL.WC.A5	FB025-2EW.WC.A5	FB025-2EH.WC.V5	FB025-2EI.WC.V5	FB025-2EK.WC.V5	
Article no.	139669	139676	140545	139697	139690	138872	
Weight [kg]	2.60	3.60	2.90	3.50	2.60	3.00	

Control technology

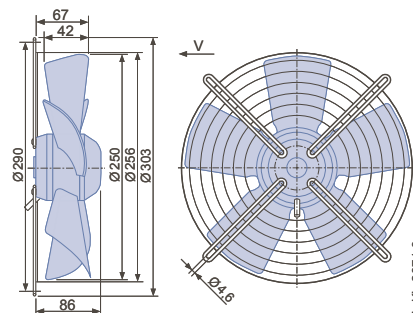
<p>Frequency inverter Fcontrol 1~</p>  <p>Page 552</p>	<p>Motor protection units 1~</p>  <p>Page 596</p>	<p>Transformer-based controllers 1~</p>  <p>Page 587</p>	<p>Electronic voltage controllers 1~</p>  <p>Page 562</p>
---	--	---	---

Airflow direction V

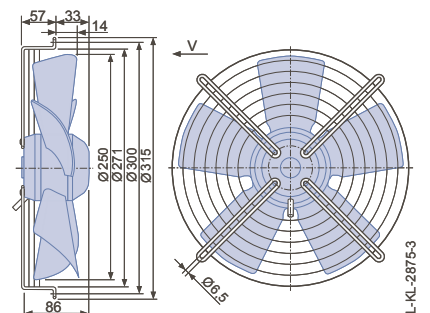
Design H - pipe sockets with a flange



Design I - axial bolted, mounting for bell mouth flange for pipe socket H or full bell mouth Q or L



Design K - axial bolted, mounted for short bell mouth E



FB

for single phase alternating current, 4 pole

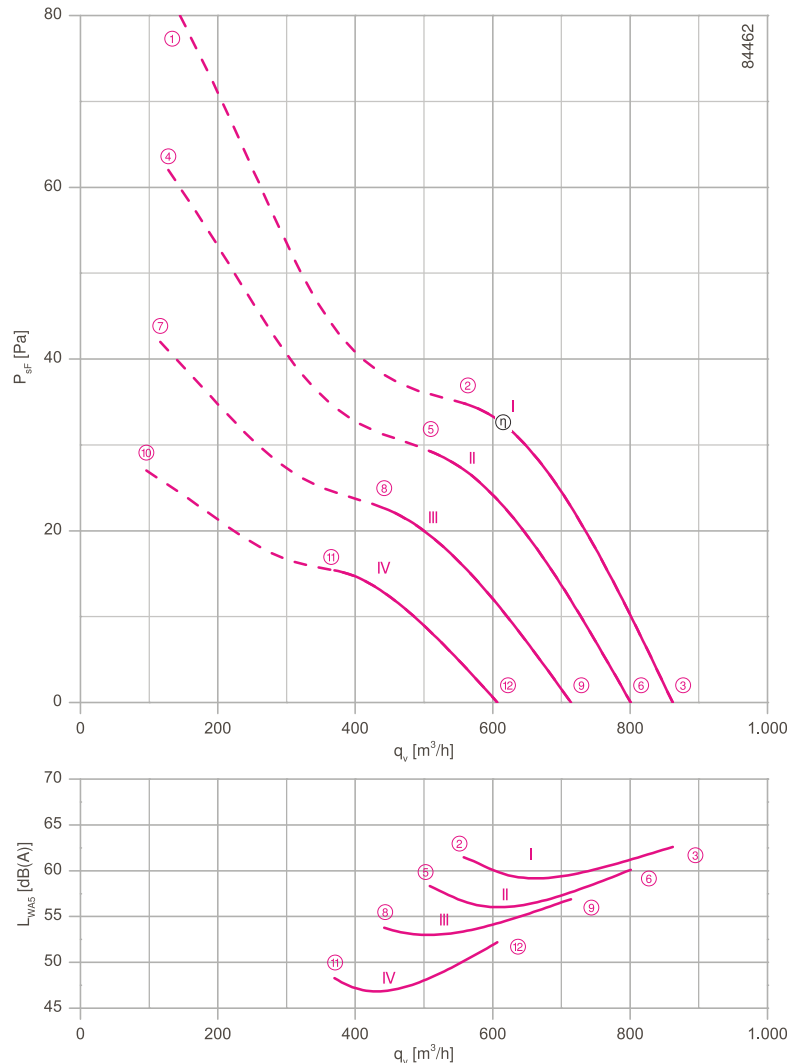
FBO25-4E



Description

Motor technology: AC
 Rated voltage U_N : 1~ 230 V*
 Rated frequency f_N : 50 Hz* (60Hz data available)
 Motor input power P_1 : 0.04 kW*
 Rated current I_N : 0.16 A*
 Rated speed n_N : 1340 min⁻¹*
 Starting current I_s : 0.30 A
 Current increase ΔI : 0 %
 Service capacitor C_{400V} : 1.5 μ F
 Thermal class: THCL155*
 Min. permitted conveyor temperature $t_{R(min)}$: -40 °C
 Max. permitted conveyor temperature $t_{R(max)}$: 80 °C
 Electrical connection: Supply cable variable 45 cm
 Number of blades: 5
 Motor protection: Thermal contact
 Blades: Steel, powder-coated, black
 Rotor: Aluminium, 1 coat paint, Ultramarine blue
 Conformity: CE
ErP Data
 Is not subject to the ErP Guidelines ($P_1 < 125$ W)
 * Rated data

Characteristic curve



Measured in full bell mouth without guard grille in installation type A according to ISO 5801

- Connection diagram 1360-177X Page 609
- System components Page 524

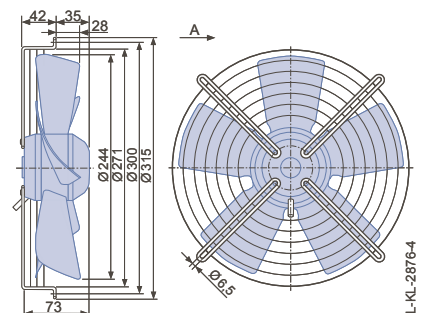
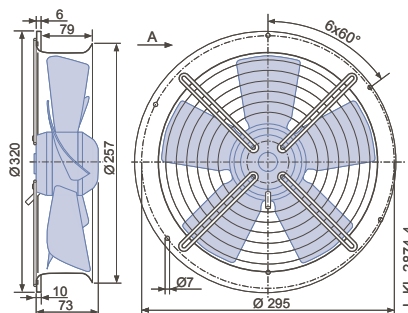
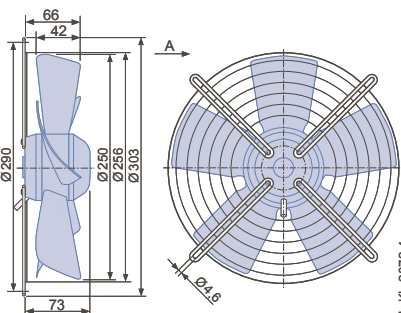
Dimensions [mm]

Airflow direction A

Design D - axial bolted, suspension for full bell mouth Q and L

Design L - round, full bell mouth

Design W - axial bolted, mounting for short bell mouth E




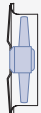




Performance data

Type	Characteristic curve	Voltage	Operating point	Current	Motor input power	Speed	Suction side sound power level
		U [V]		I [A]	P ₁ [W]	n [min ⁻¹]	
FB025-4E_WA_5	I	230	①	0.17	40	1300	
		230*	②	0.16*	36*	1340*	62
		230	③	0.16	36	1370	63
	II	170	④	0.15	26	1140	
		170	⑤	0.14	24	1220	59
		170	⑥	0.13	22	1270	60
	III	135	⑦	0.14	19	950	
		135	⑧	0.13	18	1060	54
		135	⑨	0.12	17	1130	57
	IV	110	⑩	0.13	14	760	
		110	⑪	0.12	13	880	48
		110	⑫	0.11	12	950	52

*rated data

Fan ordering information

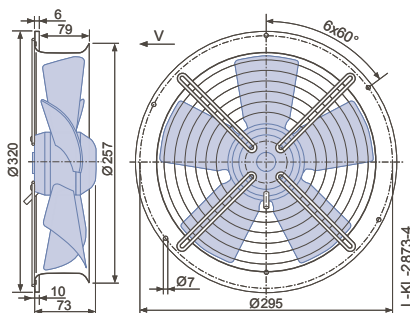
Airflow direction A				Airflow direction V		
Design	D	L	W	H	I	K
						
Type	FB025-4ED.WA.A5	FB025-4EL.WA.A5	FB025-4EW.WA.A5	FB025-4EH.WA.V5	FB025-4EI.WA.V5	FB025-4EK.WA.V5
Article no.	139670	139677	140546	139698	139691	138873
Weight [kg]	2.10	3.10	2.40	3.10	2.10	2.50

Control technology

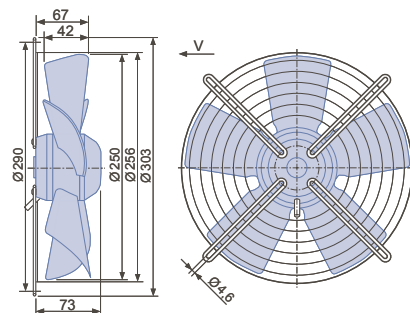
<p>Frequency inverter Fcontrol 1~</p>  <p>Page 552</p>	<p>Motor protection units 1~</p>  <p>Page 596</p>	<p>Transformer-based controllers 1~</p>  <p>Page 587</p>	<p>Electronic voltage controllers 1~</p>  <p>Page 562</p>
---	--	---	--

Airflow direction V

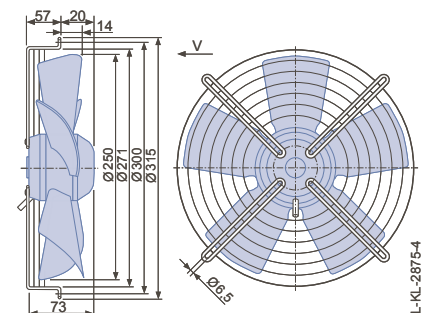
Design H - pipe sockets with a flange



Design I - axial bolted, mounting for bell mouth flange for pipe socket H or full bell mouth Q or L



Design K - axial bolted, mounted for short bell mouth E



FB

for single phase alternating current, 4 pole

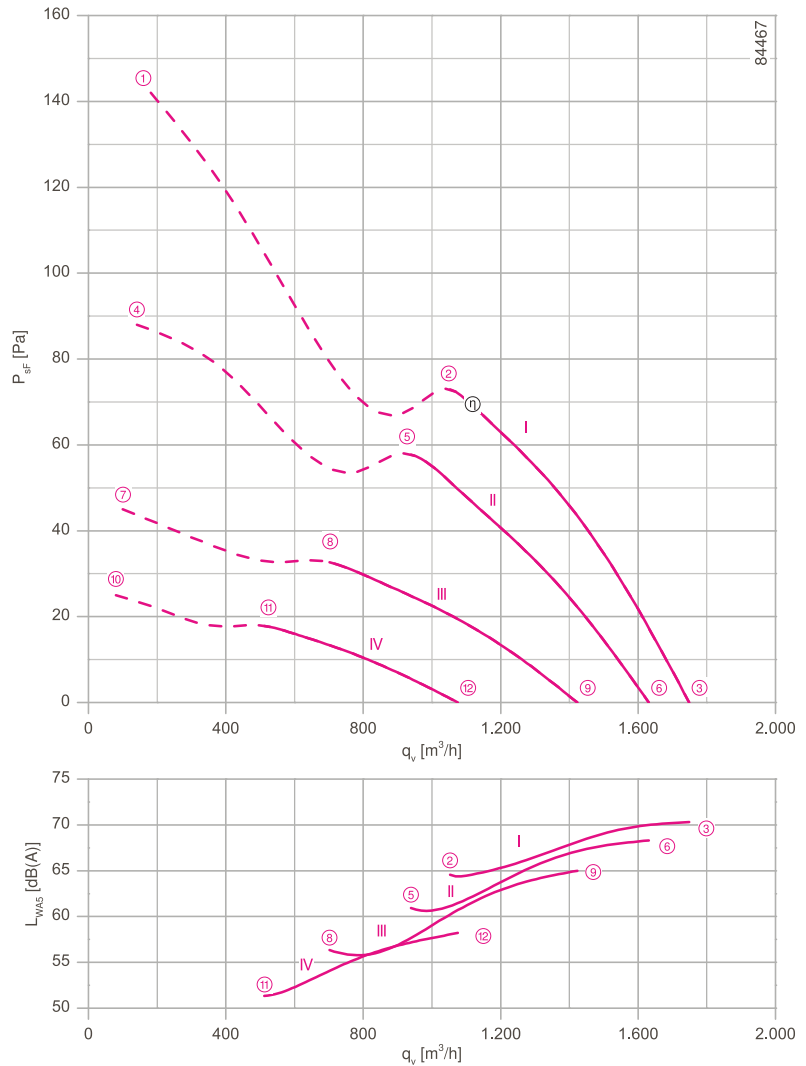
FBO30-4E



Description

Motor technology: AC
Rated voltage U_N : 1~ 230 V*
Rated frequency f_N : 50 Hz* (60Hz data available)
Motor input power P_1 : 0.09 kW*
Rated current I_N : 0.39 A*
Rated speed n_N : 1360 min⁻¹*
Starting current I_A : 0.77 A
Current increase ΔI : 0 %
Service capacitor C_{400V} : 3.0 μF
Thermal class: THCL155*
Min. permitted conveyor temperature $t_{R(min)}$: -40 °C
Max. permitted conveyor temperature $t_{R(max)}$: 65 °C
Electrical connection: Supply cable variable 45 cm
Number of blades: 5
Motor protection: Thermal contact
Blades: Steel, powder-coated, black
Rotor: Aluminium, 1 coat paint, Ultramarine blue
Conformity: CE
ErP Data
Is not subject to the ErP Guidelines ($P_1 < 125$ W)
* Rated data

Characteristic curve



Measured in full bell mouth without guard grille in installation type A according to ISO 5801

- Connection diagram 1360-177X Page 609
- System components Page 524

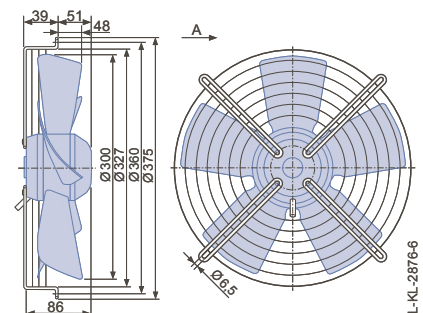
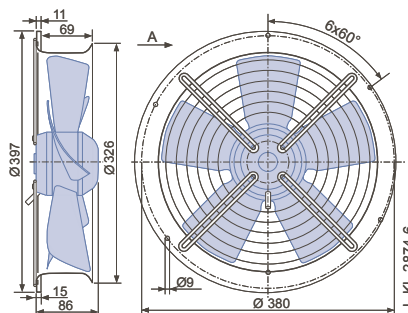
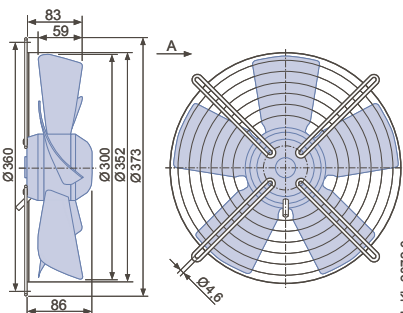
Dimensions [mm]

Airflow direction A

Design D - axial bolted, suspension for full bell mouth Q and L

Design L - round, full bell mouth

Design W - axial bolted, mounting for short bell mouth E









Performance data





Type	Characteristic curve	Voltage	Operating point	Current	Motor input power	Speed	Suction side sound power level
		U [V]		I [A]	P ₁ [W]	n [min ⁻¹]	
FB030-4E_WC_5	I	230	①	0.44	100	1300	65
		230*	②	0.39*	90*	1360*	
		230	③	0.35	80	1400	
	II	170	④	0.44	75	1030	61
		170	⑤	0.38	65	1200	
		170	⑥	0.32	55	1320	
	III	135	⑦	0.39	50	730	56
		135	⑧	0.37	50	910	
		135	⑨	0.32	44	1150	
	IV	110	⑩	0.33	36	540	51
		110	⑪	0.33	34	650	
		110	⑫	0.31	34	870	

*rated data

Fan ordering information

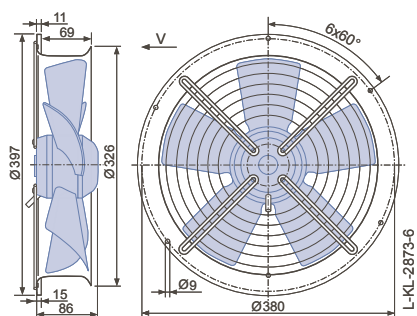
Airflow direction A				Airflow direction V			
Design	D	L	W	H	I	K	
							
Type	FB030-4ED.WC.A5	FB030-4EL.WC.A5	FB030-4EW.WC.A5	FB030-4EH.WC.V5	FB030-4EI.WC.V5	FB030-4EK.WC.V5	
Article no.	141625	141626	141627	141629	141628	141630	
Weight [kg]	3.00	4.50	3.30	4.60	3.00	3.30	

Control technology

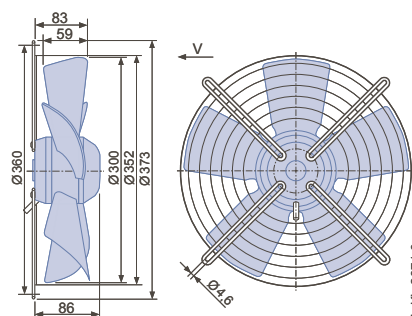
<p>Frequency inverter Fcontrol 1~</p>  <p>Page 552</p>	<p>Motor protection units 1~</p>  <p>Page 596</p>	<p>Transformer-based controllers 1~</p>  <p>Page 587</p>	<p>Electronic voltage controllers 1~</p>  <p>Page 562</p>
---	--	---	--

Airflow direction V

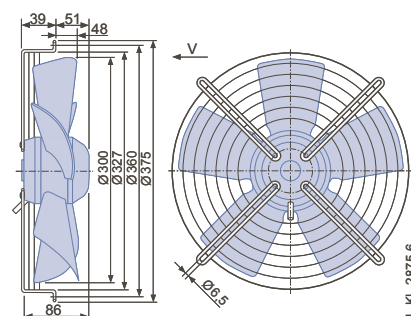
Design H - pipe sockets with a flange



Design I - axial bolted, mounting for bell mouth flange for pipe socket H or full bell mouth Q or L



Design K - axial bolted, mounted for short bell mouth E



FB

for single phase alternating current, 4 pole

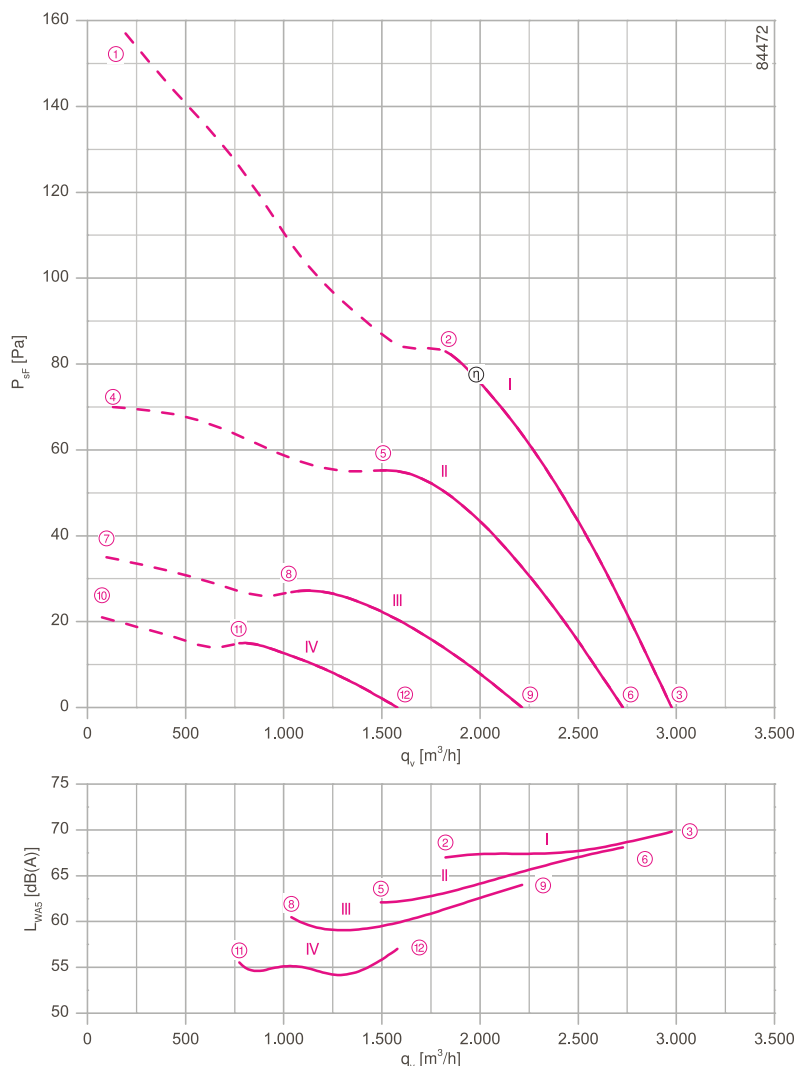
FBO35-4E



Description

Motor technology: AC
 Rated voltage U_N : 1~ 230 V*
 Rated frequency f_N : 50 Hz* (60Hz data available)
 Motor input power P_1 : 0.15 kW*
 Rated current I_N : 0.68 A*
 Rated speed n_N : 1290 min⁻¹*
 Current increase ΔI : 0 %
 Service capacitor C_{400V} : 5.0 μ F
 Thermal class: THCL155*
 Min. permitted conveyor temperature $t_{R(min)}$: -40 °C
 Max. permitted conveyor temperature $t_{R(max)}$: 65 °C
 Electrical connection: Supply cable variable 45 cm
 Number of blades: 5
 Motor protection: Thermal contact
 Blades: Steel, powder-coated, black
 Rotor: Aluminium, 1 coat paint, Ultramarine blue
 Conformity: ErP 2015, CE
ErP Data
 Efficiency η_{statA} : 28.8 %
 Efficiency: $N_{actual} = 40.3 / N_{target} = 40$ **
 * Rated data
 **ErP 2015

Characteristic curve



Measured in full bell mouth without guard grille in installation type A according to ISO 5801

- Connection diagram 1360-177X Page 609
- System components Page 524

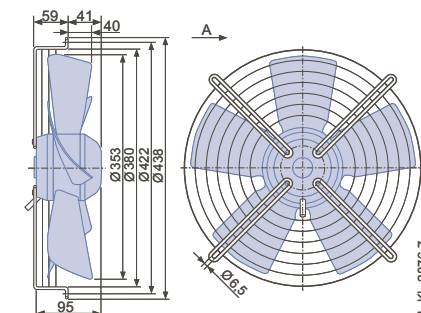
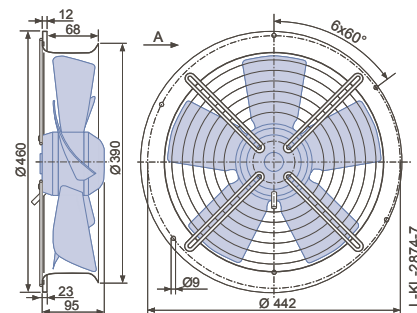
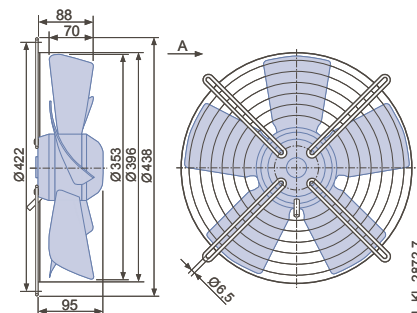
Dimensions [mm]

Airflow direction A

Design D - axial bolted, suspension for full bell mouth Q and L

Design L - round, full bell mouth

Design W - axial bolted, mounting for short bell mouth E




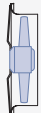




Performance data

Type	Characteristic curve	Voltage	Operating point	Current	Motor input power	Speed	Suction side sound power level
		U [V]		I [A]	P ₁ [W]	n [min ⁻¹]	
FB035-4E_WD_5	I	230	①	0.82	190	1120	
		230*	②	0.68*	150*	1290*	67
		230	③	0.56	130	1360	70
	II	170	④	0.74	120	740	
		170	⑤	0.66	110	1060	62
		170	⑥	0.54	90	1260	68
	III	135	⑦	0.60	80	520	
		135	⑧	0.58	75	740	60
		135	⑨	0.52	70	1020	64
	IV	110	⑩	0.48	50	410	
		110	⑪	0.48	50	540	55
		110	⑫	0.46	50	730	57

*rated data

Fan ordering information

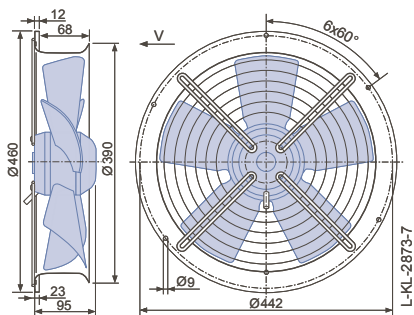
Airflow direction A			Airflow direction V			
Design	D	L	W	H	I	K
						
Type	FB035-4ED.WD.A5	FB035-4EL.WD.A5	FB035-4EW.WD.A5	FB035-4EH.WD.V5	FB035-4EI.WD.V5	FB035-4EK.WD.V5
Article no.	152695	152696	152697	152699	152698	152700
Weight [kg]	4.00	6.00	4.50	6.00	4.00	4.60

Control technology

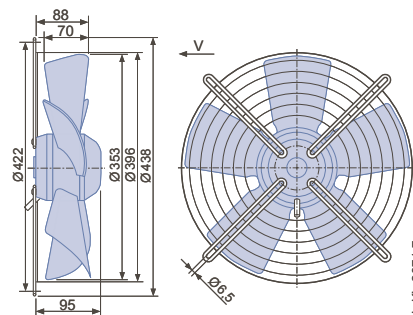
<p>Frequency inverter Fcontrol 1~</p>  <p>Page 552</p>	<p>Motor protection units 1~</p>  <p>Page 596</p>	<p>Transformer-based controllers 1~</p>  <p>Page 587</p>	<p>Electronic voltage controllers 1~</p>  <p>Page 562</p>
---	--	---	---

Airflow direction V

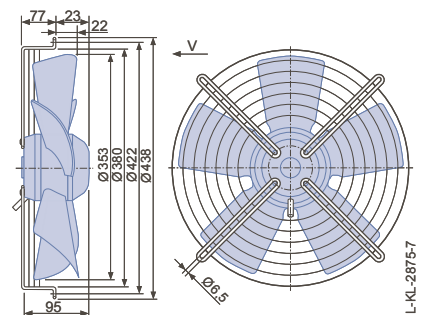
Design H - pipe sockets with a flange



Design I - axial bolted, mounting for bell mouth flange for pipe socket H or full bell mouth Q or L



Design K - axial bolted, mounted for short bell mouth E



FB

for single phase alternating current, 4 pole

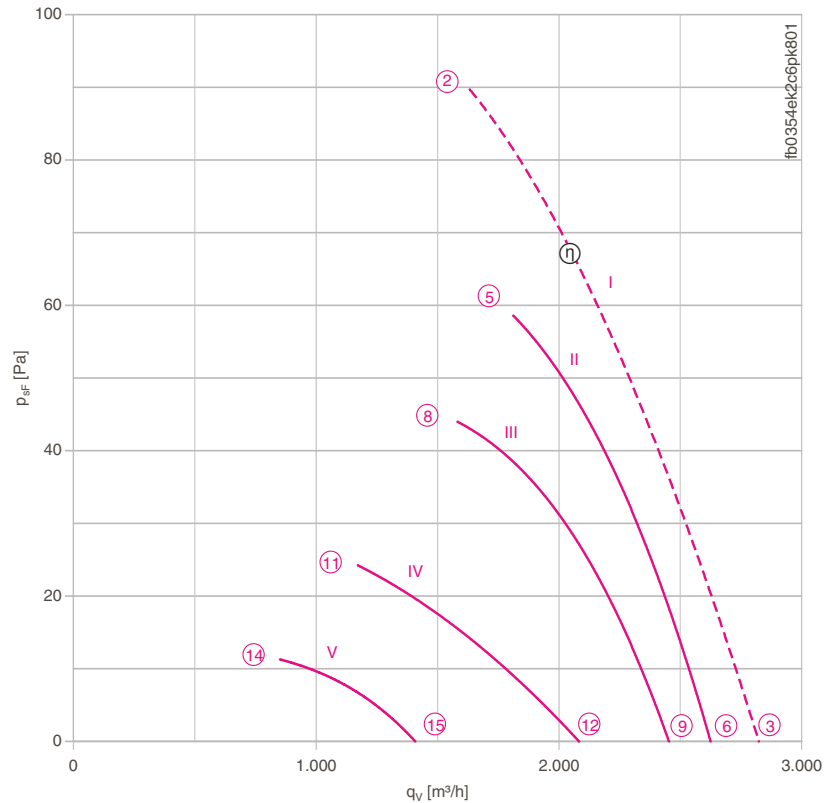
FBO35-4E



Description

Motor technology: AC
 Rated voltage U_N : 1~ 230 V±10 %*
 Rated frequency f_N : 50 Hz* (60Hz data available)
 Motor input power P_1 : 0.19 kW*
 Rated current I_N : 0.89 A*
 Rated speed n_N : 1330 min⁻¹*
 Starting current I_s : 1.40 A
 Current increase ΔI : 0 %
 Service capacitor C_{400V} : 5.0 μ F
 Thermal class: **THCL155***
 Min. permitted conveyor temperature $t_{R(min)}$: -25 °C
 Max. permitted conveyor temperature $t_{R(max)}$: 70 °C
 Electrical connection: Terminal box
 Number of blades: 4
 Protection class: IP54
 Motor protection: Thermal contact
 Blades: Aluminium, uncoated
 Rotor: Aluminium, uncoated
 * Rated data

Characteristic curve



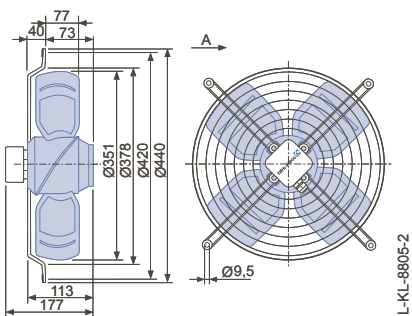
I) Measured in full bell mouth without guard grille in installation type A according to ISO 5801.
 II-x) Measured in short-bell mouth with compressed side contact protection.

- Connection diagrams Page 608
 - for airflow direction V 1360-104XA
 - for airflow direction A 1360-104XB
- System components Page 524

Dimensions [mm]

Airflow direction A

Design W - axial bolted, mounting for short bell mouth E





Performance data

Type	Characteristic curve	Voltage	Operating point	Current	Motor input power	Speed	Suction side sound power level
		U [V]		I [A]	P ₁ [W]	n [min ⁻¹]	
FB035-4E_2C_4P	I	230*	②	0.89*	190*	1330*	69
		230	③	0.73	150	1410	
		230	⑤	0.75	160	1390	
	II	230	⑥	0.72	150	1420	68
		160	⑧	0.68	105	1250	67
		160	⑨	0.60	94	1320	65
	IV	130	⑪	0.68	80	930	60
		130	⑫	0.62	77	1130	61
		105	⑭	0.58	54	660	54
	V	105	⑮	0.57	53	770	53

*rated data

Fan ordering information

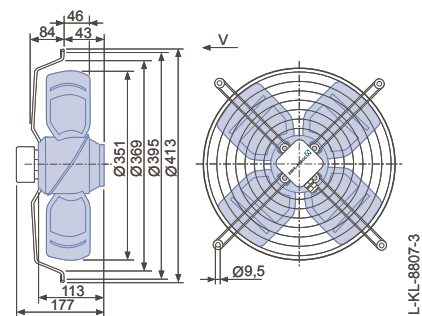
Airflow direction A		Airflow direction V	
Design	W		K
			
Type	FB035-4EW.2C.A4P		FB035-4EK.2C.V4P
Article no.	106938		124158
Weight [kg]	4.50		4.80

Control technology

<p>Frequency inverter Fcontrol 1~</p>  <p>➤ Page 552</p>	<p>Motor protection units 1~</p>  <p>➤ Page 596</p>	<p>Transformer-based controllers 1~</p>  <p>➤ Page 587</p>	<p>Electronic voltage controllers 1~</p>  <p>➤ Page 562</p>
---	--	---	--

Airflow direction V

Design K - axial bolted, mounted for short bell mouth E



FB

for single phase alternating current, 4 pole

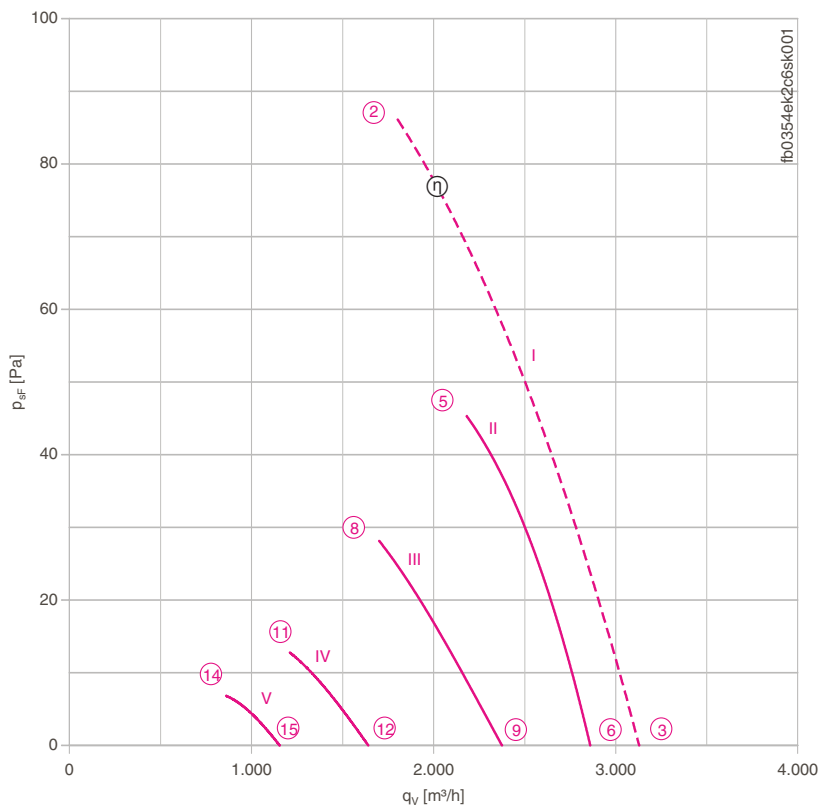
FBO35-4E



Description

Motor technology: AC
 Rated voltage U_N : 1~ 230 V \pm 10 %*
 Rated frequency f_N : 50 Hz*
 Motor input power P_1 : 0.20 kW*
 Rated current I_N : 0.92 A*
 Rated speed n_N : 1300 min⁻¹*
 Starting current I_A : 1.35 A
 Current increase ΔI : 0 %
 Service capacitor C_{400V} : 4.0 μ F
 Thermal class: **THCL155***
 Min. permitted conveyor temperature $t_{R(min)}$: -25 °C
 Max. permitted conveyor temperature $t_{R(max)}$: 70 °C
 Electrical connection: Terminal box
 Number of blades: 4
 Protection class: IP54
 Motor protection: Thermal contact
 Blades: Aluminium, uncoated
 Rotor: Aluminium, uncoated
 * Rated data

Characteristic curve

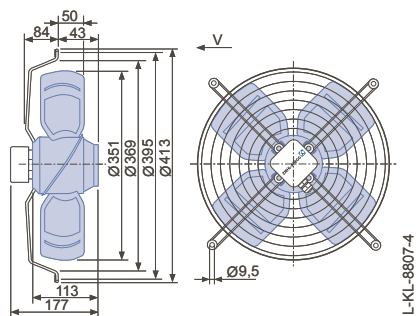


I) Measured in full bell mouth without guard grille in installation type A according to ISO 5801.
 II-x) Measured in short-bell mouth with compressed side contact protection.

- Connection diagram 1360-104XA Page 608
- System components Page 524

Dimensions [mm]

Airflow direction V
 Design K - axial bolted, mounted for short bell mouth E



Performance data


Type	Characteristic curve	Voltage	Operating point	Current	Motor input power	Speed	Suction side sound power level
		U [V]		I [A]	P ₁ [W]	n [min ⁻¹]	L _{WAS} [dB]
FB035-4E_2C.V4S	I	230*	②	0.92*	200*	1300*	
		230	③	0.80	175	1360	70
	II	230	⑤	0.84	185	1350	73
		230	⑥	0.81	175	1370	70
	III	160	⑧	0.80	120	1050	67
		160	⑨	0.76	115	1140	65
	IV	130	⑪	0.70	82	730	59
		130	⑫	0.69	81	800	57
	V	105	⑭	0.58	52	520	
		105	⑮	0.58	52	560	

*rated data

Fan ordering information

Airflow direction V



Design K



Type FB035-4EK.2C.V4S
Article no. 124153

Weight [kg] 4.80

Control technology

<p>Frequency inverter Fcontrol 1~</p>  <p>➤ Page 552</p>	<p>Motor protection units 1~</p>  <p>➤ Page 596</p>	<p>Transformer-based controllers 1~</p>  <p>➤ Page 587</p>	<p>Electronic voltage controllers 1~</p>  <p>➤ Page 562</p>
---	--	---	--

FB

for single phase alternating current, 6 pole

FBO35-6E



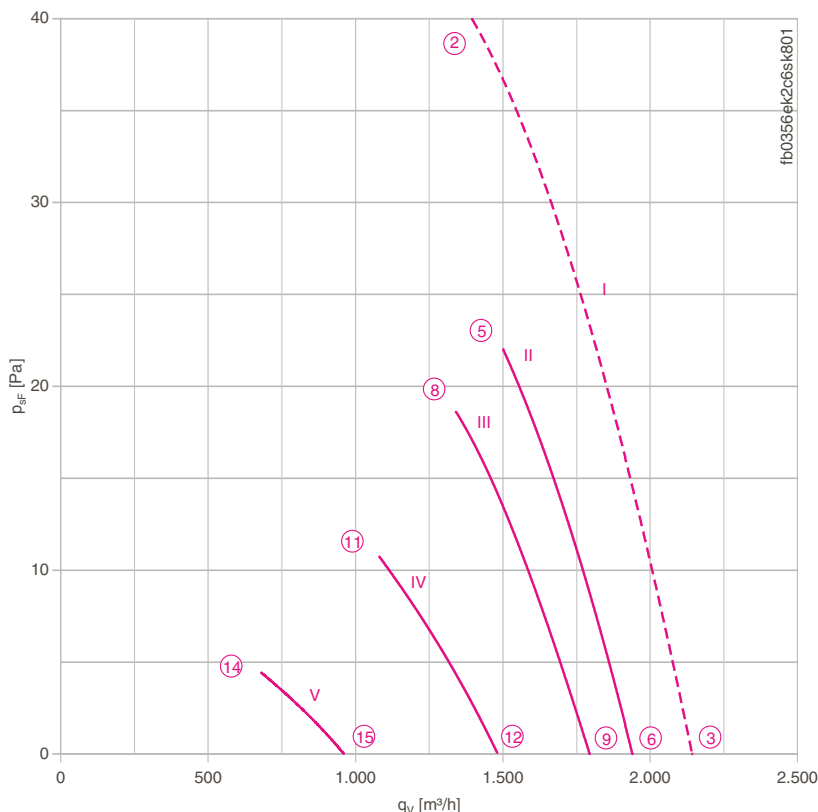
Description

Motor technology: AC
 Rated voltage U_N : 1~ 230 V±10 %*
 Rated frequency f_N : 50 Hz* (60Hz data available)
 Motor input power P_1 : 0.10 kW*
 Rated current I_N : 0.49 A*
 Rated speed n_N : 930 min⁻¹*
 Starting current I_A : 0.95 A
 Current increase ΔI : 0 %
 Service capacitor C_{400V} : 2.5 μ F
 Thermal class: **THCL155***
 Min. permitted conveyor temperature $t_{R(min)}$: -25 °C
 Max. permitted conveyor temperature $t_{R(max)}$: 70 °C
 Electrical connection: Terminal box
 Number of blades: 4
 Protection class: IP54
 Motor protection: Thermal contact
 Blades: Aluminium, uncoated
 Rotor: Aluminium, uncoated
 Conformity: CE

ErP Data

Is not subject to the ErP Guidelines ($P_1 < 125$ W)
 * Rated data

Characteristic curve

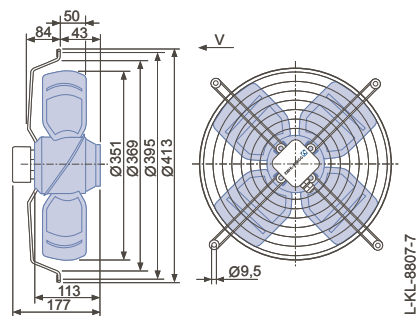


I) Measured in full bell mouth without guard grille in installation type A according to ISO 5801.
 II-x) Measured in short-bell mouth with compressed side contact protection.

- Connection diagram 1360-104XA Page 608
- System components Page 524

Dimensions [mm]

Airflow direction V
 Design K - axial bolted, mounted for short bell mouth E



Performance data


Type	Characteristic curve	Voltage	Operating point	Current	Motor input power	Speed	Suction side sound power level
		U [V]		I [A]	P ₁ [W]	n [min ⁻¹]	L _{WAS} [dB]
FB035-6E_2C.V4S	I	230*	②	0.49*	100*	930*	
		230	③	0.43	89	940	
	II	230	⑤	0.40	80	920	61
		230	⑥	0.39	78	940	61
	III	160	⑧	0.36	54	850	60
		160	⑨	0.34	51	870	59
	IV	130	⑪	0.39	45	660	55
		130	⑫	0.37	44	720	54
	V	105	⑭	0.35	32	440	
		105	⑮	0.34	31	460	

*rated data

Fan ordering information

Airflow direction V

Design K



Type FB035-6EK.2C.V4S
Article no. 124159

Weight [kg] 4.80

Control technology

<p>Frequency inverter Fcontrol 1~</p>  <p>➤ Page 552</p>	<p>Motor protection units 1~</p>  <p>➤ Page 596</p>	<p>Transformer-based controllers 1~</p>  <p>➤ Page 587</p>	<p>Electronic voltage controllers 1~</p>  <p>➤ Page 562</p>
---	--	---	---

FB

for three phase alternating current, 4-4 pole

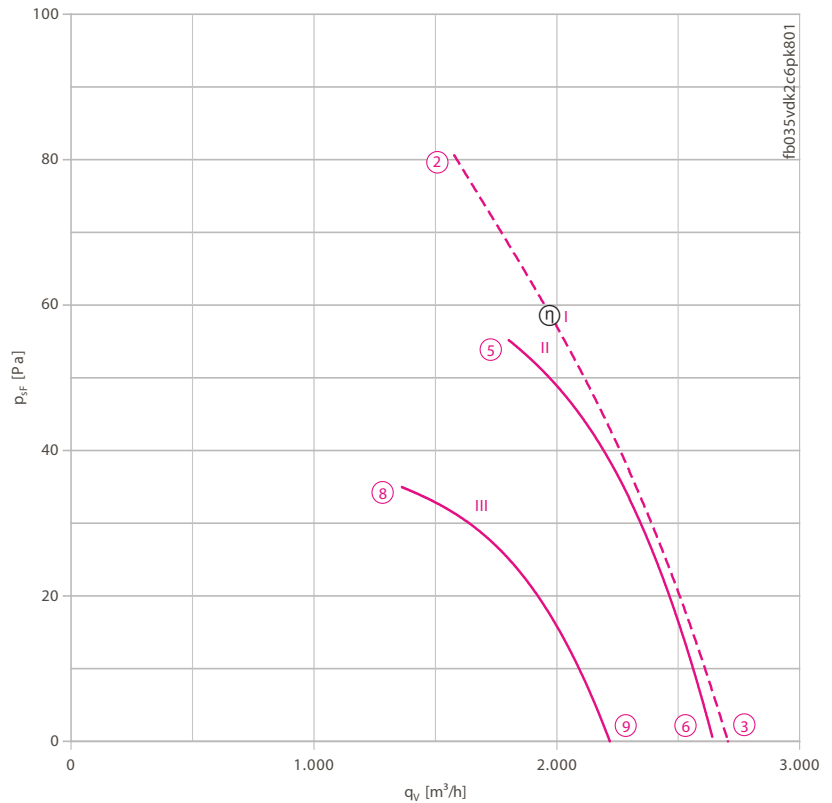
FBO35-VD



Description

Motor technology: AC
 Rated voltage U_N : 3- 400 V (Δ/Y) ± 10 %*
 Rated frequency f_N : 50 Hz* (60Hz data available)
 Motor input power P_1 : 0.14/0.09 kW*
 Rated current I_N : 0.25/0.14 A*
 Rated speed n_N : 1320/1050 min⁻¹*
 Starting current I_s : 0.80 A / 0.26 A
 Current increase ΔI : 5 %
 Thermal class: THCL155*
 Min. permitted conveyor temperature $t_{R(min)}$: -40 °C
 Max. permitted conveyor temperature $t_{R(max)}$: 70 °C
 Electrical connection: Terminal box
 Number of blades: 4
 Protection class: IP54
 Motor protection: Thermal contact
 Blades: Aluminium, uncoated
 Rotor: Aluminium, uncoated
 Conformity: ErP 2015, CE
ErP Data
 Efficiency η_{statA} : 29.9 %
 Efficiency: $N_{actual} = 41.9 / N_{target} = 40$ **
 * Rated data
 **ErP 2015

Characteristic curve



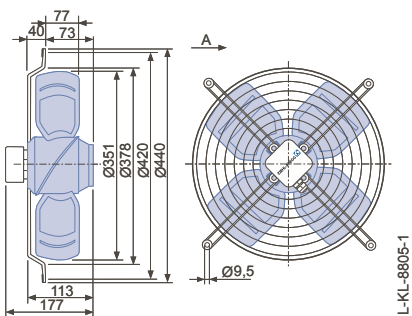
I) Measured in full bell mouth without guard grille in installation type A according to ISO 5801.
 II-x) Measured in short-bell mouth with compressed side contact protection.

- Connection diagrams Page 608
 - for airflow direction V 1360-108XA
 - for airflow direction A 1360-108XB
- System components Page 524

Dimensions [mm]

Airflow direction A

Design W - axial bolted, mounting for short bell mouth E





Performance data

Type	Connection	Characteristic curve	Voltage	Operating point	Current	Motor input power	Speed	Suction side sound power level L_{WA5} [dB]
			U [V]		I [A]	P_1 [W]	n [min ⁻¹]	
FB035-VD_2C_4P	Δ	I	400*	②	0.25*	140*	1320*	
			400	③	0.22	110	1360	68
			400	⑤	0.22	110	1360	73
	Y	III	400	⑥	0.21	97	1380	67
			400	⑧	0.14	91	1040	66
			400	⑨	0.12	74	1160	62

*rated data

Fan ordering information

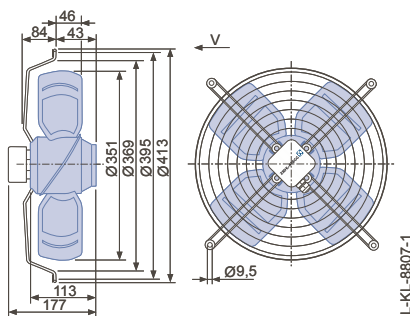
Airflow direction A		Airflow direction V	
Design	W		K
			
Type	FB035-VDW.2C.A4P		FB035-VDK.2C.V4P
Article no.	106939		124151
Weight [kg]	4.50		4.80

Control technology

<p>Frequency inverter Fcontrol 3~</p>  <p>Page 558</p>	<p>Motor protection units 3~</p>  <p>Page 596</p>	<p>Transformer-based controllers 3~</p>  <p>Page 591</p>	<p>Electronic voltage controllers 3~</p>  <p>Page 578</p>
--	---	--	---

Airflow direction V

Design K - axial bolted, mounted for short bell mouth E



FB

for three phase alternating current, 4-4 pole

FBO35-VD



Description

Motor technology: AC
 Rated voltage U_N : 3- 400 V (Δ/Y) ± 10 %*
 Rated frequency f_N : 50 Hz* (60Hz data available)
 Motor input power P_1 : 0.18/0.13 kW*
 Rated current I_N : 0.37/0.21 A*
 Rated speed n_N : 1320/1040 min⁻¹*
 Starting current I_A : 1.30 A / 0.42 A
 Current increase ΔI : 0 %
 Thermal class: THCL155*
 Min. permitted conveyor temperature $t_{R(min)}$: -40 °C
 Max. permitted conveyor temperature $t_{R(max)}$: 70 °C
 Electrical connection: Terminal box
 Number of blades: 4
 Protection class: IP54
 Motor protection: Thermal contact
 Blades: Aluminium, uncoated
 Rotor: Aluminium, uncoated
 Conformity: ErP 2015, CE

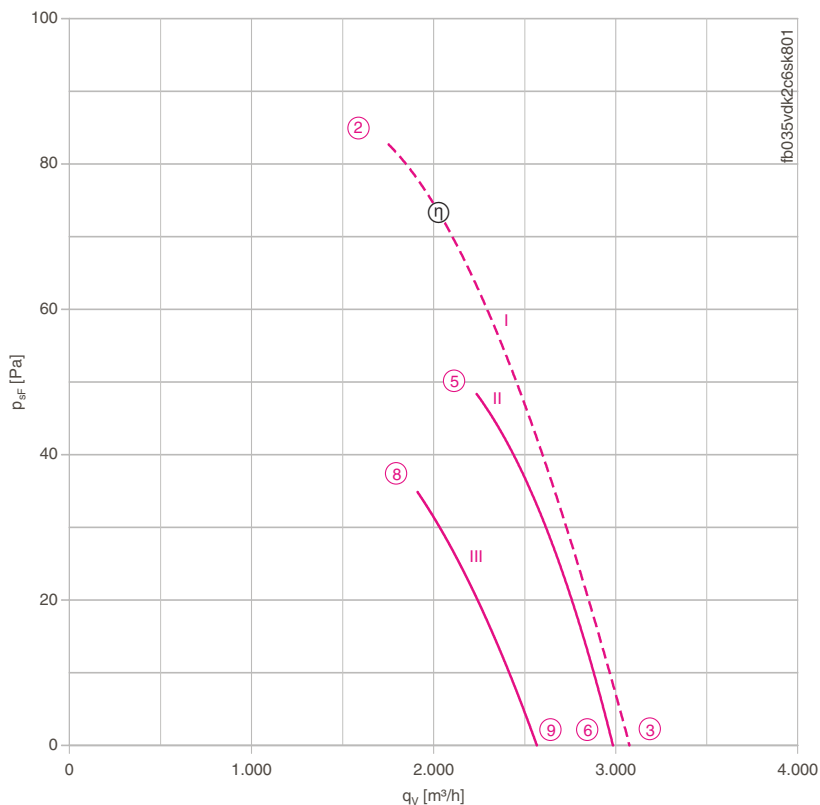
ErP Data

Efficiency η_{statA} : 26.9 %
 Efficiency: $N_{actual} = 40.2 / N_{target} = 40$ **
 Frequency inverter required

* Rated data

**ErP 2015

Characteristic curve

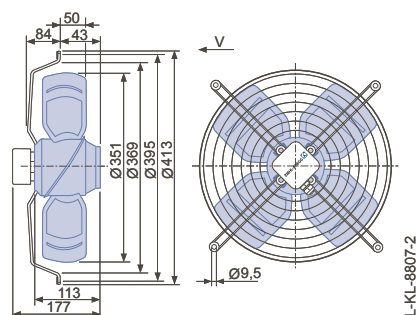


I) Measured in full bell mouth without guard grille in installation type A according to ISO 5801.
 II-x) Measured in short-bell mouth with compressed side contact protection.

- Connection diagram 1360-108XA Page 608
- System components Page 524

Dimensions [mm]

← Airflow direction V
 Design K - axial bolted, mounted for short bell mouth E



Performance data


Type	Connection	Characteristic curve	Voltage	Operating point	Current	Motor input power	Speed	Suction side sound power level L_{WA5} [dB]
			U [V]		I [A]	P_1 [W]	n [min ⁻¹]	
FB035-VD_2C.V4S	Δ	I	400*	②	0.37*	180*	1320*	
			400	③	0.34	150	1400	71
		II	400	⑤	0.37	170	1380	71
	Y	III	400	⑥	0.36	160	1390	71
			400	⑧	0.20	125	1180	66
		400	⑨	0.19	120	1200	67	

*rated data

Fan ordering information



Design K



Type FB035-VDK.2C.V4S
Article no. 124152
Weight [kg] 4.80

Control technology

<p>Frequency inverter Fcontrol 3~</p>  <p>➤ Page 558</p>	<p>Motor protection units 3~</p>  <p>➤ Page 596</p>	<p>Transformer-based controllers 3~</p>  <p>➤ Page 591</p>	<p>Electronic voltage controllers 3~</p>  <p>➤ Page 578</p>
--	---	--	---

FB

for three phase alternating current, 6-6 pole

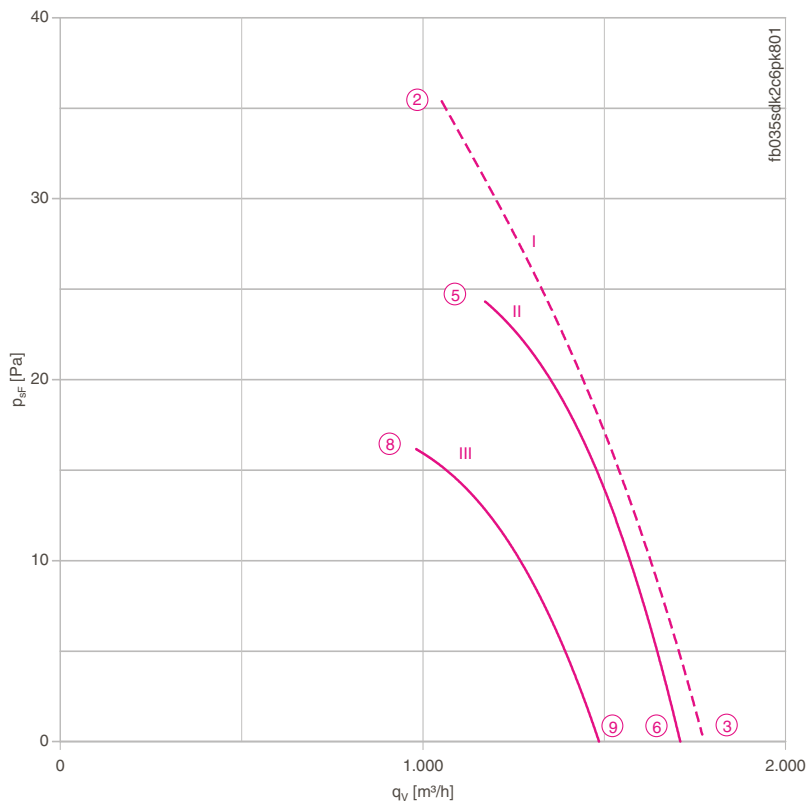
FBO35-SD



Description

Motor technology: AC
 Rated voltage U_N : 3- 400 V (Δ/Y) ± 10 %*
 Rated frequency f_N : 50 Hz* (60Hz data available)
 Motor input power P_1 : 0.05/0.03 kW*
 Rated current I_N : 0.10/0.05 A*
 Rated speed n_N : 860/ 670 min⁻¹*
 Starting current I_A : 0.27 A / 0.09 A
 Current increase ΔI : 0 %
 Thermal class: THCL155*
 Min. permitted conveyor temperature $t_{R(min)}$: -40 °C
 Max. permitted conveyor temperature $t_{R(max)}$: 70 °C
 Electrical connection: Terminal box
 Number of blades: 4
 Protection class: IP54
 Motor protection: Thermal contact
 Blades: Aluminium, uncoated
 Rotor: Aluminium, uncoated
 Conformity: CE
ErP Data
 Is not subject to the ErP Guidelines ($P_1 < 125$ W)
 * Rated data

Characteristic curve



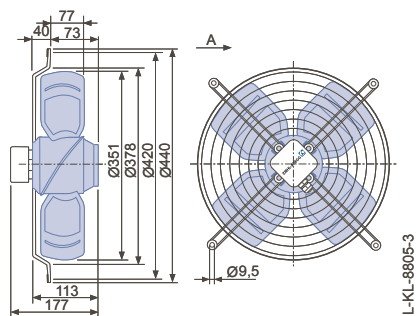
I) Measured in full bell mouth without guard grille in installation type A according to ISO 5801.
 II-x) Measured in short-bell mouth with compressed side contact protection.

- Connection diagrams Page 608
 - for airflow direction V 1360-108XA
 - for airflow direction A 1360-108XB
- System components Page 524

Dimensions [mm]

Airflow direction A

Design W - axial bolted, mounting for short bell mouth E





Performance data

Type	Connection	Characteristic curve	Voltage	Operating point	Current	Motor input power	Speed	Suction side sound power level
			U [V]					
FB035-SD_2C_4P	Δ	I	400*	②	0.10*	50*	860*	
			400	③	0.09	38	920	59
		II	400	⑤	0.10	38	890	60
	Y	III	400	⑥	0.09	34	910	58
			400	⑧	0.06	28	790	57
		400	⑨	0.05	26	760	54	

*rated data

Fan ordering information

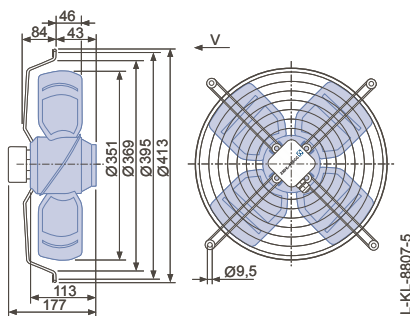
Airflow direction A		Airflow direction V	
Design	W		K
			
Type	FB035-SDW.2C.A4P		FB035-SDK.2C.V4P
Article no.	107068		124157
Weight [kg]	4.50		4.80

Control technology

<p>Frequency inverter Fcontrol 3~</p>  <p>Page 558</p>	<p>Motor protection units 3~</p>  <p>Page 596</p>	<p>Transformer-based controllers 3~</p>  <p>Page 591</p>	<p>Electronic voltage controllers 3~</p>  <p>Page 578</p>
--	---	--	---

Airflow direction V

Design K - axial bolted, mounted for short bell mouth E



FB

for three phase alternating current, 6-6 pole

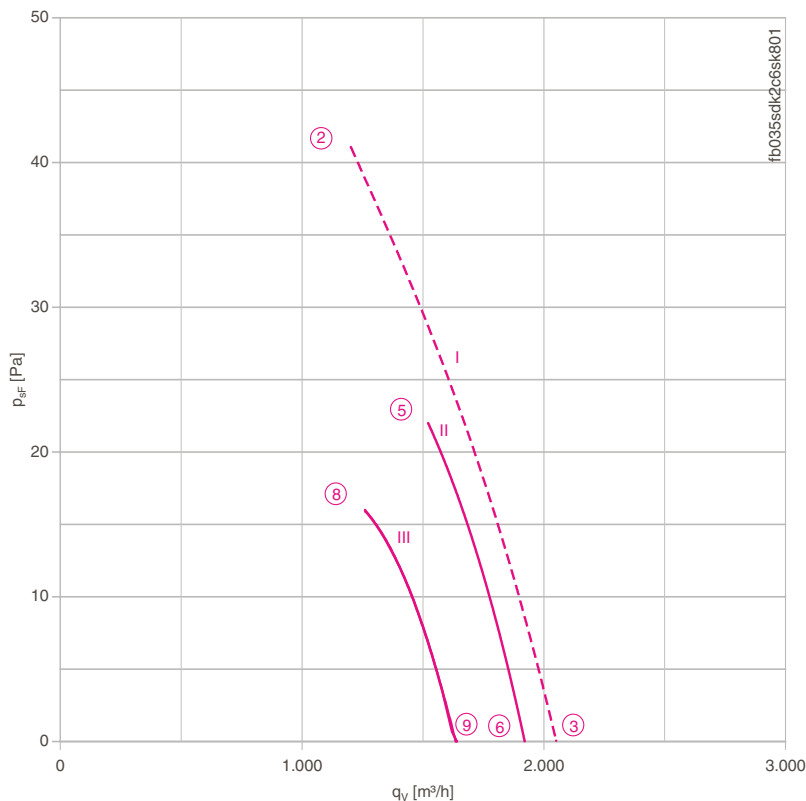
FBO35-SD



Description

Motor technology: AC
 Rated voltage U_N : 3- 400 V (Δ/Y) ± 10 %*
 Rated frequency f_N : 50 Hz* (60Hz data available)
 Motor input power P_1 : 0.07/0.04 kW*
 Rated current I_N : 0.17/0.08 A*
 Rated speed n_N : 880/ 700 min⁻¹*
 Starting current I_A : 0.42 A / 0.14 A
 Current increase ΔI : 0 %
 Thermal class: THCL155*
 Min. permitted conveyor temperature $t_{R(min)}$: -40 °C
 Max. permitted conveyor temperature $t_{R(max)}$: 70 °C
 Electrical connection: Terminal box
 Number of blades: 4
 Protection class: IP54
 Motor protection: Thermal contact
 Blades: Aluminium, uncoated
 Rotor: Aluminium, uncoated
 Conformity: CE
ErP Data
 Is not subject to the ErP Guidelines ($P_1 < 125$ W)
 * Rated data

Characteristic curve

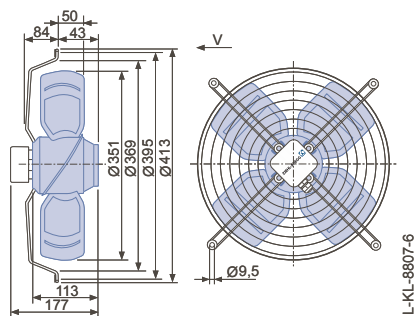


I) Measured in full bell mouth without guard grille in installation type A according to ISO 5801.
 II-x) Measured in short-bell mouth with compressed side contact protection.

- Connection diagram 1360-108XA Page 608
- System components Page 524

Dimensions [mm]

← Airflow direction V
 Design K - axial bolted, mounted for short bell mouth E



Performance data


Type	Connection	Characteristic curve	Voltage	Operating point	Current	Motor input power	Speed	Suction side sound power level
			U [V]					
FB035-SD_2C.V4S	Δ	I	400*	②	0.17*	70*	880*	
			400	③	0.16	57	920	61
			400	⑤	0.16	58	920	64
	Y	III	400	⑥	0.15	54	930	60
			400	⑧	0.08	39	760	60
			400	⑨	0.07	37	790	57

*rated data

Fan ordering information

← Airflow direction V

Design K



Type FB035-SDK.2C.V4S
Article no. 210514
Weight [kg] 4.80

Control technology

<p>Frequency inverter Fcontrol 3~</p>  <p>➤ Page 558</p>	<p>Motor protection units 3~</p>  <p>➤ Page 596</p>	<p>Transformer-based controllers 3~</p>  <p>➤ Page 591</p>	<p>Electronic voltage controllers 3~</p>  <p>➤ Page 578</p>
--	---	--	---

FB

for single phase alternating current, 4 pole

FBO40-4E



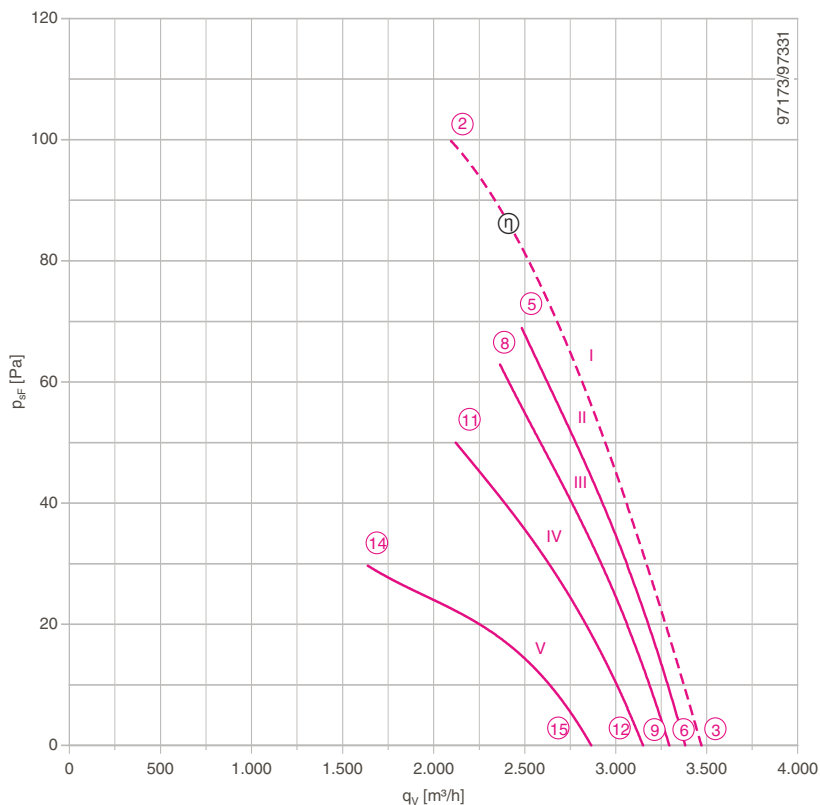
Description

Motor technology: AC
 Rated voltage U_N : 1~ 230 V±10 %*
 Rated frequency f_N : 50 Hz* (60Hz data available)
 Motor input power P_1 : 0.20 kW*
 Rated current I_N : 0.94 A*
 Rated speed n_N : 1410 min⁻¹*
 Current increase ΔI : 0 %
 Service capacitor C_{400V} : 4.0 µF
 Thermal class: THCL155*
 Min. permitted conveyor temperature $t_{R(min)}$: -25 °C
 Max. permitted conveyor temperature $t_{R(max)}$: 70 °C
 Electrical connection: Terminal box
 Number of blades: 4
 Protection class: IP54
 Motor protection: Thermal contact
 Blades: Aluminium, uncoated
 Rotor: Aluminium, uncoated
 Conformity: ErP 2015, CE

ErP Data

Efficiency η_{statA} : 30.4 %
 Efficiency: $N_{actual} = 41.2 / N_{target} = 40$ **
 * Rated data
 **ErP 2015

Characteristic curve

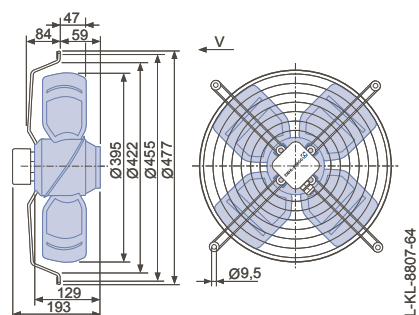


I) Measured in full bell mouth without guard grille in installation type A according to ISO 5801.
 II-x) Measured in short-bell mouth with compressed side contact protection.

- Connection diagram 1360-104XA Page 608
- System components Page 524

Dimensions [mm]

← Airflow direction V
 Design K - axial bolted, mounted for short bell mouth E



Performance data


Type	Characteristic curve	Voltage	Operating point	Current	Motor input power	Speed	Suction side sound power level
		U [V]		I [A]	P ₁ [W]	n [min ⁻¹]	
FB040-4E_2F_4L	I	230*	②	0.94*	200*	1410*	77
		230	③	0.74	150	1450	71
	II	230	⑤	0.90	190	1420	69
		230	⑥	0.76	160	1450	68
	III	170	⑧	0.94	160	1350	67
		170	⑨	0.70	120	1410	67
	IV	135	⑪	1.10	140	1210	65
		135	⑫	0.76	100	1340	66
	V	110	⑭	1.20	130	930	60
		110	⑮	0.88	95	1220	64

*rated data

Fan ordering information

Airflow direction V



Design K



Type FB040-4EK.2F.V4L
Article no. 160119

Weight [kg] 6.40

Control technology

<p>Frequency inverter Fcontrol 1~</p>  <p>➤ Page 552</p>	<p>Motor protection units 1~</p>  <p>➤ Page 596</p>	<p>Transformer-based controllers 1~</p>  <p>➤ Page 587</p>	<p>Electronic voltage controllers 1~</p>  <p>➤ Page 562</p>
---	--	---	--

FB

for single phase alternating current, 4 pole

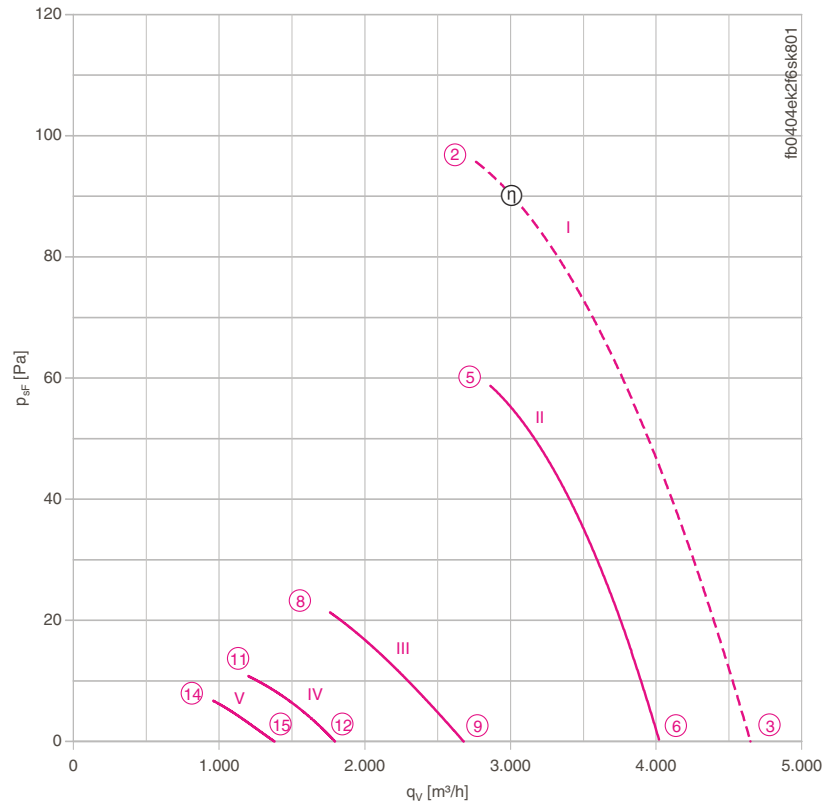
FBO40-4E



Description

Motor technology: AC
 Rated voltage U_N : 1~ 230 V \pm 10 %*
 Rated frequency f_N : 50 Hz*
 Motor input power P_1 : 0.32 kW*
 Rated current I_N : 1.50 A*
 Rated speed n_N : 1270 min⁻¹*
 Starting current I_s : 2.60 A
 Current increase ΔI : 0 %
 Service capacitor C_{400V} : 5.0 μ F
 Thermal class: **THCL155***
 Min. permitted conveyor temperature $t_{R(min)}$: -25 °C
 Max. permitted conveyor temperature $t_{R(max)}$: 40 °C
 Electrical connection: Terminal box
 Number of blades: 4
 Protection class: IP54
 Motor protection: Thermal contact
 Blades: Aluminium, uncoated
 Rotor: Aluminium, uncoated
 * Rated data

Characteristic curve



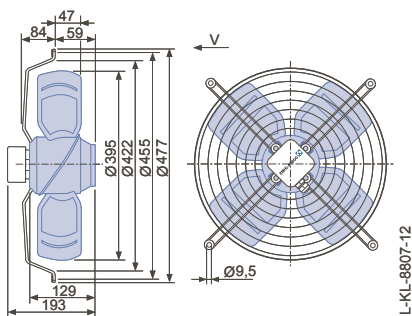
I) Measured in full bell mouth without guard grille in installation type A according to ISO 5801.
 II-x) Measured in short-bell mouth with compressed side contact protection.

- Connection diagram 1360-104XA Page 608
- System components Page 524

Dimensions [mm]



Design K - axial bolted, mounted for short bell mouth E



Performance data


Type	Characteristic curve	Voltage	Operating point	Current	Motor input power	Speed	Suction side sound power level L_{WA5} [dB]	Max. permitted media temperature t_R [°C]
		U [V]		I [A]	P_1 [W]	n [min ⁻¹]		
FB040-4E_2F.V4S	I	230*	②	1.50*	320*	1270*		40
		230	③	1.25	250	1360	73	
	II	230	⑤	1.35	280	1320	73	50
		230	⑥	1.25	250	1350	72	
	III	160	⑧	1.40	190	800	61	
		160	⑨	1.35	175	900	63	
	IV	130	⑪	1.15	120	570	53	
		130	⑫	1.10	115	620	54	
	V	105	⑭	0.91	75	430		
		105	⑮	0.90	74	460		

*rated data

Fan ordering information

Airflow direction V

Design K





Type **FB040-4EK.2F.V4S**

Article no. **124163**

Weight [kg] 6.40

Control technology

<p>Frequency inverter Fcontrol 1~</p>  <p>Page 552</p>	<p>Motor protection units 1~</p>  <p>Page 596</p>	<p>Transformer-based controllers 1~</p>  <p>Page 587</p>	<p>Electronic voltage controllers 1~</p>  <p>Page 562</p>
---	--	---	---

FB

for single phase alternating current, 6 pole

FBO40-6E



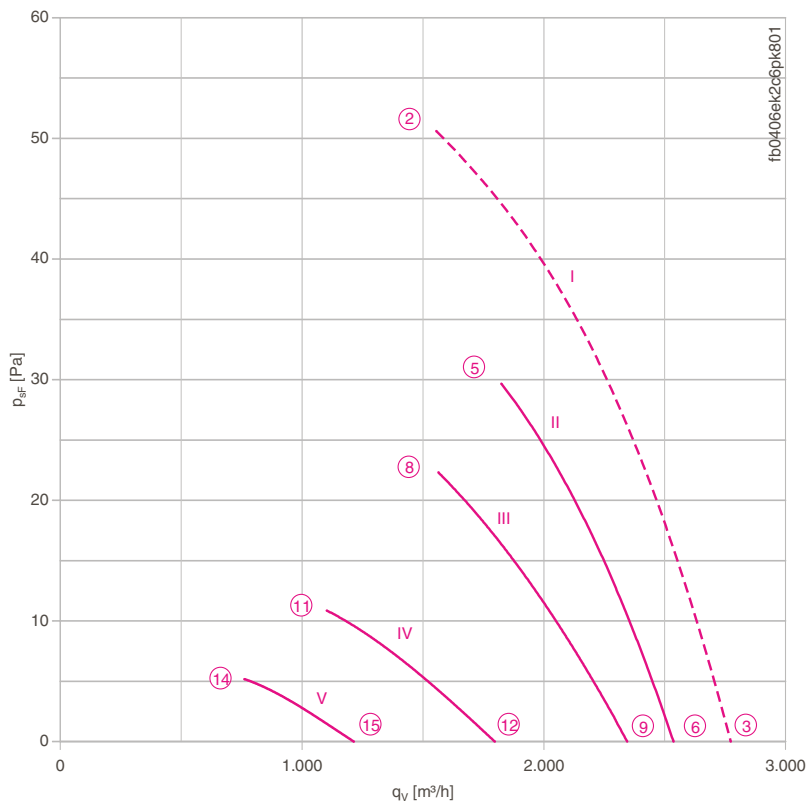
Description

Motor technology: AC
 Rated voltage U_N : 1~ 230 V±10 %*
 Rated frequency f_N : 50 Hz* (60Hz data available)
 Motor input power P_1 : 0.11 kW*
 Rated current I_N : 0.50 A*
 Rated speed n_N : 900 min⁻¹*
 Starting current I_s : 0.95 A
 Current increase ΔI : 0 %
 Service capacitor C_{400V} : 3.0 μ F
 Thermal class: **THCL155***
 Min. permitted conveyor temperature $t_{R(min)}$: -25 °C
 Max. permitted conveyor temperature $t_{R(max)}$: 70 °C
 Electrical connection: Terminal box
 Number of blades: 4
 Protection class: IP54
 Motor protection: Thermal contact
 Blades: Aluminium, uncoated
 Rotor: Aluminium, uncoated
 Conformity: CE

ErP Data

Is not subject to the ErP Guidelines ($P_1 < 125$ W)
 * Rated data

Characteristic curve

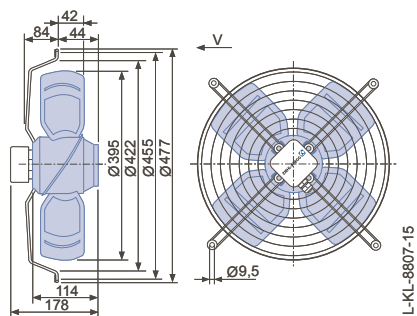


I) Measured in full bell mouth without guard grille in installation type A according to ISO 5801.
 II-x) Measured in short-bell mouth with compressed side contact protection.

- Connection diagram 1360-104XA Page 608
- System components Page 524

Dimensions [mm]

← Airflow direction V
 Design K - axial bolted, mounted for short bell mouth E



Performance data


Type	Characteristic curve	Voltage	Operating point	Current	Motor input power	Speed	Suction side sound power level
		U [V]		I [A]	P ₁ [W]	n [min ⁻¹]	L _{WAS} [dB]
FB040-6E_2C.V4P	I	230*	②	0.50*	110*	900*	
		230	③	0.42	90	930	64
	II	230	⑤	0.44	100	920	65
		230	⑥	0.42	90	930	61
	III	160	⑧	0.42	65	810	62
		160	⑨	0.38	59	860	61
	IV	130	⑪	0.43	51	560	
		130	⑫	0.40	49	670	
	V	105	⑭	0.37	35	390	
		105	⑮	0.36	34	450	

*rated data

Fan ordering information

Airflow direction V


Design K



Type **FB040-6EK.2C.V4P**
Article no. **124164**

Weight [kg] 5.50

Control technology

<p>Frequency inverter Fcontrol 1~</p>  <p>➤ Page 552</p>	<p>Motor protection units 1~</p>  <p>➤ Page 596</p>	<p>Transformer-based controllers 1~</p>  <p>➤ Page 587</p>	<p>Electronic voltage controllers 1~</p>  <p>➤ Page 562</p>
---	--	---	--

FB

for single phase alternating current, 6 pole

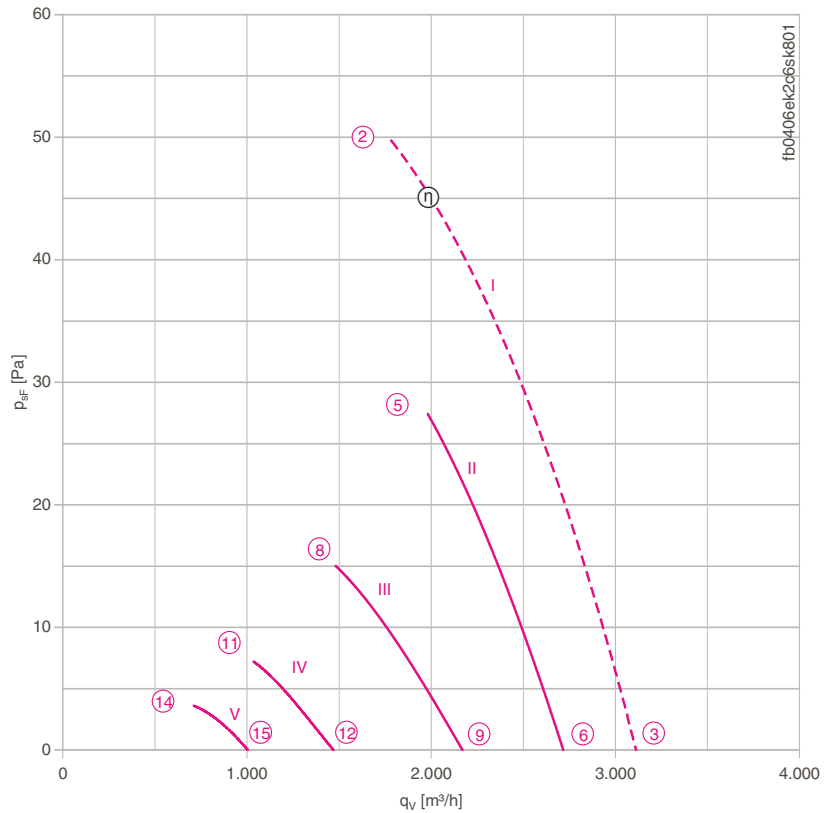
FBO40-6E



Description

Motor technology: AC
 Rated voltage U_N : 1~ 230 V±10 %*
 Rated frequency f_N : 50 Hz* (60Hz data available)
 Motor input power P_1 : 0.13 kW*
 Rated current I_N : 0.60 A*
 Rated speed n_N : 890 min⁻¹*
 Starting current I_s : 0.95 A
 Current increase ΔI : 0 %
 Service capacitor C_{400V} : 3.0 μ F
 Thermal class: **THCL155***
 Min. permitted conveyor temperature $t_{R(min)}$: -25 °C
 Max. permitted conveyor temperature $t_{R(max)}$: 70 °C
 Electrical connection: Terminal box
 Number of blades: 4
 Protection class: IP54
 Motor protection: Thermal contact
 Blades: Aluminium, uncoated
 Rotor: Aluminium, uncoated
 * Rated data

Characteristic curve



I) Measured in full bell mouth without guard grille in installation type A according to ISO 5801.
 II-x) Measured in short-bell mouth with compressed side contact protection.

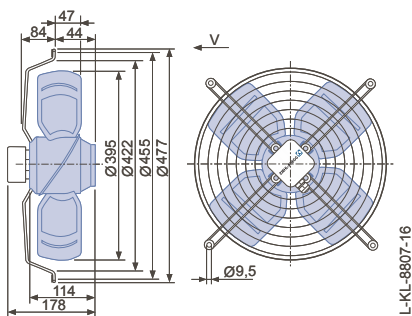
➤ Connection diagram 1360-104XA Page 608

➤ System components Page 524

Dimensions [mm]

Airflow direction V

Design K - axial bolted, mounted for short bell mouth E



Performance data


Type	Characteristic curve	Voltage	Operating point	Current	Motor input power	Speed	Suction side sound power level
		U [V]		I [A]	P ₁ [W]	n [min ⁻¹]	L _{WAS} [dB]
FB040-6E_2C.V4S	I	230*	②	0.60*	130*	890*	
		230	③	0.53	115	920	65
	II	230	⑤	0.48	110	900	63
		230	⑥	0.46	100	910	63
	III	160	⑧	0.48	72	690	56
		160	⑨	0.46	69	730	57
	IV	130	⑪	0.43	53	420	50
		130	⑫	0.42	50	500	51
	V	105	⑭	0.35	33	340	
		105	⑮	0.35	33	360	

*rated data

Fan ordering information

Airflow direction V



Design K



Type **FB040-6EK.2C.V4S**
Article no. **124165**

Weight [kg] 5.50

Control technology

<p>Frequency inverter Fcontrol 1~</p>  <p>➤ Page 552</p>	<p>Motor protection units 1~</p>  <p>➤ Page 596</p>	<p>Transformer-based controllers 1~</p>  <p>➤ Page 587</p>	<p>Electronic voltage controllers 1~</p>  <p>➤ Page 562</p>
---	--	---	--

FB

for three phase alternating current, 4-4 pole

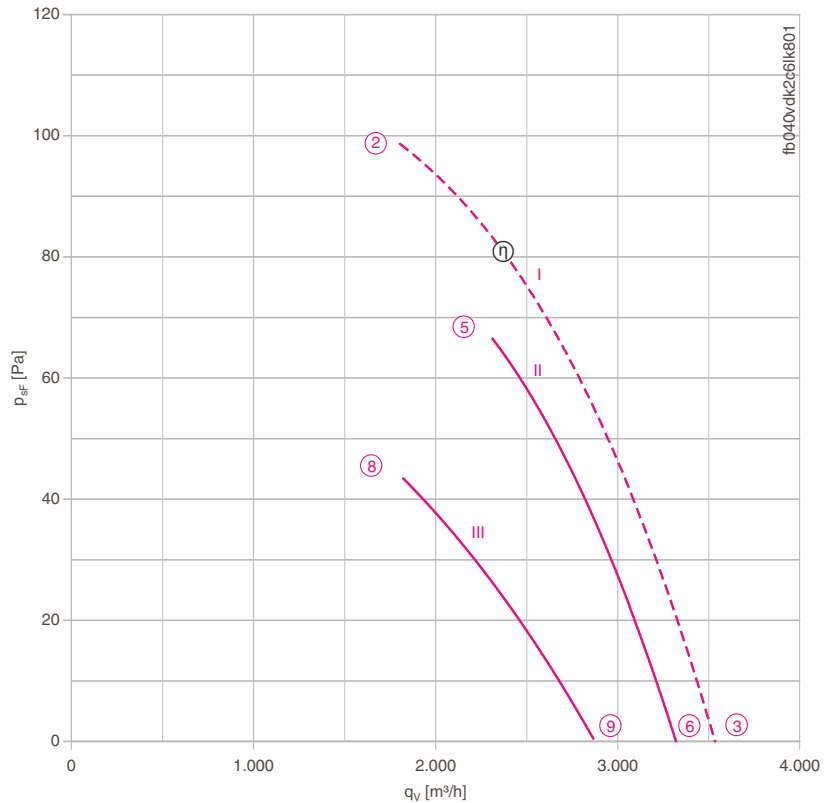
FBO40-VD



Description

Motor technology: AC
 Rated voltage U_N : 3- 400 V (Δ/Y) ± 10 %*
 Rated frequency f_N : 50 Hz* (60Hz data available)
 Motor input power P_1 : 0.18/0.12 kW*
 Rated current I_N : 0.35/0.19 A*
 Rated speed n_N : 1300/1000 min⁻¹*
 Starting current I_A : 1.00 A / 0.34 A
 Current increase ΔI : 5 %
 Thermal class: **THCL155***
 Min. permitted conveyor temperature $t_{R(min)}$: -40 °C
 Max. permitted conveyor temperature $t_{R(max)}$: 70 °C
 Electrical connection: Terminal box
 Number of blades: 4
 Protection class: IP54
 Motor protection: Thermal contact
 Blades: Aluminium, uncoated
 Rotor: Aluminium, uncoated
 Conformity: ErP 2015, CE
ErP Data
 Efficiency η_{statA} : 33.8 %
 Efficiency: $N_{actual} = 45.2 / N_{target} = 40$ **
 * Rated data
 **ErP 2015

Characteristic curve

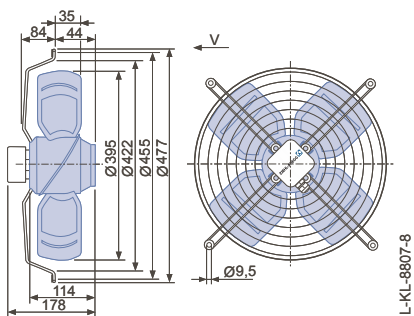


I) Measured in full bell mouth without guard grille in installation type A according to ISO 5801.
 II-x) Measured in short-bell mouth with compressed side contact protection.

- Connection diagram 1360-108XA Page 608
- System components Page 524

Dimensions [mm]

Airflow direction V
 Design K - axial bolted, mounted for short bell mouth E



Performance data


Type	Connection	Characteristic curve	Voltage	Operating point	Current	Motor input power	Speed	Suction side sound power level L_{WA5} [dB]
			U [V]		I [A]	P_1 [W]	n [min ⁻¹]	
FB040-VD_2C.V4L	Δ	I	400*	②	0.35*	180*	1300*	
			400	③	0.28	120	1390	72
		II	400	⑤	0.29	150	1350	77
	Y	III	400	⑥	0.26	115	1400	68
			400	⑧	0.18	110	1070	70
		400	⑨	0.14	88	1190	64	

*rated data

Fan ordering information

← Airflow direction V

Design K



Type FB040-VDK.2C.V4L
Article no. 124154
Weight [kg] 5.50

Control technology

<p>Frequency inverter Fcontrol 3~</p>  <p>➤ Page 558</p>	<p>Motor protection units 3~</p>  <p>➤ Page 596</p>	<p>Transformer-based controllers 3~</p>  <p>➤ Page 591</p>	<p>Electronic voltage controllers 3~</p>  <p>➤ Page 578</p>
--	---	--	---

FB

for three phase alternating current, 4-4 pole

FBO40-VD



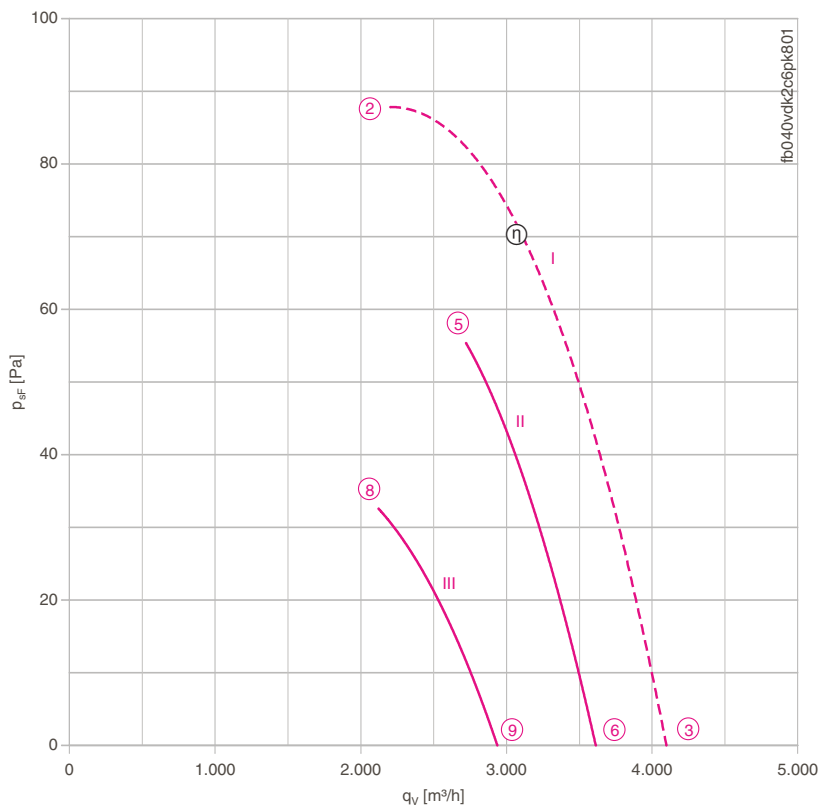
Description

Motor technology: AC
 Rated voltage U_N : 3- 400 V (Δ/Y) ± 10 %*
 Rated frequency f_N : 50 Hz* (60Hz data available)
 Motor input power P_1 : 0.24/0.16 kW*
 Rated current I_N : 0.45/0.26 A*
 Rated speed n_N : 1340/1020 min⁻¹*
 Starting current I_s : 1.30 A / 0.42 A
 Current increase ΔI : 0 %
 Thermal class: THCL155*
 Min. permitted conveyor temperature $t_{R(min)}$: -40 °C
 Max. permitted conveyor temperature $t_{R(max)}$: 70 °C
 Electrical connection: Terminal box
 Number of blades: 4
 Protection class: IP54
 Motor protection: Thermal contact
 Blades: Aluminium, uncoated
 Rotor: Aluminium, uncoated
 Conformity: ErP 2015, CE

ErP Data

Efficiency η_{statA} : 29.9 %
 Efficiency: $N_{actual} = 40.5 / N_{target} = 40$ **
 * Rated data
 **ErP 2015

Characteristic curve

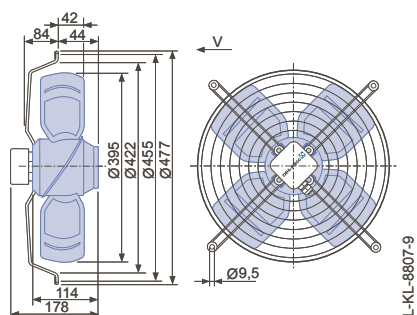


I) Measured in full bell mouth without guard grille in installation type A according to ISO 5801.
 II-x) Measured in short-bell mouth with compressed side contact protection.

- Connection diagram 1360-108XA Page 608
- System components Page 524

Dimensions [mm]

Airflow direction V
 Design K - axial bolted, mounted for short bell mouth E



Performance data


Type	Connection	Characteristic curve	Voltage	Operating point	Current	Motor input power	Speed	Suction side sound power level L_{WA5} [dB]
			U [V]		I [A]	P_1 [W]	n [min ⁻¹]	
FB040-VD_2C.V4P	Δ	I	400*	②	0.45*	240*	1340*	
			400	③	0.39	165	1410	73
		II	400	⑤	0.33	175	1330	74
	Y	III	400	⑥	0.31	155	1360	70
			400	⑧	0.21	135	980	66
		400	⑨	0.18	110	1100	65	

*rated data

Fan ordering information

← Airflow direction V

Design K



Type FB040-VDK.2C.V4P
Article no. 124155
Weight [kg] 5.50

Control technology

<p>Frequency inverter Fcontrol 3~</p>  <p>➤ Page 558</p>	<p>Motor protection units 3~</p>  <p>➤ Page 596</p>	<p>Transformer-based controllers 3~</p>  <p>➤ Page 591</p>	<p>Electronic voltage controllers 3~</p>  <p>➤ Page 578</p>
--	---	--	---

FB

for three phase alternating current, 4-4 pole

FBO40-VD



Description

Motor technology: AC
 Rated voltage U_N : 3- 400 V (Δ/Y) ± 10 %*
 Rated frequency f_N : 50 Hz*
 Motor input power P_1 : 0.32/0.23 kW*
 Rated current I_N : 0.66/0.38 A*
 Rated speed n_N : 1350/1050 min⁻¹*
 Starting current I_s : 2.00 A / 0.65 A
 Current increase ΔI : 5 %
 Thermal class: **THCL155***
 Min. permitted conveyor temperature $t_{R(min)}$: -40 °C
 Max. permitted conveyor temperature $t_{R(max)}$: 70 °C
 Electrical connection: Terminal box
 Number of blades: 4
 Protection class: IP54
 Motor protection: Thermal contact
 Blades: Aluminium, uncoated
 Rotor: Aluminium, uncoated
 Conformity: ErP 2015, CE

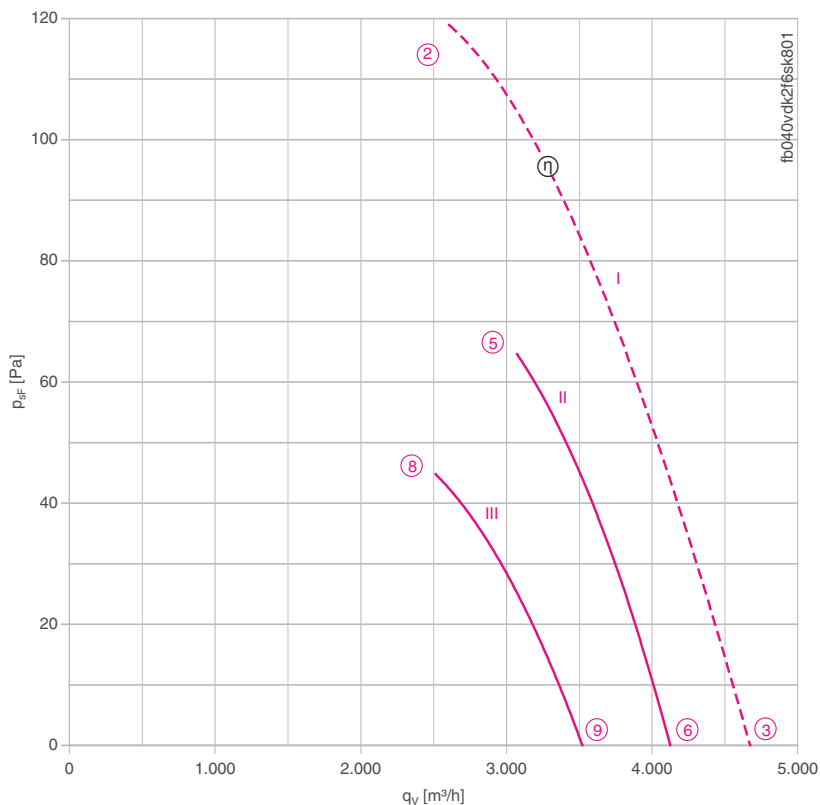
ErP Data

Efficiency η_{statA} : 28.8 %
 Efficiency: $N_{actual} = 40.6 / N_{target} = 40$ **
 Frequency inverter required

* Rated data

**ErP 2015

Characteristic curve



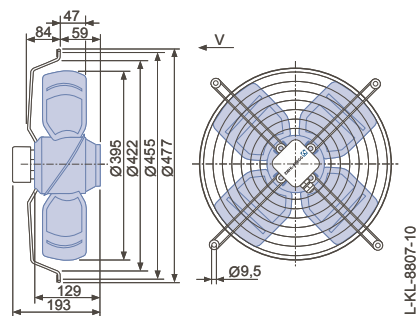
I) Measured in full bell mouth without guard grille in installation type A according to ISO 5801.
 II-x) Measured in short-bell mouth with compressed side contact protection.

- Connection diagram 1360-108XA Page 608
- System components Page 524

Dimensions [mm]



Design K - axial bolted, mounted for short bell mouth E



Performance data


Type	Connection	Characteristic curve	Voltage	Operating point	Current	Motor input power	Speed	Suction side sound power level L_{WA5} [dB]
			U [V]		I [A]	P_1 [W]	n [min ⁻¹]	
FB040-VD_2F.V4S	Δ	I	400*	②	0.63*	320*	1350*	
			400	③	0.55	240	1400	74
		II	400	⑤	0.50	250	1370	76
	Y	III	400	⑥	0.47	220	1390	74
			400	⑧	0.30	190	1150	69
		400	⑨	0.28	170	1190	70	

*rated data

Fan ordering information



Design K



Type FB040-VDK.2F.V4S
Article no. 124156
Weight [kg] 6.40

Control technology

<p>Frequency inverter Fcontrol 3~</p>  <p>➤ Page 558</p>	<p>Motor protection units 3~</p>  <p>➤ Page 596</p>	<p>Transformer-based controllers 3~</p>  <p>➤ Page 591</p>	<p>Electronic voltage controllers 3~</p>  <p>➤ Page 578</p>
--	---	--	---

FB

for three phase alternating current, 6-6 pole

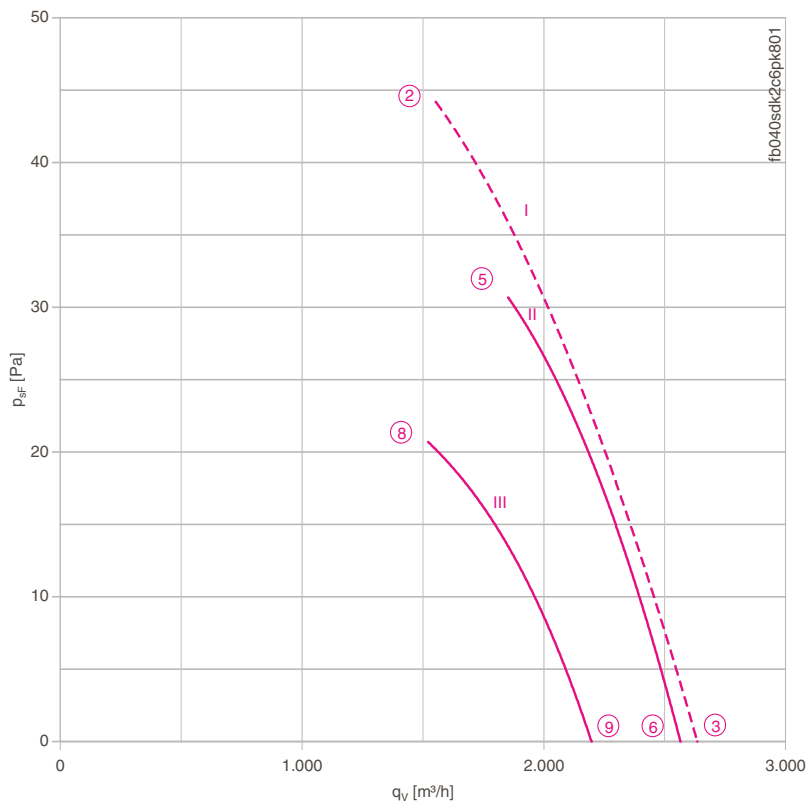
FBO40-SD



Description

Motor technology: AC
 Rated voltage U_N : 3- 400 V (Δ/Y) ± 10 %*
 Rated frequency f_N : 50 Hz* (60Hz data available)
 Motor input power P_1 : 0.09/0.06 kW*
 Rated current I_N : 0.23/0.11 A*
 Rated speed n_N : 900/ 730 min⁻¹*
 Starting current I_s : 0.51 A / 0.17 A
 Current increase ΔI : 0 %
 Thermal class: THCL155*
 Min. permitted conveyor temperature $t_{R(min)}$: -40 °C
 Max. permitted conveyor temperature $t_{R(max)}$: 70 °C
 Electrical connection: Terminal box
 Number of blades: 4
 Protection class: IP54
 Motor protection: Thermal contact
 Blades: Aluminium, uncoated
 Rotor: Aluminium, uncoated
 Conformity: CE
ErP Data
 Is not subject to the ErP Guidelines ($P_1 < 125$ W)
 * Rated data

Characteristic curve

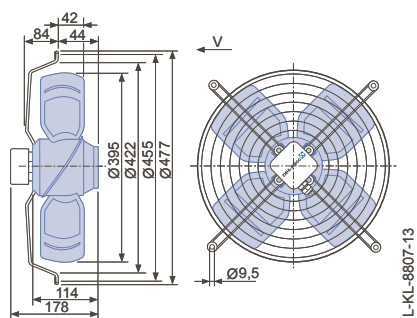


I) Measured in full bell mouth without guard grille in installation type A according to ISO 5801.
 II-x) Measured in short-bell mouth with compressed side contact protection.

- Connection diagram 1360-108XA Page 608
- System components Page 524

Dimensions [mm]

← Airflow direction V
 Design K - axial bolted, mounted for short bell mouth E



Performance data

Type	Connection	Characteristic curve	Voltage	Operating point	Current	Motor input power	Speed	Suction side sound power level
			U [V]					
FB040-SD_2C.V4P	Δ	I	400*	②	0.23*	90*	900*	
			400	③	0.21	70	920	64
			400	⑤	0.21	80	920	62
	Y	III	400	⑥	0.20	70	930	62
			400	⑧	0.11	54	770	57
			400	⑨	0.09	48	820	58

*rated data

Fan ordering information

← Airflow direction V

Design K



Type FB040-SDK.2C.V4P
Article no. 124160
Weight [kg] 5.50

Control technology

<p>Frequency inverter Fcontrol 3~</p>  <p>➤ Page 558</p>	<p>Motor protection units 3~</p>  <p>➤ Page 596</p>	<p>Transformer-based controllers 3~</p>  <p>➤ Page 591</p>	<p>Electronic voltage controllers 3~</p>  <p>➤ Page 578</p>
--	---	--	---

FB

for three phase alternating current, 6-6 pole

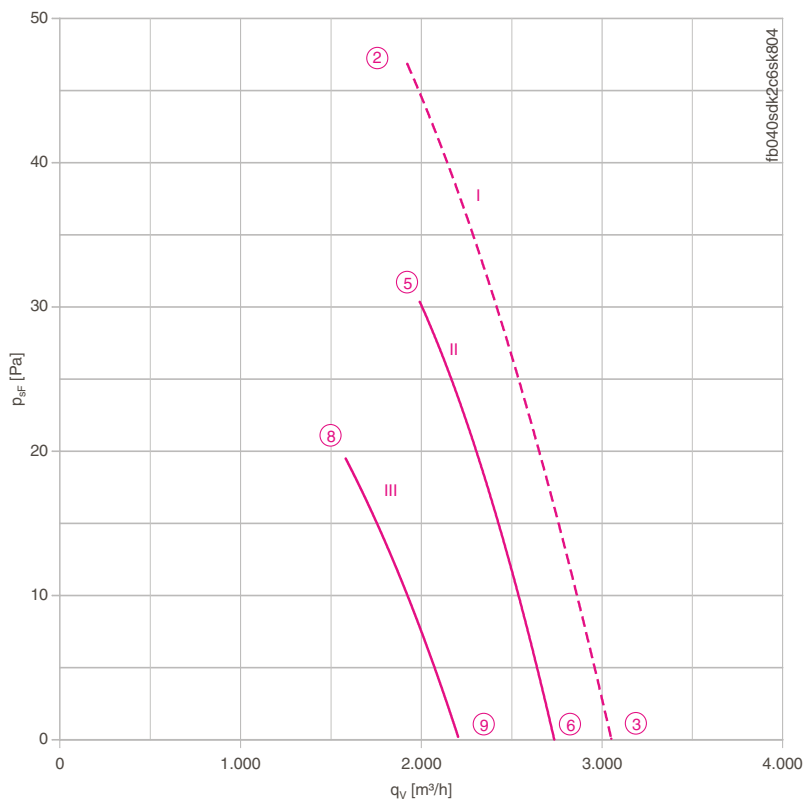
FBO40-SD



Description

Motor technology: AC
 Rated voltage U_N : 3- 400 V (Δ/Y) ± 10 %*
 Rated frequency f_N : 50 Hz* (60Hz data available)
 Motor input power P_1 : 0.12/0.08 kW*
 Rated current I_N : 0.28/0.14 A*
 Rated speed n_N : 900/ 700 min⁻¹*
 Starting current I_s : 0.66 A / 0.22 A
 Current increase ΔI : 0 %
 Thermal class: THCL155*
 Min. permitted conveyor temperature $t_{R(min)}$: -40 °C
 Max. permitted conveyor temperature $t_{R(max)}$: 70 °C
 Electrical connection: Terminal box
 Number of blades: 4
 Protection class: IP54
 Motor protection: Thermal contact
 Blades: Aluminium, uncoated
 Rotor: Aluminium, uncoated
 Conformity: CE
ErP Data
 Is not subject to the ErP Guidelines ($P_1 < 125$ W)
 * Rated data

Characteristic curve

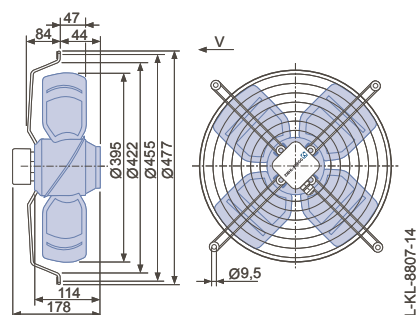


I) Measured in full bell mouth without guard grille in installation type A according to ISO 5801.
 II-x) Measured in short-bell mouth with compressed side contact protection.

- Connection diagram 1360-108XA Page 608
- System components Page 524

Dimensions [mm]

← Airflow direction V
 Design K - axial bolted, mounted for short bell mouth E



Performance data


Type	Connection	Characteristic curve	Voltage	Operating point	Current	Motor input power	Speed	Suction side sound power level
			U [V]					
FB040-SD_2C.V4S	Δ	I	400*	②	0.28*	120*	900*	
			400	③	0.26	100	920	65
		II	400	⑤	0.27	100	920	64
	Y	III	400	⑥	0.26	95	930	63
			400	⑧	0.12	64	730	58
		400	⑨	0.12	62	750	58	

*rated data

Fan ordering information

← Airflow direction V

Design K



Type FB040-SDK.2C.V4S
Article no. 124161
Weight [kg] 5.50

Control technology

<p>Frequency inverter Fcontrol 3~</p>  <p>➤ Page 558</p>	<p>Motor protection units 3~</p>  <p>➤ Page 596</p>	<p>Transformer-based controllers 3~</p>  <p>➤ Page 591</p>	<p>Electronic voltage controllers 3~</p>  <p>➤ Page 578</p>
--	---	--	---

FB

for single phase alternating current, 4 pole

FBO45-4E



Description

Motor technology: AC
 Rated voltage U_N : 1~ 230 V±10 %*
 Rated frequency f_N : 50 Hz* (60Hz data available)
 Motor input power P_1 : 0.41 kW*
 Rated current I_N : 1.90 A*
 Rated speed n_N : 1320 min⁻¹*
 Starting current I_s : 4.40 A
 Current increase ΔI : 0 %
 Service capacitor C_{400V} : 8.0 μ F
 Thermal class: THCL155*
 Min. permitted conveyor temperature $t_{R(min)}$: -25 °C
 Max. permitted conveyor temperature $t_{R(max)}$: 70 °C
 Electrical connection: Terminal box
 Number of blades: 4
 Protection class: IP54
 Motor protection: Thermal contact
 Blades: Aluminium, uncoated
 Rotor: Aluminium, uncoated
 Conformity: ErP 2015, CE

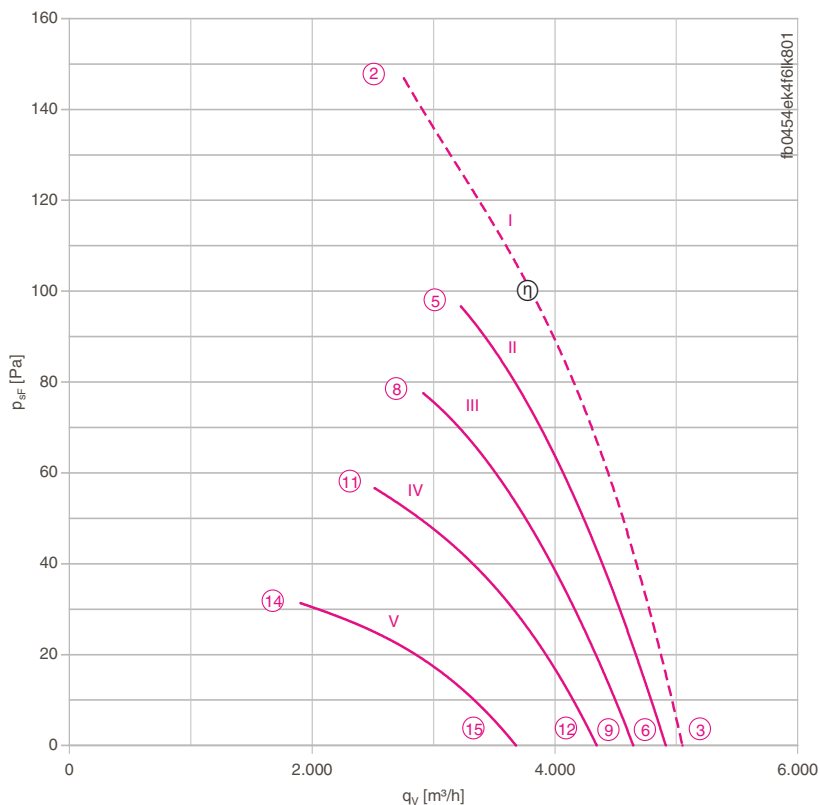
ErP Data

Efficiency η_{statA} : 32.3 %
 Efficiency: $N_{actual} = 41.7 / N_{target} = 40$ **

* Rated data

**ErP 2015

Characteristic curve

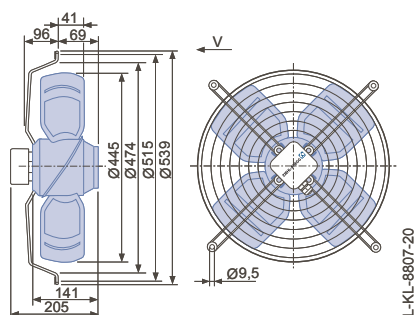


I) Measured in full bell mouth without guard grille in installation type A according to ISO 5801.
 II-x) Measured in short-bell mouth with compressed side contact protection.

- Connection diagram 1360-104XA Page 608
- System components Page 524

Dimensions [mm]

Airflow direction V
 Design K - axial bolted, mounted for short bell mouth E



Performance data


Type	Characteristic curve	Voltage	Operating point	Current	Motor input power	Speed	Suction side sound power level
		U [V]		I [A]	P ₁ [W]	n [min ⁻¹]	L _{WAS} [dB]
FB045-4E_4F.V4L	I	230*	②	1.90*	410*	1320*	
		230	③	1.45	300	1400	74
	II	230	⑤	1.55	330	1380	72
		230	⑥	1.30	260	1410	72
	III	160	⑧	1.70	260	1240	69
		160	⑨	1.25	190	1340	71
	IV	130	⑪	1.80	220	1080	66
		130	⑫	1.35	170	1250	69
	V	105	⑭	1.80	175	810	58
		105	⑮	1.45	145	1060	66

*rated data

Fan ordering information

Airflow direction V



Design K



Type **FB045-4EK.4F.V4L**
Article no. **124180**

Weight [kg] 9.20

Control technology

<p>Frequency inverter Fcontrol 1~</p>  <p>➤ Page 552</p>	<p>Motor protection units 1~</p>  <p>➤ Page 596</p>	<p>Transformer-based controllers 1~</p>  <p>➤ Page 587</p>	<p>Electronic voltage controllers 1~</p>  <p>➤ Page 562</p>
---	--	---	--

FB

for single phase alternating current, 4 pole

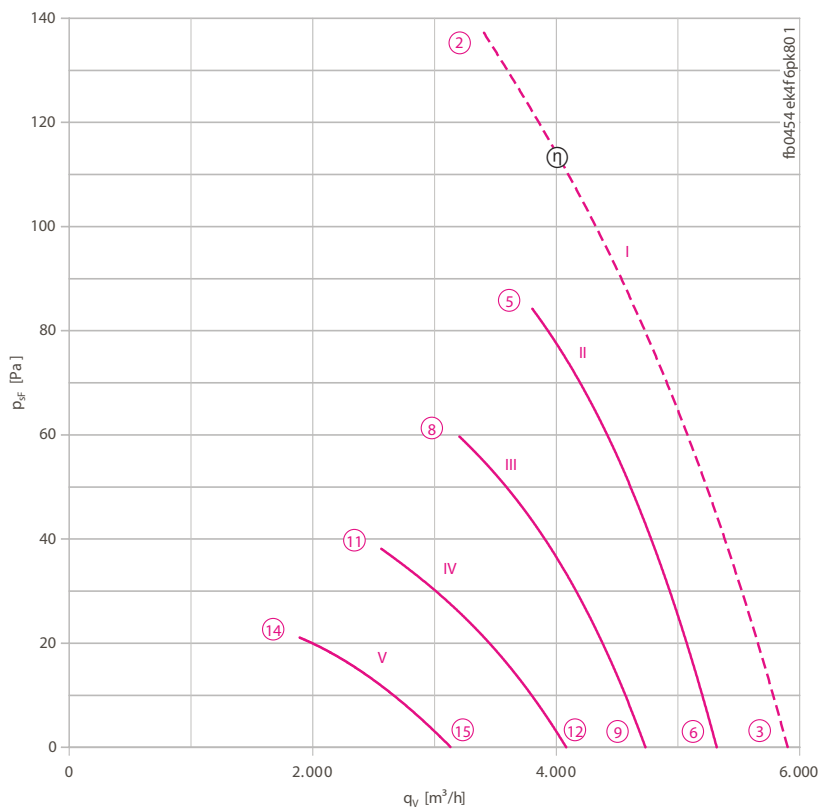
FBO45-4E



Description

Motor technology: AC
 Rated voltage U_N : 1~ 230 V±10 %*
 Rated frequency f_N : 50 Hz* (60Hz data available)
 Motor input power P_1 : 0.39 kW*
 Rated current I_N : 1.80 A*
 Rated speed n_N : 1320 min⁻¹*
 Starting current I_s : 4.40 A
 Current increase ΔI : 10 %
 Service capacitor C_{400V} : 8.0 μF
 Thermal class: THCL155*
 Min. permitted conveyor temperature $t_{R(min)}$: -25 °C
 Max. permitted conveyor temperature $t_{R(max)}$: 70 °C
 Electrical connection: Terminal box
 Number of blades: 4
 Protection class: IP54
 Motor protection: Thermal contact
 Blades: Aluminium, uncoated
 Rotor: Aluminium, uncoated
 Conformity: ErP 2015, CE
ErP Data
 Efficiency η_{statA} : 29.5 %
 Efficiency: $N_{actual} = 40.0 / N_{target} = 40$ **
 Frequency inverter required
 * Rated data
 **ErP 2015

Characteristic curve

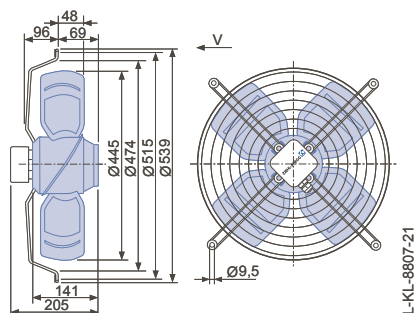


I) Measured in full bell mouth without guard grille in installation type A according to ISO 5801.
 II-x) Measured in short-bell mouth with compressed side contact protection.

- Connection diagram 1360-104XA Page 608
- System components Page 524

Dimensions [mm]

← Airflow direction V
 Design K - axial bolted, mounted for short bell mouth E



Performance data


Type	Characteristic curve	Voltage	Operating point	Current	Motor input power	Speed	Suction side sound power level
		U [V]		I [A]	P ₁ [W]	n [min ⁻¹]	L _{WAS} [dB]
FB045-4E_4F.V4P	I	230*	②	2.10*	480*	1320*	
		230	③	1.60	340	1390	77
	II	230	⑤	1.80	390	1320	73
		230	⑥	1.50	330	1360	73
	III	160	⑧	1.90	300	1120	70
		160	⑨	1.55	240	1220	70
	IV	130	⑪	1.95	250	850	64
		130	⑫	1.70	210	1050	66
	V	105	⑭	1.75	170	690	57
		105	⑮	1.65	160	810	60

*rated data

Fan ordering information

Airflow direction V




Design K



Type FB045-4EK.4F.V4P
Article no. 209023

Weight [kg] 9.20

Control technology

<p>Frequency inverter Fcontrol 1~</p>  <p>➤ Page 552</p>	<p>Motor protection units 1~</p>  <p>➤ Page 596</p>	<p>Transformer-based controllers 1~</p>  <p>➤ Page 587</p>	<p>Electronic voltage controllers 1~</p>  <p>➤ Page 562</p>
---	--	---	--



FB

for single phase alternating current, 4 pole

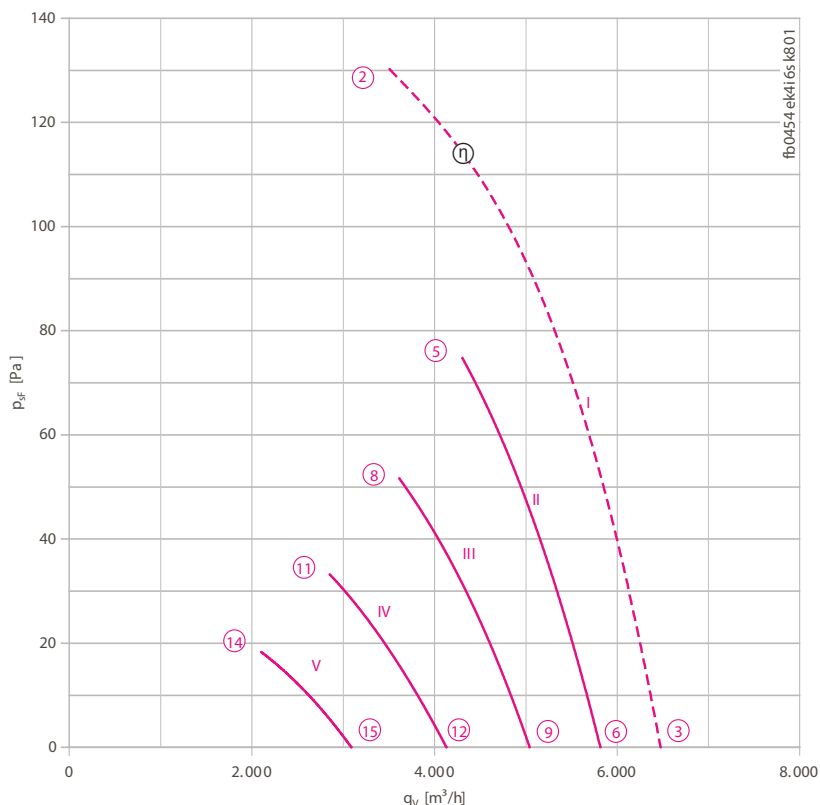
FBO45-4E



Description

Motor technology: AC
 Rated voltage U_N : 1~ 230 V±10 %*
 Rated frequency f_N : 50 Hz* (60Hz data available)
 Motor input power P_1 : 0.58 kW*
 Rated current I_N : 2.50 A*
 Rated speed n_N : 1260 min⁻¹*
 Starting current I_s : 5.00 A
 Current increase ΔI : 0 %
 Service capacitor C_{400V} : 10.0 μ F
 Thermal class: THCL155*
 Min. permitted conveyor temperature $t_{R(min)}$: -25 °C
 Max. permitted conveyor temperature $t_{R(max)}$: 70 °C
 Electrical connection: Terminal box
 Number of blades: 4
 Protection class: IP54
 Motor protection: Thermal contact
 Blades: Aluminium, uncoated
 Rotor: Aluminium, uncoated
 Conformity: ErP 2013, CE
ErP Data
 Efficiency η_{statA} : 26.1 %
 Efficiency: $N_{actual} = 36.0 / N_{target} = 36$ **
 Frequency inverter required
 * Rated data
 **ErP 2013

Characteristic curve

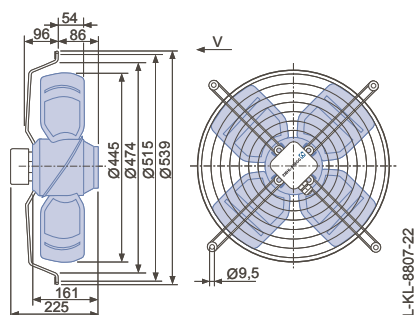


I) Measured in full bell mouth without guard grille in installation type A according to ISO 5801.
 II-x) Measured in short-bell mouth with compressed side contact protection.

- Connection diagram 1360-104XA Page 608
- System components Page 524

Dimensions [mm]

← Airflow direction V
 Design K - axial bolted, mounted for short bell mouth E



Performance data


Type	Characteristic curve	Voltage	Operating point	Current	Motor input power	Speed	Suction side sound power level L_{WAS} [dB]
		U [V]		I [A]	P_1 [W]	n [min ⁻¹]	
FB045-4E_4I.V4S	I	230*	②	2.40*	570*	1270*	80
		230	③	2.00	440	1350	
	II	230	⑤	2.10	480	1330	77
		230	⑥	1.95	430	1360	77
	III	160	⑧	2.40	370	1110	75
		160	⑨	2.20	340	1170	73
	IV	130	⑪	2.40	290	880	65
		130	⑫	2.30	280	960	68
	V	105	⑭	2.20	210	660	57
		105	⑮	2.10	200	720	60

*rated data

Fan ordering information

Airflow direction V


Design K



Type FB045-4EK.4I.V4S
Article no. 124181

Weight [kg] 11.00

Control technology

<p>Frequency inverter Fcontrol 1~</p>  <p>➤ Page 552</p>	<p>Motor protection units 1~</p>  <p>➤ Page 596</p>	<p>Transformer-based controllers 1~</p>  <p>➤ Page 587</p>	<p>Electronic voltage controllers 1~</p>  <p>➤ Page 562</p>
---	--	---	---

FB

for single phase alternating current, 6 pole

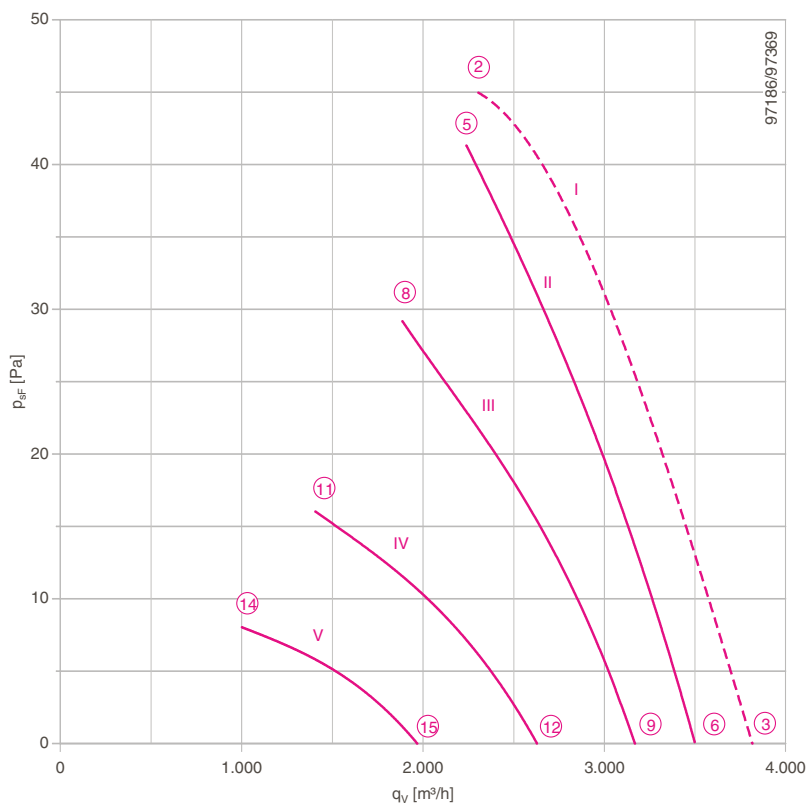
FBO45-6E



Description

Motor technology: AC
 Rated voltage U_N : 1~ 230 V \pm 10 %*
 Rated frequency f_N : 50 Hz*
 Motor input power P_1 : 0.13 kW*
 Rated current I_N : 0.58 A*
 Rated speed n_N : 880 min⁻¹*
 Current increase ΔI : 0 %
 Service capacitor C_{400V} : 4.0 μ F
 Thermal class: THCL155*
 Min. permitted conveyor temperature $t_{R(min)}$: -25 °C
 Max. permitted conveyor temperature $t_{R(max)}$: 70 °C
 Electrical connection: Terminal box
 Number of blades: 4
 Protection class: IP54
 Motor protection: Thermal contact
 Blades: Aluminium, 1 coat paint, black
 Rotor: Aluminium, 1 coat paint, black
 Conformity: CE
ErP Data
 Is not subject to the ErP Guidelines ($P_1 < 125$ W)
 * Rated data

Characteristic curve

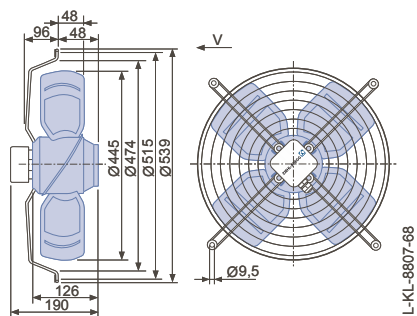


I) Measured in full bell mouth without guard grille in installation type A according to ISO 5801.
 II-x) Measured in short-bell mouth with compressed side contact protection.

- Connection diagram 1360-104XA Page 608
- System components Page 524

Dimensions [mm]

← Airflow direction V
 Design K - axial bolted, mounted for short bell mouth E



Performance data

Type	Characteristic curve	Voltage	Operating point	Current	Motor input power	Speed	Suction side sound power level
		U [V]		I [A]	P ₁ [W]	n [min ⁻¹]	L _{WAS} [dB]
FB045-6E_2C_4P	I	230*	②	0.58*	130*	870*	68
		230	③	0.48	110	920	63
	II	230	⑤	0.58	130	870	66
		230	⑥	0.50	110	910	66
	III	170	⑧	0.56	95	730	62
		170	⑨	0.48	80	830	64
	IV	135	⑪	0.52	70	540	54
		135	⑫	0.48	65	680	59
	V	110	⑭	0.46	48	390	46
		110	⑮	0.44	48	510	52

*rated data

Fan ordering information

Airflow direction V

Design K



Type **FB045-6EK.2C.V4P**
Article no. **160121**

Weight [kg] 4.00

Control technology

<p>Frequency inverter Fcontrol 1~</p>  <p>➤ Page 552</p>	<p>Motor protection units 1~</p>  <p>➤ Page 596</p>	<p>Transformer-based controllers 1~</p>  <p>➤ Page 587</p>	<p>Electronic voltage controllers 1~</p>  <p>➤ Page 562</p>
---	--	---	--

FB

for single phase alternating current, 6 pole

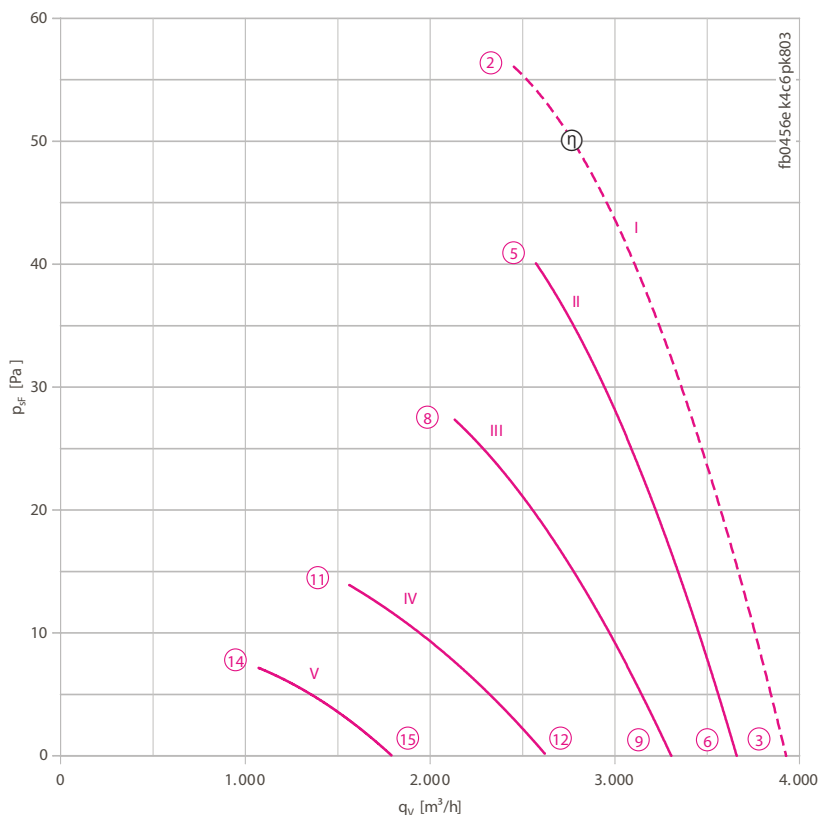
FBO45-6E



Description

Motor technology: AC
 Rated voltage U_N : 1~ 230 V \pm 10 %*
 Rated frequency f_N : 50 Hz*
 Motor input power P_1 : 0.20 kW*
 Rated current I_N : 0.88 A*
 Rated speed n_N : 910 min⁻¹*
 Starting current I_s : 1.70 A
 Current increase ΔI : 0 %
 Service capacitor C_{400V} : 5.0 μ F
 Thermal class: **THCL155***
 Min. permitted conveyor temperature $t_{R(min)}$: -25 °C
 Max. permitted conveyor temperature $t_{R(max)}$: 70 °C
 Electrical connection: Terminal box
 Number of blades: 4
 Protection class: IP54
 Motor protection: Thermal contact
 Blades: Aluminium, uncoated
 Rotor: Aluminium, uncoated
 * Rated data

Characteristic curve

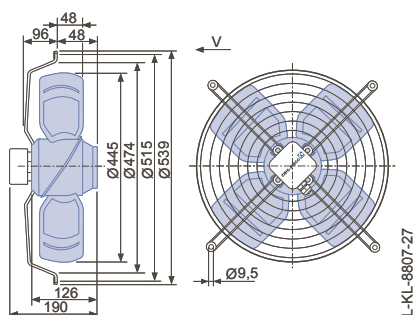


I) Measured in full bell mouth without guard grille in installation type A according to ISO 5801.
 II-x) Measured in short-bell mouth with compressed side contact protection.

- Connection diagram 1360-104XA Page 608
- System components Page 524

Dimensions [mm]

Airflow direction V
 Design K - axial bolted, mounted for short bell mouth E



Performance data


Type	Characteristic curve	Voltage	Operating point	Current	Motor input power	Speed	Suction side sound power level
		U [V]		I [A]	P ₁ [W]	n [min ⁻¹]	L _{WAS} [dB]
FB045-6E_4C.V4P	I	230*	②	0.90*	190*	850*	
		230	③	0.73	145	910	67
	II	230	⑤	0.75	155	910	66
		230	⑥	0.69	135	930	65
	III	160	⑧	0.74	110	780	60
		160	⑨	0.64	94	830	62
	IV	130	⑪	0.74	83	540	54
		130	⑫	0.68	80	670	57
	V	105	⑭	0.62	56	380	
		105	⑮	0.61	55	460	

*rated data

Fan ordering information

Airflow direction V


Design K



Type **FB045-6EK.4C.V4P**
Article no. **124183**

Weight [kg] 7.70

Control technology

<p>Frequency inverter Fcontrol 1~</p>  <p>➤ Page 552</p>	<p>Motor protection units 1~</p>  <p>➤ Page 596</p>	<p>Transformer-based controllers 1~</p>  <p>➤ Page 587</p>	<p>Electronic voltage controllers 1~</p>  <p>➤ Page 562</p>
---	--	---	--

FB

for single phase alternating current, 6 pole

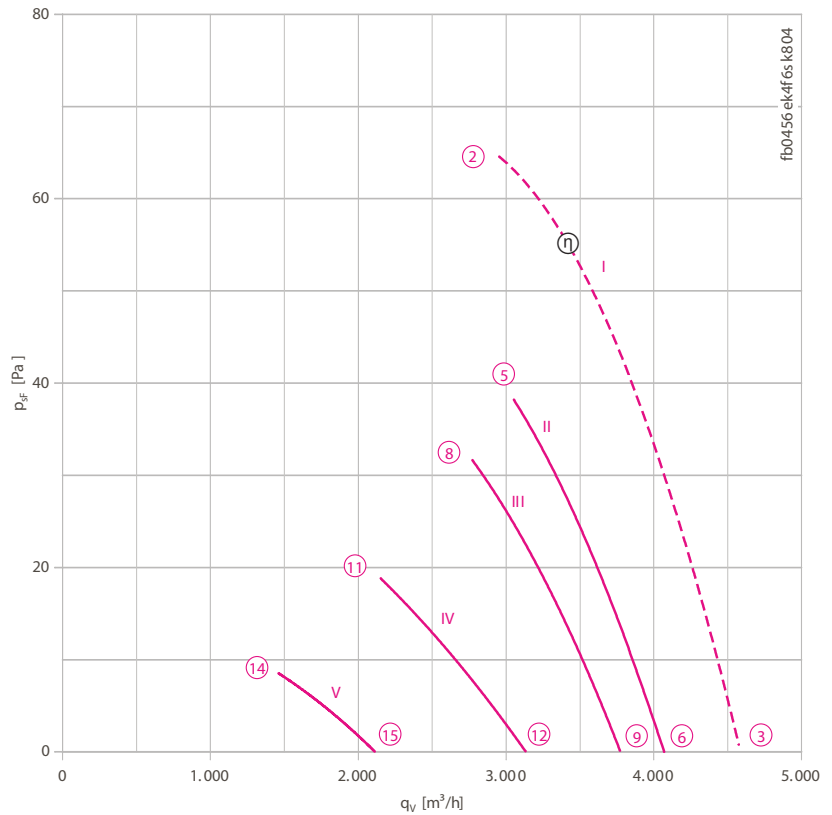
FBO45-6E



Description

Motor technology: AC
 Rated voltage U_N : 1~ 230 V \pm 10 %*
 Rated frequency f_N : 50 Hz*
 Motor input power P_1 : 0.26 kW*
 Rated current I_N : 1.20 A*
 Rated speed n_N : 920 min⁻¹*
 Starting current I_s : 2.20 A
 Current increase ΔI : 0 %
 Service capacitor C_{400V} : 8.0 μ F
 Thermal class: **THCL155***
 Min. permitted conveyor temperature $t_{R(min)}$: -25 °C
 Max. permitted conveyor temperature $t_{R(max)}$: 70 °C
 Electrical connection: Terminal box
 Number of blades: 4
 Protection class: IP54
 Motor protection: Thermal contact
 Blades: Aluminium, uncoated
 Rotor: Aluminium, uncoated
 * Rated data

Characteristic curve



I) Measured in full bell mouth without guard grille in installation type A according to ISO 5801.
 II-x) Measured in short-bell mouth with compressed side contact protection.

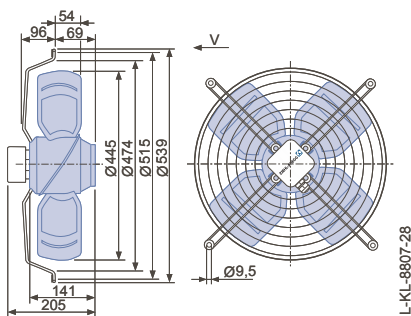
Connection diagram 1360-104XA Page 608

System components Page 524

Dimensions [mm]

Airflow direction V

Design K - axial bolted, mounted for short bell mouth E



Performance data


Type	Characteristic curve	Voltage	Operating point	Current	Motor input power	Speed	Suction side sound power level
		U [V]		I [A]	P ₁ [W]	n [min ⁻¹]	L _{WAS} [dB]
FB045-6E_4F.V4S	I	230*	②	1.25*	280*	870*	
		230	③	0.96	210	930	71
	II	230	⑤	0.92	200	940	69
		230	⑥	0.87	190	950	67
	III	160	⑧	0.94	145	850	66
		160	⑨	0.85	130	880	64
	IV	130	⑪	1.00	120	660	59
		130	⑫	0.93	115	740	59
	V	105	⑭	0.90	83	450	
		105	⑮	0.89	82	490	

*rated data

Fan ordering information

Airflow direction V



Design K



Type FB045-6EK.4F.V4S
Article no. 124184

Weight [kg] 9.20

Control technology

<p>Frequency inverter Fcontrol 1~</p>  <p>➤ Page 552</p>	<p>Motor protection units 1~</p>  <p>➤ Page 596</p>	<p>Transformer-based controllers 1~</p>  <p>➤ Page 587</p>	<p>Electronic voltage controllers 1~</p>  <p>➤ Page 562</p>
---	--	---	--

FB

for three phase alternating current, 4-4 pole

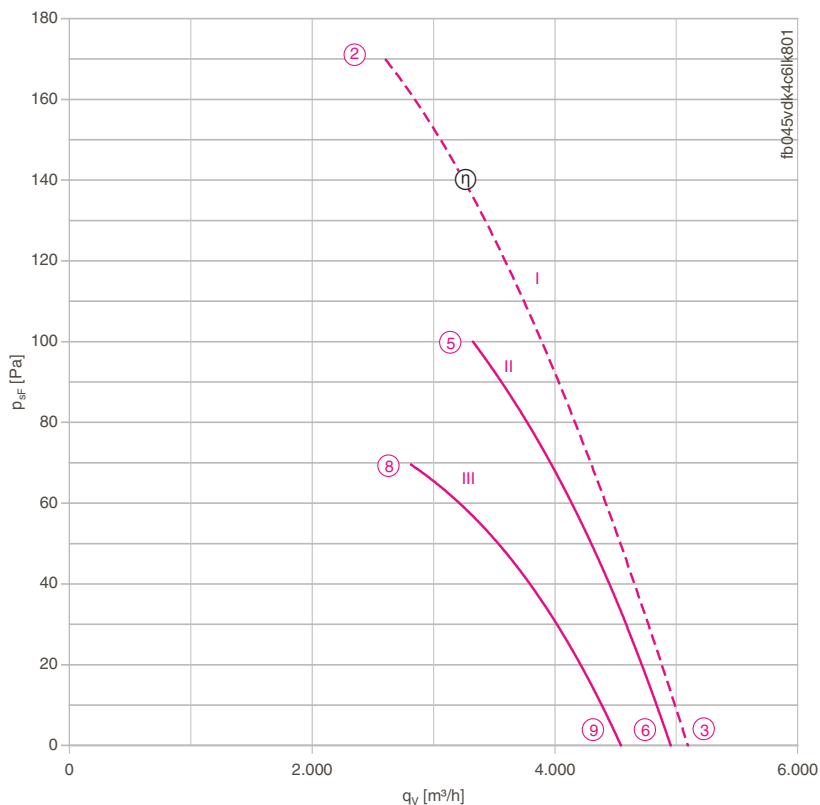
FBO45-VD



Description

Motor technology: AC
 Rated voltage U_N : 3- 400 V (Δ/Y) ± 10 %*
 Rated frequency f_N : 50 Hz*
 Motor input power P_1 : 0.43/0.33 kW*
 Rated current I_N : 0.79/0.53 A*
 Rated speed n_N : 1370/1030 min⁻¹*
 Starting current I_s : 3.10 A / 1.80 A
 Current increase ΔI : 20 %
 Thermal class: THCL155*
 Min. permitted conveyor temperature $t_{R(min)}$: -40 °C
 Max. permitted conveyor temperature $t_{R(max)}$: 55 °C
 Electrical connection: Terminal box
 Number of blades: 4
 Protection class: IP54
 Motor protection: Thermal contact
 Blades: Aluminium, uncoated
 Rotor: Aluminium, uncoated
 Conformity: ErP 2015, CE
ErP Data
 Efficiency η_{statA} : 36.6 %
 Efficiency: $N_{actual} = 45.6 / N_{target} = 40$ **
 * Rated data
 **ErP 2015

Characteristic curve

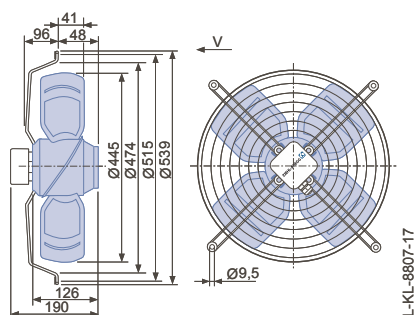


I) Measured in full bell mouth without guard grille in installation type A according to ISO 5801.
 II-x) Measured in short-bell mouth with compressed side contact protection.

- Connection diagram 1360-108XA Page 608
- System components Page 524

Dimensions [mm]

Airflow direction V
 Design K - axial bolted, mounted for short bell mouth E



Performance data

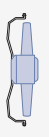
Type	Connection	Characteristic curve	Voltage	Operating point	Current	Motor input power	Speed	Suction side sound power level	Max. permitted media temperature
			U [V]						
FB045-VD_.4C.V4L	Δ	I	400*	②	0.79*	430*	1370*		55
			400	③	0.60	240	1435	75	
			400	⑤	0.61	300	1400	72	
	Y	II	400	⑥	0.52	210	1440	72	70
			400	⑧	0.39	240	1180	68	
			400	⑨	0.28	165	1310	70	

*rated data

Fan ordering information

Airflow direction V

Design K



Type **FB045-VDK.4C.V4L**
Article no. **124166**

Weight [kg] 7.70

Control technology

<p>Frequency inverter Fcontrol 3~</p>  <p>➤ Page 558</p>	<p>Motor protection units 3~</p>  <p>➤ Page 596</p>	<p>Transformer-based controllers 3~</p>  <p>➤ Page 591</p>	<p>Electronic voltage controllers 3~</p>  <p>➤ Page 578</p>
---	--	---	--

FB

for three phase alternating current, 4-4 pole

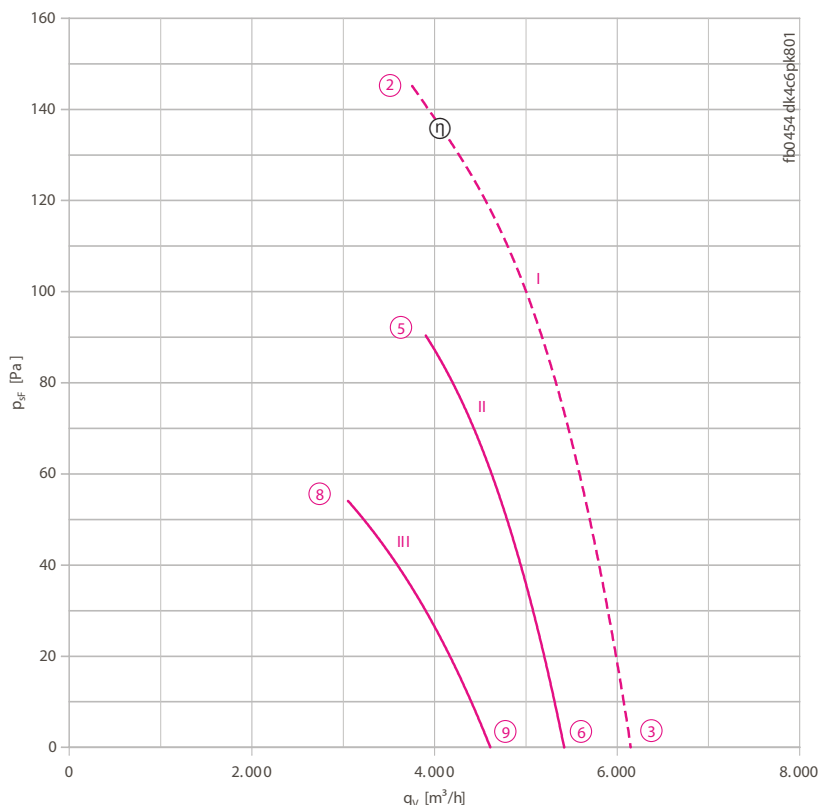
FBO45-VD



Description

Motor technology: AC
 Rated voltage U_N : 3- 400 V (Δ/Y) ± 10 %*
 Rated frequency f_N : 50 Hz*
 Motor input power P_1 : 0.45/0.34 kW*
 Rated current I_N : 0.81/0.55 A*
 Rated speed n_N : 1360/1040 min⁻¹*
 Starting current I_s : 3.00 A / 1.00 A
 Current increase ΔI : 20 %
 Thermal class: THCL155*
 Min. permitted conveyor temperature $t_{R(min)}$: -40 °C
 Max. permitted conveyor temperature $t_{R(max)}$: 60 °C
 Electrical connection: Terminal box
 Number of blades: 4
 Protection class: IP54
 Motor protection: Thermal contact
 Blades: Aluminium, uncoated
 Rotor: Aluminium, uncoated
 Conformity: ErP 2015, CE
ErP Data
 Efficiency η_{statA} : 31.4 %
 Efficiency: $N_{actual} = 40.1 / N_{target} = 40$ **
 * Rated data
 **ErP 2015

Characteristic curve

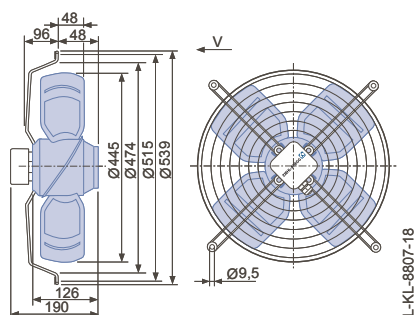


I) Measured in full bell mouth without guard grille in installation type A according to ISO 5801.
 II-x) Measured in short-bell mouth with compressed side contact protection.

- Connection diagram 1360-108XA Page 608
- System components Page 524

Dimensions [mm]

← Airflow direction V
 Design K - axial bolted, mounted for short bell mouth E



Performance data


Type	Connection	Characteristic curve	Voltage	Operating point	Current	Motor input power	Speed	Suction side sound power level	Max. permitted media temperature
			U [V]						
FB045-VD_4C.V4P	Δ	I	400*	②	0.81*	450*	1360*		60
			400	③	0.60	300	1400	79	70
			400	⑤	0.69	380	1370	75	
	Y	III	400	⑥	0.60	300	1400	74	
			400	⑧	0.48	280	1070	69	
			400	⑨	0.41	250	1180	70	

*rated data

Fan ordering information



Design K



Type **FB045-VDK.4C.V4P**
Article no. **210540**

Weight [kg] 7.70

Control technology

<p>Frequency inverter Fcontrol 3~</p>  <p>Page 558</p>	<p>Motor protection units 3~</p>  <p>Page 596</p>	<p>Transformer-based controllers 3~</p>  <p>Page 591</p>	<p>Electronic voltage controllers 3~</p>  <p>Page 578</p>
---	--	---	--

FB

for three phase alternating current, 4-4 pole

FBO45-VD



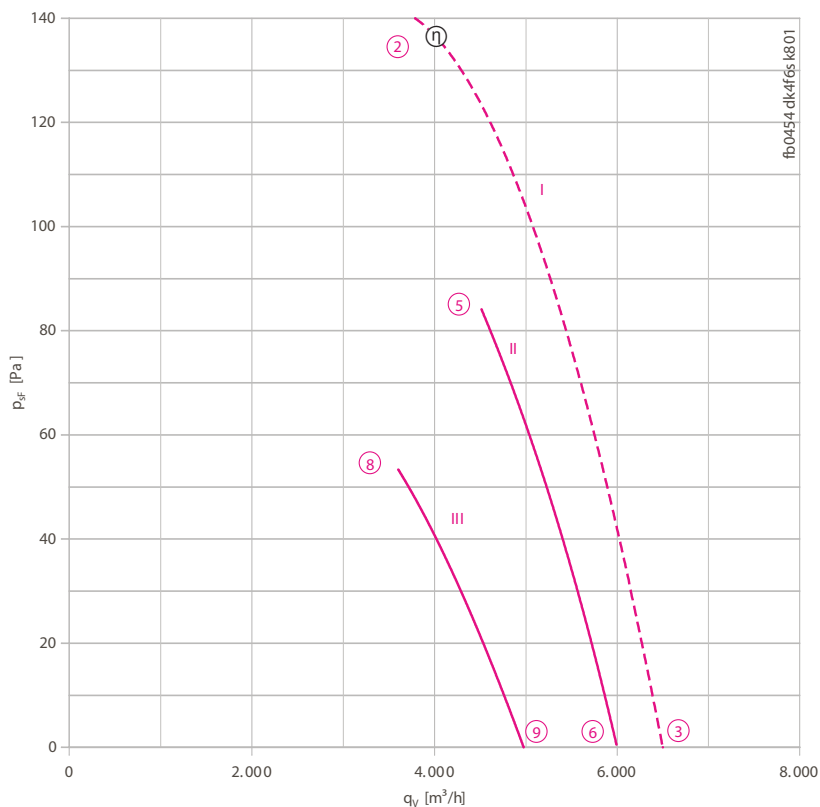
Description

Motor technology: AC
 Rated voltage U_N : 3~ 400 V (Δ/Y) ± 10 %*
 Rated frequency f_N : 50 Hz*
 Motor input power P_1 : 0.63/0.43 kW*
 Rated current I_N : 1.10/0.70 A*
 Rated speed n_N : 1330/ 970 min⁻¹*
 Starting current I_s : 4.00 A / 1.20 A
 Current increase ΔI : 10 %
 Thermal class: THCL155*
 Min. permitted conveyor temperature $t_{R(min)}$: -40 °C
 Max. permitted conveyor temperature $t_{R(max)}$: 55 °C
 Electrical connection: Terminal box
 Number of blades: 4
 Protection class: IP54
 Motor protection: Thermal contact
 Blades: Aluminium, uncoated
 Rotor: Aluminium, uncoated
 Conformity: ErP 2015, CE

ErP Data

Efficiency η_{statA} : 32.0 %
 Efficiency: $N_{actual} = 40.0 / N_{target} = 40$ **
 * Rated data
 **ErP 2015

Characteristic curve

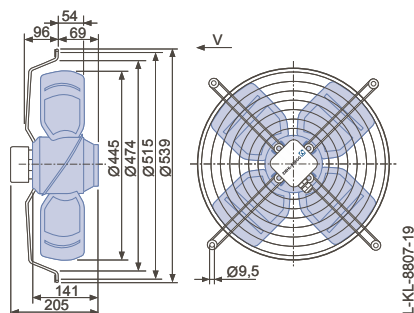


I) Measured in full bell mouth without guard grille in installation type A according to ISO 5801.
 II-x) Measured in short-bell mouth with compressed side contact protection.

- Connection diagram 1360-108XA Page 608
- System components Page 524

Dimensions [mm]

Airflow direction V
 Design K - axial bolted, mounted for short bell mouth E



Performance data


Type	Connection	Characteristic curve	Voltage	Operating point	Current	Motor input power	Speed	Suction side sound power level	Max. permitted media temperature
			U [V]						
FB045-VD_4F.V4S	Δ	I	400*	②	1.10*	630*	1330*		55
			400	③	0.90	430	1380	81	
		II	400	⑤	0.92	460	1370	80	70
	400		⑥	0.86	410	1390	77		
	Y	III	400	⑧	0.59	340	1100	75	
			400	⑨	0.54	310	1160	72	

*rated data

Fan ordering information



Design K



Type FB045-VDK.4F.V4S
Article no. 124167

Weight [kg] 9.20

Control technology

<p>Frequency inverter Fcontrol 3~</p>  <p>Page 558</p>	<p>Motor protection units 3~</p>  <p>Page 596</p>	<p>Transformer-based controllers 3~</p>  <p>Page 591</p>	<p>Electronic voltage controllers 3~</p>  <p>Page 578</p>
---	--	---	--

FB

for three phase alternating current, 6-6 pole

FBO45-SD



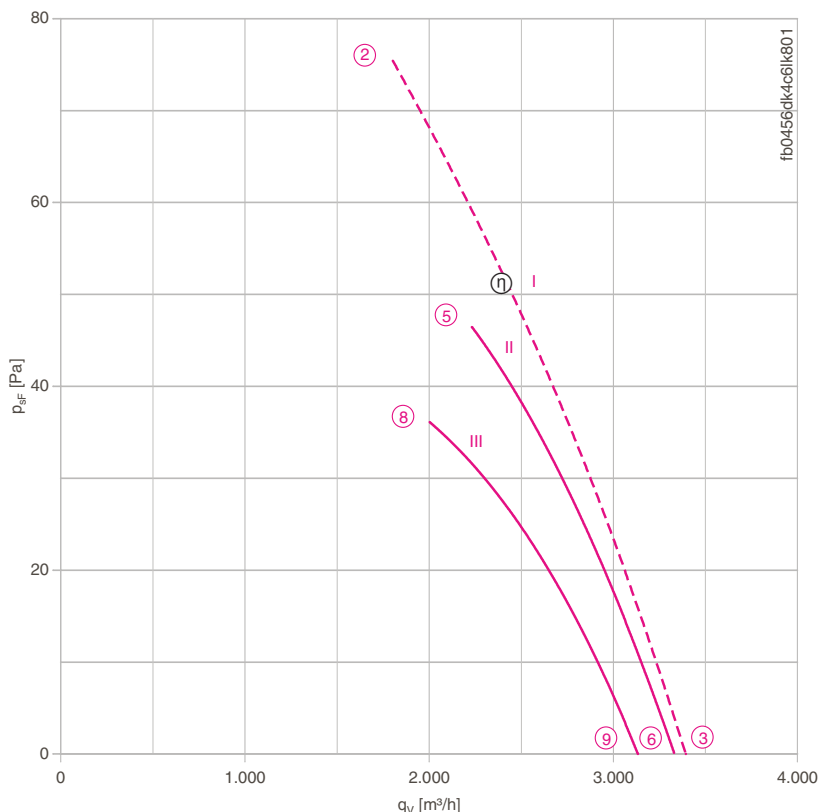
Description

Motor technology: AC
 Rated voltage U_N : 3- 400 V (Δ/Y) ± 10 %*
 Rated frequency f_N : 50 Hz* (60Hz data available)
 Motor input power P_1 : 0.15/0.10 kW*
 Rated current I_N : 0.45/0.23 A*
 Rated speed n_N : 920/ 730 min⁻¹*
 Starting current I_s : 1.20 A / 0.36 A
 Current increase ΔI : 0 %
 Thermal class: THCL155*
 Min. permitted conveyor temperature $t_{R(min)}$: -40 °C
 Max. permitted conveyor temperature $t_{R(max)}$: 70 °C
 Electrical connection: Terminal box
 Number of blades: 4
 Protection class: IP54
 Motor protection: Thermal contact
 Blades: Aluminium, uncoated
 Rotor: Aluminium, uncoated
 Conformity: ErP 2015, CE

ErP Data

Efficiency η_{statA} : 28.1 %
 Efficiency: $N_{actual} = 40.0 / N_{target} = 40$ **
 * Rated data
 **ErP 2015

Characteristic curve

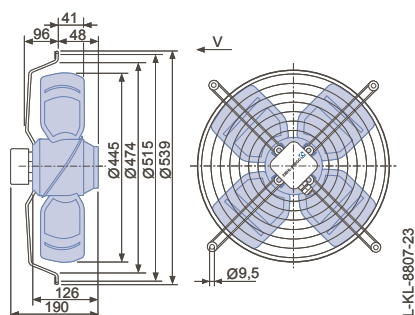


I) Measured in full bell mouth without guard grille in installation type A according to ISO 5801.
 II-x) Measured in short-bell mouth with compressed side contact protection.

- Connection diagram 1360-108XA Page 608
- System components Page 524

Dimensions [mm]

Airflow direction V
 Design K - axial bolted, mounted for short bell mouth E



Performance data

Type	Connection	Characteristic curve	Voltage	Operating point	Current	Motor input power	Speed	Suction side sound power level
			U [V]					
FB045-SD_4C.V4L	Δ	I	400*	②	0.45*	150*	920*	
			400	③	0.45	115	960	69
		400	⑤	0.45	130	650	63	
	Y	II	400	⑥	0.44	105	970	62
			400	⑧	0.19	86	850	60
		400	⑨	0.17	65	910	61	

*rated data

Fan ordering information

Airflow direction V

Design K



Type FB045-SDK.4C.V4L
Article no. 124177
Weight [kg] 7.70

Control technology

<p>Frequency inverter Fcontrol 3~</p>  <p>➤ Page 558</p>	<p>Motor protection units 3~</p>  <p>➤ Page 596</p>	<p>Transformer-based controllers 3~</p>  <p>➤ Page 591</p>	<p>Electronic voltage controllers 3~</p>  <p>➤ Page 578</p>
--	---	--	---

FB

for three phase alternating current, 6-6 pole

FBO45-SD



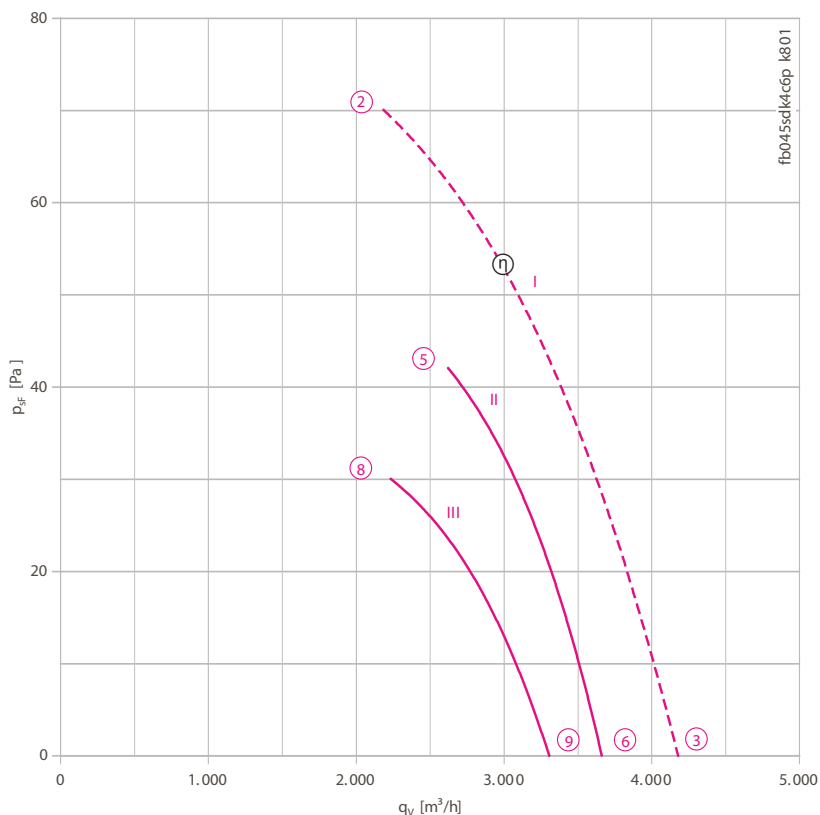
Description

Motor technology: AC
 Rated voltage U_N : 3- 400 V (Δ/Y) ± 10 %*
 Rated frequency f_N : 50 Hz* (60Hz data available)
 Motor input power P_1 : 0.19/0.13 kW*
 Rated current I_N : 0.53/0.28 A*
 Rated speed n_N : 920/ 750 min⁻¹*
 Starting current I_s : 1.50 A / 0.46 A
 Current increase ΔI : 0 %
 Thermal class: **THCL155***
 Min. permitted conveyor temperature $t_{R(min)}$: -40 °C
 Max. permitted conveyor temperature $t_{R(max)}$: 70 °C
 Electrical connection: Terminal box
 Number of blades: 4
 Protection class: IP54
 Motor protection: Thermal contact
 Blades: Aluminium, uncoated
 Rotor: Aluminium, uncoated
 Conformity: ErP 2013, CE

ErP Data

Efficiency η_{statA} : 24.7 %
 Efficiency: $N_{actual} = 36.1 / N_{target} = 36$ **
 * Rated data
 **ErP 2013

Characteristic curve

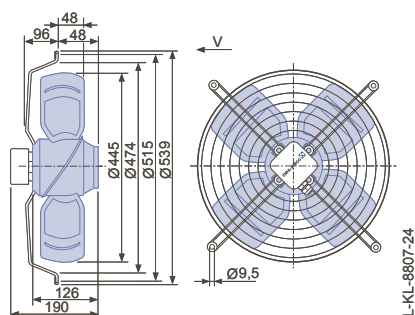


I) Measured in full bell mouth without guard grille in installation type A according to ISO 5801.
 II-x) Measured in short-bell mouth with compressed side contact protection.

- Connection diagram 1360-108XA Page 608
- System components Page 524

Dimensions [mm]

Airflow direction V
 Design K - axial bolted, mounted for short bell mouth E



Performance data


Type	Connection	Characteristic curve	Voltage	Operating point	Current	Motor input power	Speed	Suction side sound power level L_{WA5} [dB]
			U [V]		I [A]	P_1 [W]	n [min ⁻¹]	
FB045-SD_4C.V4P	Δ	I	400*	②	0.53*	190*	920*	
			400	③	0.46	130	950	69
		II	400	⑤	0.49	150	940	65
	Y	III	400	⑥	0.48	130	950	64
			400	⑧	0.22	100	820	62
		400	⑨	0.20	85	860	62	

*rated data

Fan ordering information

← Airflow direction V

Design K



Type FB045-SDK.4C.V4P
Article no. 209092
Weight [kg] 7.70

Control technology

<p>Frequency inverter Fcontrol 3~</p>  <p>➤ Page 558</p>	<p>Motor protection units 3~</p>  <p>➤ Page 596</p>	<p>Transformer-based controllers 3~</p>  <p>➤ Page 591</p>	<p>Electronic voltage controllers 3~</p>  <p>➤ Page 578</p>
--	---	--	---

FB

for three phase alternating current, 6-6 pole

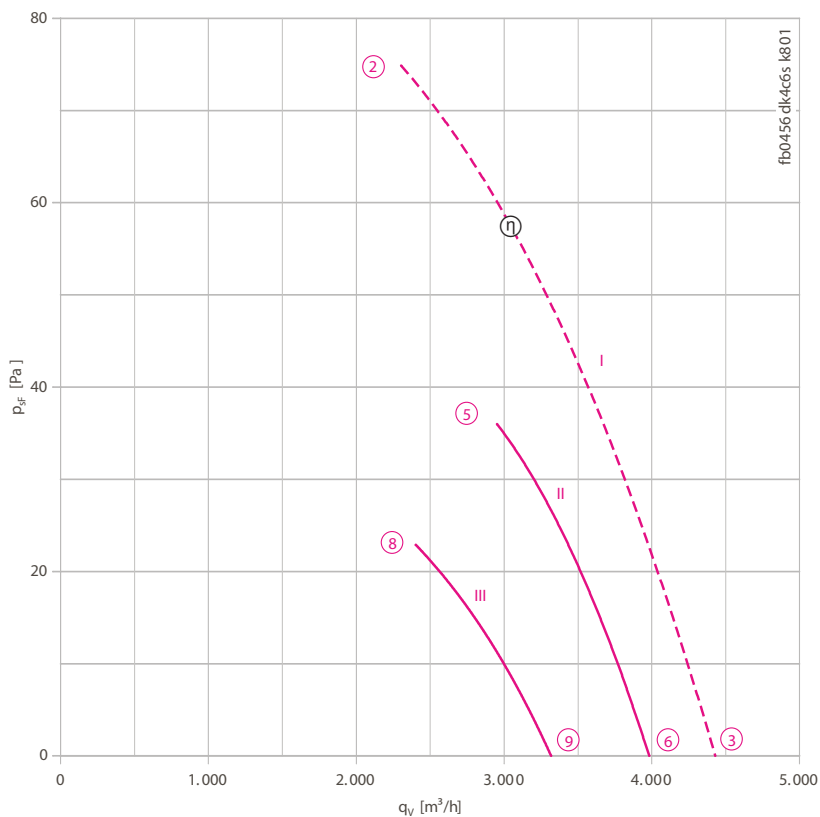
FBO45-SD



Description

Motor technology: AC
 Rated voltage U_N : 3- 400 V (Δ/Y) ± 10 %*
 Rated frequency f_N : 50 Hz* (60Hz data available)
 Motor input power P_1 : 0.23/0.14 kW*
 Rated current I_N : 0.56/0.30 A*
 Rated speed n_N : 885/ 600 min⁻¹*
 Starting current I_s : 1.50 A / 0.46 A
 Current increase ΔI : 0 %
 Thermal class: THCL155*
 Min. permitted conveyor temperature $t_{R(min)}$: -40 °C
 Max. permitted conveyor temperature $t_{R(max)}$: 70 °C
 Electrical connection: Terminal box
 Number of blades: 4
 Protection class: IP54
 Motor protection: Thermal contact
 Blades: Aluminium, uncoated
 Rotor: Aluminium, uncoated
 * Rated data

Characteristic curve

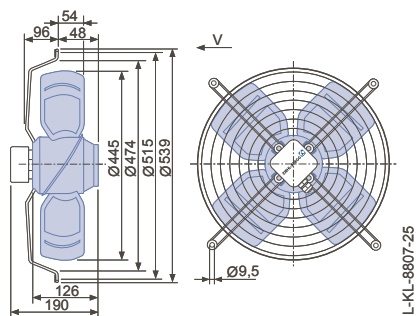


I) Measured in full bell mouth without guard grille in installation type A according to ISO 5801.
 II-x) Measured in short-bell mouth with compressed side contact protection.

- Connection diagram 1360-108XA Page 608
- System components Page 524

Dimensions [mm]

Airflow direction V
 Design K - axial bolted, mounted for short bell mouth E



Performance data

Type	Connection	Characteristic curve	Voltage	Operating point	Current	Motor input power	Speed	Suction side sound power level L_{WA5} [dB]
			U [V]		I [A]	P_1 [W]	n [min ⁻¹]	
FB045-SD_4C.V4S	Δ	I	400*	②	0.56*	230*	885*	
			400	③	0.50	160	930	71
			400	⑤	0.53	180	910	71
	Y	II	400	⑥	0.51	165	930	67
			400	⑧	0.25	115	740	66
			400	⑨	0.23	105	770	63

*rated data

Fan ordering information

← Airflow direction V

Design K



Type FB045-SDK.4C.V4S
Article no. 121958
Weight [kg] 7.70

Control technology

<p>Frequency inverter Fcontrol 3~</p>  <p>➤ Page 558</p>	<p>Motor protection units 3~</p>  <p>➤ Page 596</p>	<p>Transformer-based controllers 3~</p>  <p>➤ Page 591</p>	<p>Electronic voltage controllers 3~</p>  <p>➤ Page 578</p>
--	---	--	---

FB

for three phase alternating current, 8-8 pole

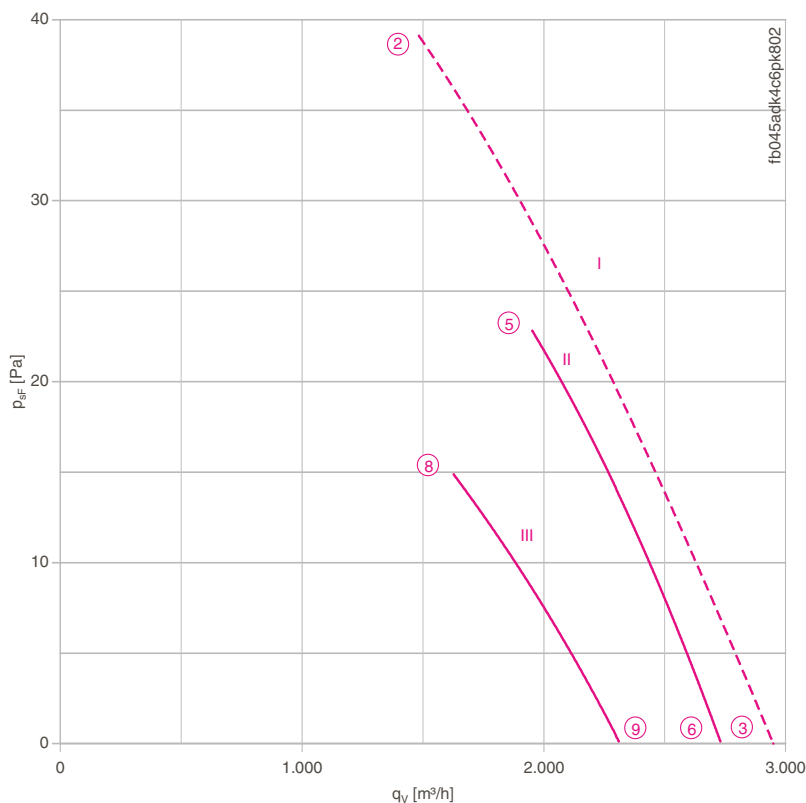
FBO45-AD



Description

Motor technology: AC
 Rated voltage U_N : 3- 400 V (Δ/Y) ± 10 %*
 Rated frequency f_N : 50 Hz* (60Hz data available)
 Motor input power P_1 : 0.07/0.05 kW*
 Rated current I_N : 0.17/0.09 A*
 Rated speed n_N : 660/510 min⁻¹*
 Starting current I_s : 0.42 A / 0.13 A
 Current increase ΔI : 0 %
 Thermal class: THCL155*
 Min. permitted conveyor temperature $t_{R(min)}$: -40 °C
 Max. permitted conveyor temperature $t_{R(max)}$: 70 °C
 Electrical connection: Terminal box
 Number of blades: 4
 Protection class: IP54
 Motor protection: Thermal contact
 Blades: Aluminium, uncoated
 Rotor: Aluminium, uncoated
 Conformity: CE
ErP Data
 Is not subject to the ErP Guidelines ($P_1 < 125$ W)
 * Rated data

Characteristic curve

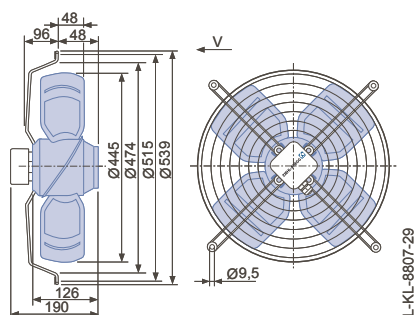


I) Measured in full bell mouth without guard grille in installation type A according to ISO 5801.
 II-x) Measured in short-bell mouth with compressed side contact protection.

- Connection diagram 1360-108XA Page 608
- System components Page 524

Dimensions [mm]

← Airflow direction V
 Design K - axial bolted, mounted for short bell mouth E



Performance data

Type	Connection	Characteristic curve	Voltage	Operating point	Current	Motor input power	Speed	Suction side sound power level
			U [V]					
FB045-AD_4C.V4P	Δ	I	400*	②	0.17*	73*	660*	
			400	③	0.14	44	710	61
		II	400	⑤	0.16	63	680	57
	Y	III	400	⑥	0.15	56	690	56
			400	⑧	0.08	45	520	52
		400	⑨	0.07	36	590	53	

*rated data

Fan ordering information

← Airflow direction V

Design K



Type FB045-ADK.4C.V4P
Article no. 124179
Weight [kg] 7.70

Control technology

<p>Frequency inverter Fcontrol 3~</p>  <p>➤ Page 558</p>	<p>Motor protection units 3~</p>  <p>➤ Page 596</p>	<p>Transformer-based controllers 3~</p>  <p>➤ Page 591</p>	<p>Electronic voltage controllers 3~</p>  <p>➤ Page 578</p>
--	---	--	---

FB

for single phase alternating current, 4 pole

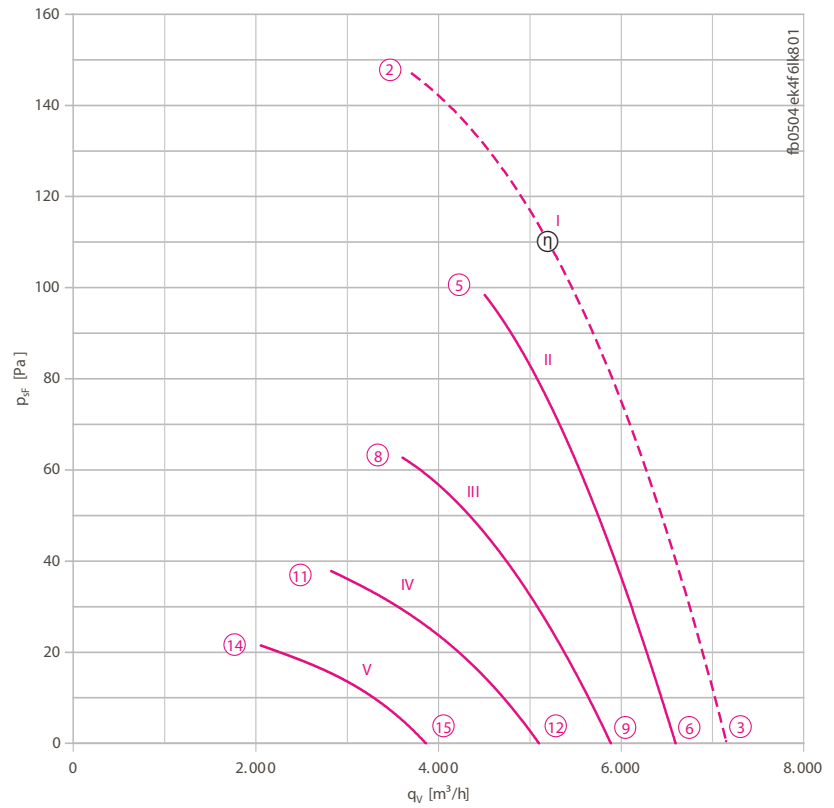
FBO50-4E



Description

Motor technology: AC
 Rated voltage U_N : 1~ 230 V \pm 10 %*
 Rated frequency f_N : 50 Hz*
 Motor input power P_1 : 0.57 kW*
 Rated current I_N : 2.50 A*
 Rated speed n_N : 1240 min⁻¹*
 Starting current I_s : 4.60 A
 Current increase ΔI : 0 %
 Service capacitor C_{400V} : 10.0 μ F
 Thermal class: **THCL155***
 Min. permitted conveyor temperature $t_{R(min)}$: -25 °C
 Max. permitted conveyor temperature $t_{R(max)}$: 60 °C
 Electrical connection: Terminal box
 Number of blades: 4
 Protection class: IP54
 Motor protection: Thermal contact
 Blades: Aluminium, uncoated
 Rotor: Aluminium, uncoated
 Conformity: ErP 2015, CE
ErP Data
 Efficiency η_{statA} : 31.0 %
 Efficiency: $N_{actual} = 41.1 / N_{target} = 40$ **
 Frequency inverter required
 * Rated data
 **ErP 2015

Characteristic curve

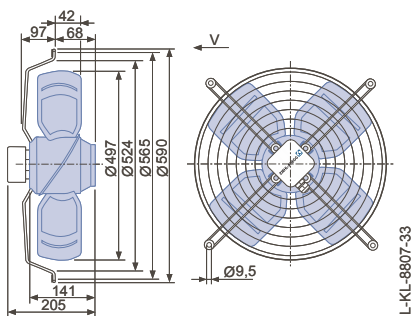


I) Measured in full bell mouth without guard grille in installation type A according to ISO 5801.
 II-x) Measured in short-bell mouth with compressed side contact protection.

- Connection diagram 1360-104XA Page 608
- System components Page 524

Dimensions [mm]

← Airflow direction V
 Design K - axial bolted, mounted for short bell mouth E



Performance data


Type	Characteristic curve	Voltage	Operating point	Current	Motor input power	Speed	Suction side sound power level L_{WA5} [dB]	Max. permitted media temperature t_R [°C]
		U [V]		I [A]	P_1 [W]	n [min ⁻¹]		
FB050-4E_4F.V4L	I	230*	②	2.50*	570*	1240*		60
		230	③	1.80	380	1360	75	
	II	230	⑤	2.20	490	1300	75	70
		230	⑥	1.75	390	1370	76	
	III	160	⑧	2.30	350	1060	70	
		160	⑨	1.80	290	1220	73	
	IV	130	⑪	2.20	270	810	64	
		130	⑫	1.90	240	1050	69	
	V	105	⑭	1.90	190	610	57	
		105	⑮	1.80	180	790	62	

*rated data

Fan ordering information





Airflow direction V

Design K



Type **FB050-4EK.4F.V4L**
Article no. **107779**
Weight [kg] 9.50

Control technology

<p>Frequency inverter Fcontrol 1~</p>  <p>Page 552</p>	<p>Motor protection units 1~</p>  <p>Page 596</p>	<p>Transformer-based controllers 1~</p>  <p>Page 587</p>	<p>Electronic voltage controllers 1~</p>  <p>Page 562</p>
---	--	---	---

FB

for single phase alternating current, 4 pole

FBO50-4E



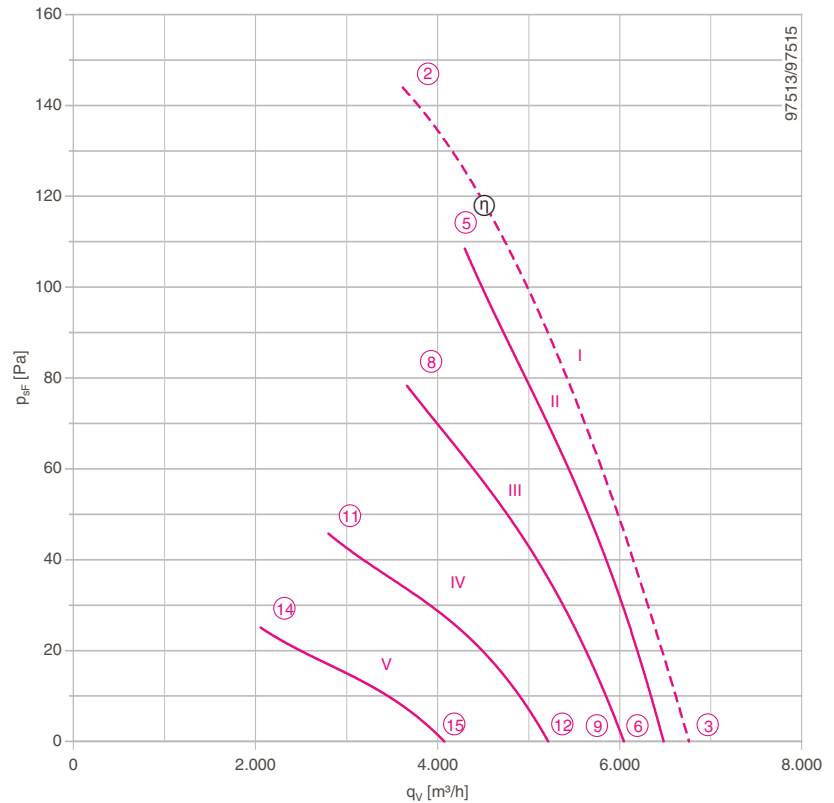
Description

Motor technology: AC
 Rated voltage U_N : 1~ 230 V±10 %*
 Rated frequency f_N : 50 Hz* (60Hz data available)
 Motor input power P_1 : 0.45 kW*
 Rated current I_N : 2.10 A*
 Rated speed n_N : 1300 min⁻¹*
 Current increase ΔI : 10 %
 Service capacitor C_{400V} : 8.0 µF
 Thermal class: THCL155*
 Min. permitted conveyor temperature $t_{R(min)}$: -25 °C
 Max. permitted conveyor temperature $t_{R(max)}$: 70 °C
 Electrical connection: Terminal box
 Number of blades: 4
 Protection class: IP54
 Motor protection: Thermal contact
 Blades: Aluminium, uncoated
 Rotor: Aluminium, uncoated
 Conformity: ErP 2015, CE

ErP Data

Efficiency η_{statA} : 35.5 %
 Efficiency: $N_{actual} = 44.2 / N_{target} = 40$ **
 * Rated data
 **ErP 2015

Characteristic curve

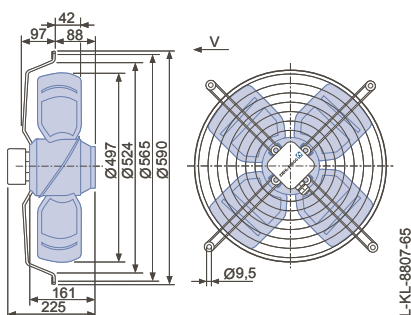


I) Measured in full bell mouth without guard grille in installation type A according to ISO 5801.
 II-x) Measured in short-bell mouth with compressed side contact protection.

- Connection diagram 1360-104XA Page 608
- System components Page 524

Dimensions [mm]

← Airflow direction V
 Design K - axial bolted, mounted for short bell mouth E



Performance data


Type	Characteristic curve	Voltage	Operating point	Current	Motor input power	Speed	Suction side sound power level
		U [V]		I [A]	P ₁ [W]	n [min ⁻¹]	L _{WAS} [dB]
FB050-4E_4I.V4L	I	230*	②	2.20*	460*	1290*	81
		230	③	1.40	300	1390	79
	II	230	⑤	1.95	420	1320	75
		230	⑥	1.45	310	1380	75
	III	170	⑧	2.20	350	1130	72
		170	⑨	1.60	260	1290	73
	IV	135	⑪	2.20	270	860	65
		135	⑫	1.75	220	1110	69
	V	110	⑭	1.95	190	640	59
		110	⑮	1.80	180	860	63

*rated data

Fan ordering information

Airflow direction V



Design K



Type FB050-4EK.4I.V4L
Article no. 160135

Weight [kg] 12.00

Control technology

<p>Frequency inverter Fcontrol 1~</p>  <p>➤ Page 552</p>	<p>Motor protection units 1~</p>  <p>➤ Page 596</p>	<p>Transformer-based controllers 1~</p>  <p>➤ Page 587</p>	<p>Electronic voltage controllers 1~</p>  <p>➤ Page 562</p>
---	--	---	--

FB

for single phase alternating current, 6 pole

FBO50-6E



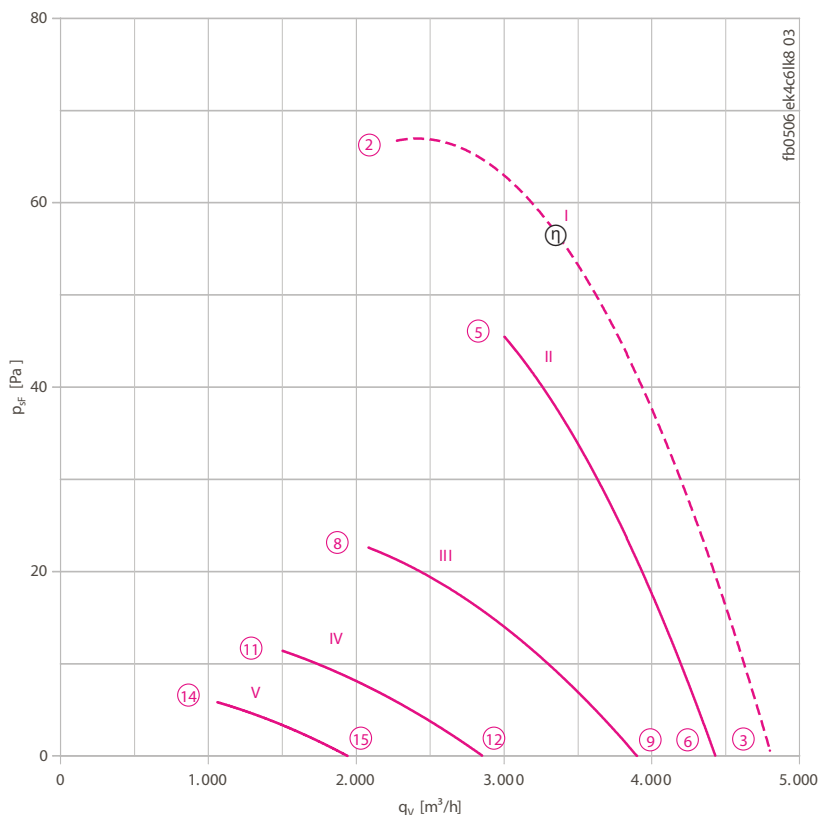
Description

Motor technology: AC
 Rated voltage U_N : 1~ 230 V \pm 10 %*
 Rated frequency f_N : 50 Hz*
 Motor input power P_1 : 0.21 kW*
 Rated current I_N : 0.95 A*
 Rated speed n_N : 850 min⁻¹*
 Starting current I_s : 1.70 A
 Current increase ΔI : 5 %
 Service capacitor C_{400V} : 5.0 μ F
 Thermal class: **THCL155***
 Min. permitted conveyor temperature $t_{R(min)}$: -25 °C
 Max. permitted conveyor temperature $t_{R(max)}$: 70 °C
 Electrical connection: Terminal box
 Number of blades: 4
 Protection class: IP54
 Motor protection: Thermal contact
 Blades: Aluminium, uncoated
 Rotor: Aluminium, uncoated
 Conformity: ErP 2013, CE

ErP Data

Efficiency η_{statA} : 25.9 %
 Efficiency: $N_{actual} = 37.0 / N_{target} = 36$ **
 * Rated data
 **ErP 2013

Characteristic curve

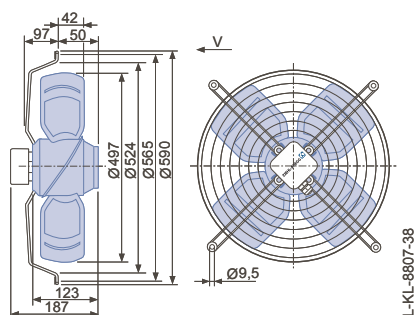


I) Measured in full bell mouth without guard grille in installation type A according to ISO 5801.
 II-x) Measured in short-bell mouth with compressed side contact protection.

- Connection diagram 1360-104XA Page 608
- System components Page 524

Dimensions [mm]

Airflow direction V
 Design K - axial bolted, mounted for short bell mouth E



Performance data


Type	Characteristic curve	Voltage	Operating point	Current	Motor input power	Speed	Suction side sound power level
		U [V]		I [A]	P ₁ [W]	n [min ⁻¹]	L _{WAS} [dB]
FB050-6E_4C.V4L	I	230*	②	0.96*	200*	820*	
		230	③	0.77	160	900	64
	II	230	⑤	0.83	175	880	66
		230	⑥	0.71	145	920	65
	III	160	⑧	0.85	125	630	56
		160	⑨	0.69	105	800	62
	IV	130	⑪	0.76	85	420	57
		130	⑫	0.71	82	590	56
	V	105	⑭	0.62	56	320	
		105	⑮	0.61	55	410	

*rated data

Fan ordering information

Airflow direction V

Design K



Type **FB050-6EK.4C.V4L**
Article no. **124189**

Weight [kg] 8.10

Control technology

<p>Frequency inverter Fcontrol 1~</p>  <p>➤ Page 552</p>	<p>Motor protection units 1~</p>  <p>➤ Page 596</p>	<p>Transformer-based controllers 1~</p>  <p>➤ Page 587</p>	<p>Electronic voltage controllers 1~</p>  <p>➤ Page 562</p>
---	--	---	---

FB

for single phase alternating current, 6 pole

FBO50-6E



Description

Motor technology: AC
 Rated voltage U_N : 1~ 230 V \pm 10 %*
 Rated frequency f_N : 50 Hz*
 Motor input power P_1 : 0.29 kW*
 Rated current I_N : 1.30 A*
 Rated speed n_N : 920 min⁻¹*
 Starting current I_A : 2.20 A
 Current increase ΔI : 0 %
 Service capacitor C_{400V} : 8.0 μ F
 Thermal class: **THCL155***
 Min. permitted conveyor temperature $t_{R(min)}$: -25 °C
 Max. permitted conveyor temperature $t_{R(max)}$: 70 °C
 Electrical connection: Terminal box
 Number of blades: 4
 Protection class: IP54
 Motor protection: Thermal contact
 Blades: Aluminium, uncoated
 Rotor: Aluminium, uncoated
 Conformity: ErP 2013, CE

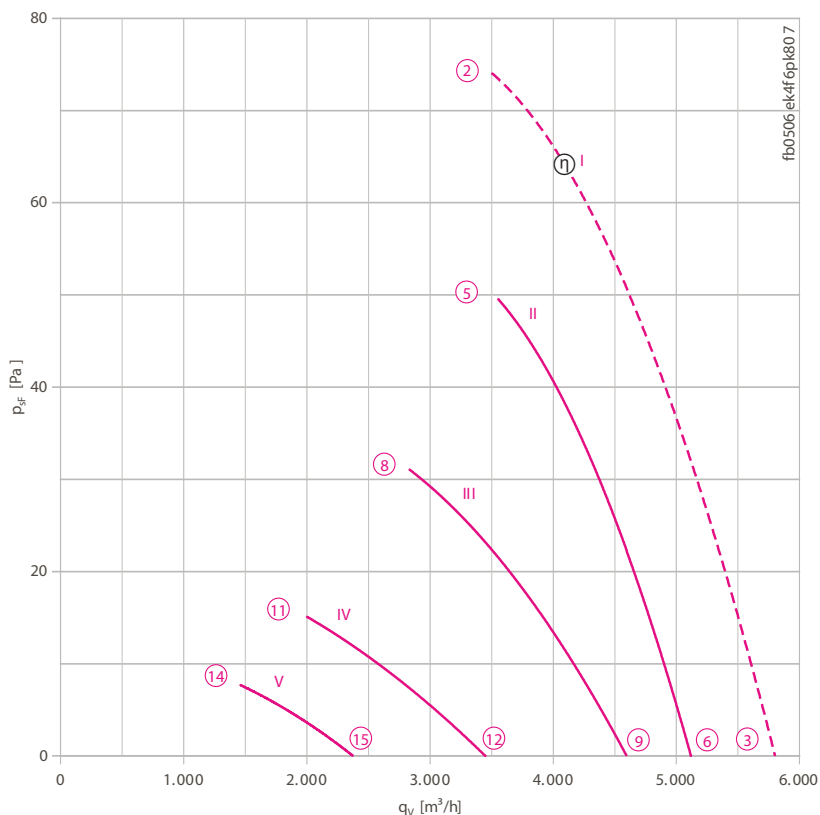
ErP Data

Efficiency η_{statA} : 27.1 %
 Efficiency: $N_{actual} = 37.4 / N_{target} = 36$ **

* Rated data

**ErP 2013

Characteristic curve



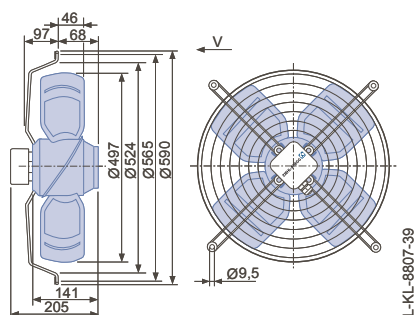
I) Measured in full bell mouth without guard grille in installation type A according to ISO 5801.
 II-x) Measured in short-bell mouth with compressed side contact protection.

- Connection diagram 1360-104XA Page 608
- System components Page 524

Dimensions [mm]

Airflow direction V

Design K - axial bolted, mounted for short bell mouth E



Performance data


Type	Characteristic curve	Voltage	Operating point	Current	Motor input power	Speed	Suction side sound power level
		U [V]		I [A]	P ₁ [W]	n [min ⁻¹]	L _{WAS} [dB]
FB050-6E_4F.V4P	I	230*	②	1.25*	280*	870*	
		230	③	0.96	210	930	69
	II	230	⑤	1.05	230	910	69
		230	⑥	0.92	200	930	68
	III	160	⑧	1.15	170	740	63
		160	⑨	0.96	145	830	65
	IV	130	⑪	1.10	125	490	57
		130	⑫	1.05	120	630	58
	V	105	⑭	0.90	83	370	
		105	⑮	0.89	82	440	

*rated data

Fan ordering information

Airflow direction V



Design K



Type **FB050-6EK.4F.V4P**
Article no. **124190**

Weight [kg] 9.50

Control technology

<p>Frequency inverter Fcontrol 1~</p>  <p>➤ Page 552</p>	<p>Motor protection units 1~</p>  <p>➤ Page 596</p>	<p>Transformer-based controllers 1~</p>  <p>➤ Page 587</p>	<p>Electronic voltage controllers 1~</p>  <p>➤ Page 562</p>
---	--	---	--

FB

for single phase alternating current, 6 pole

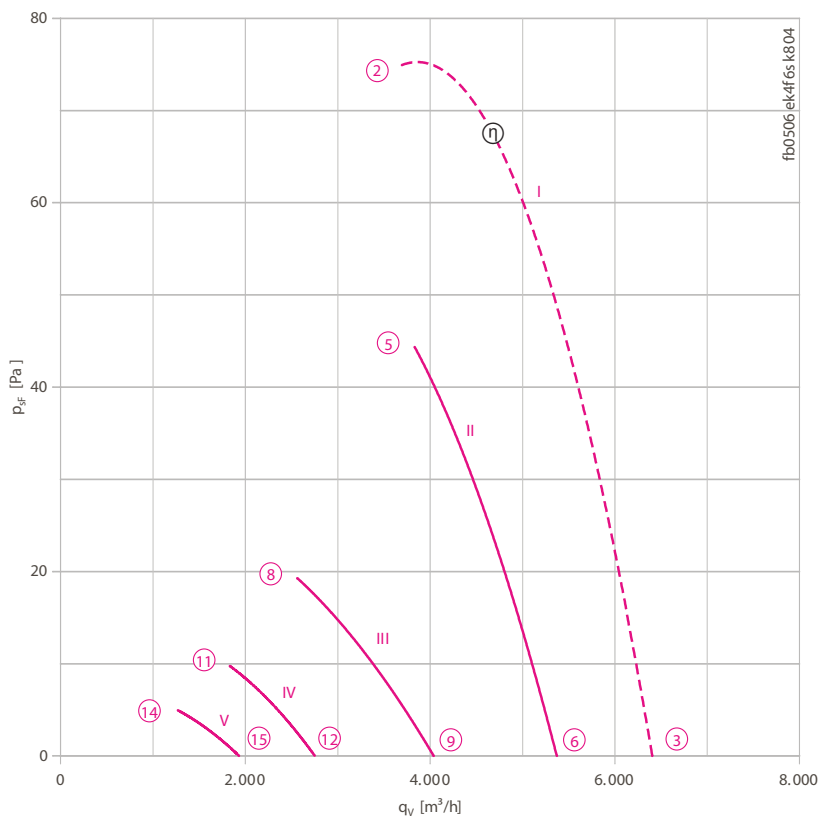
FBO50-6E



Description

Motor technology: AC
 Rated voltage U_N : 1~ 230 V \pm 10 %*
 Rated frequency f_N : 50 Hz*
 Motor input power P_1 : 0.29 kW*
 Rated current I_N : 1.35 A*
 Rated speed n_N : 850 min⁻¹*
 Starting current I_s : 2.20 A
 Current increase ΔI : 0 %
 Service capacitor C_{400V} : 8.0 μ F
 Thermal class: **THCL155***
 Min. permitted conveyor temperature $t_{R(min)}$: -25 °C
 Max. permitted conveyor temperature $t_{R(max)}$: 65 °C
 Electrical connection: Terminal box
 Number of blades: 4
 Protection class: IP54
 Motor protection: Thermal contact
 Blades: Aluminium, uncoated
 Rotor: Aluminium, uncoated
 * Rated data

Characteristic curve

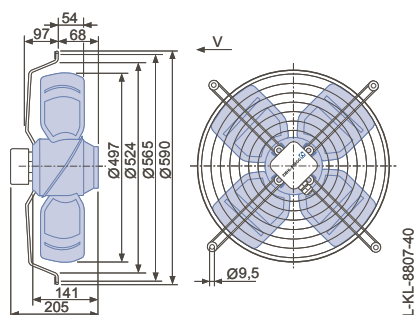


I) Measured in full bell mouth without guard grille in installation type A according to ISO 5801.
 II-x) Measured in short-bell mouth with compressed side contact protection.

- Connection diagram 1360-104XA Page 608
- System components Page 524

Dimensions [mm]

Airflow direction V
 Design K - axial bolted, mounted for short bell mouth E



Performance data

Type	Characteristic curve	Voltage	Operating point	Current	Motor input power	Speed	Suction side sound power level L_{WA5} [dB]	Max. permitted media temperature t_R [°C]
		U [V]		I [A]	P_1 [W]	n [min ⁻¹]		
FB050-6E_4F.V4S	I	230*	②	1.35*	290*	850*		65
		230	③	1.15	250	900	72	
	II	230	⑤	1.20	270	880	70	70
		230	⑥	1.10	240	910	70	
	III	160	⑧	1.30	190	570	59	
		160	⑨	1.25	180	670	62	
	IV	130	⑪	1.10	130	410	55	
		130	⑫	1.10	125	460	55	
	V	105	⑭	0.91	83	280		
		105	⑮	0.90	82	340		

*rated data

Fan ordering information

Airflow direction V

Design K




Type **FB050-6EK.4F.V4S**

Article no. **124191**

Weight [kg] 9.50

Control technology

<p>Frequency inverter Fcontrol 1~</p>  <p>Page 552</p>	<p>Motor protection units 1~</p>  <p>Page 596</p>	<p>Transformer-based controllers 1~</p>  <p>Page 587</p>	<p>Electronic voltage controllers 1~</p>  <p>Page 562</p>
---	--	---	---

FB

for single phase alternating current, 8 pole

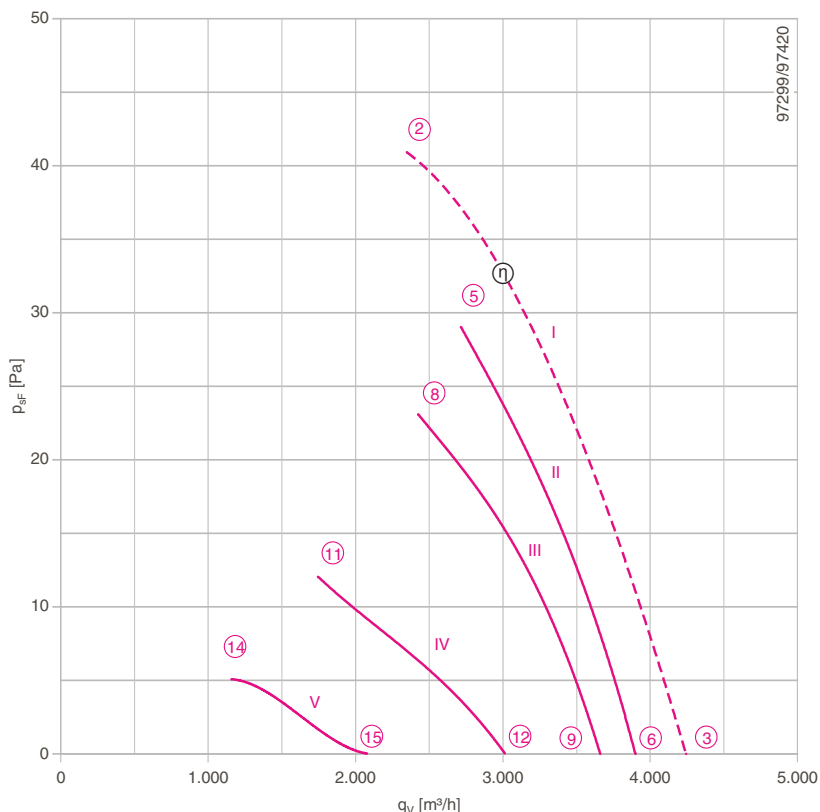
FBO50-8E



Description

Motor technology: AC
 Rated voltage U_N : 1~ 230 V±10 %*
 Rated frequency f_N : 50 Hz* (60Hz Daten verfügbar)
 Motor input power P_1 : 0.15 kW*
 Rated current I_N : 0.66 A*
 Rated speed n_N : 670 min⁻¹*
 Starting current I_s : 0.90 A
 current increase ΔI : 0 %
 Service capacitor C_{400V} : 3.0 μF
 Thermal class: **THCL155***
 Min. permitted conveyor temperature $t_{R(min)}$: -25 °C
 Maximum permitted conveyor temperature $t_{R(max)}$: 70 °C
 Electrical connection: Terminal box
 Number of blades: 4
 Protection class: IP54
 Motor protection: Thermostat (TB)
 Blades: Blades made of aluminium, uncoated
 Rotor: Aluminium, uncoated
 conformity: CE
 * Rating plate data

Characteristic curve

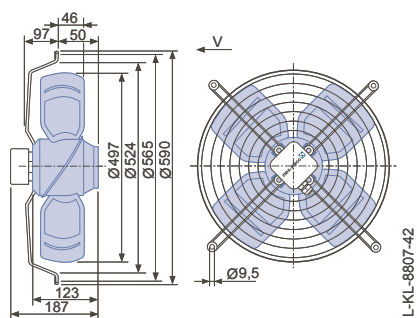


I) Measured in full bell mouth without guard grille in installation type A according to ISO 5801.
 II-x) Measured in short-bell mouth with compressed side contact protection.

- Connection diagram 1360-104XA Page 608
- System components Page 524

Dimensions [mm]

Airflow direction V
 Design K - axial bolted, mounted for short bell mouth E



Performance data

Type	Characteristic curve	Voltage	Operating point	Current	Motor input power	Speed	Suction side sound power level
		U [V]		I [A]	P ₁ [W]	n [min ⁻¹]	L _{WAS} [dB]
FB050-8E_4C_4P	I	230*	②	0.64*	130*	680*	67
		230	③	0.56	110	710	64
	II	230	⑤	0.62	120	690	63
		230	⑥	0.58	120	700	61
	III	170	⑧	0.60	95	620	59
		170	⑨	0.52	85	660	58
	IV	135	⑪	0.64	75	440	52
		135	⑫	0.56	70	540	54
	V	110	⑭	0.56	50	300	46
		110	⑮	0.54	50	370	47

*rated data

Fan ordering information

Airflow direction V

Design K



Type **FB050-8EK.4C.V4P**
Article no. **160129**

Weight [kg] 8.10

Control technology

<p>Frequency inverter Fcontrol 1~</p>  <p>➤ Page 552</p>	<p>Motor protection units 1~</p>  <p>➤ Page 596</p>	<p>Transformer-based controllers 1~</p>  <p>➤ Page 587</p>	<p>Electronic voltage controllers 1~</p>  <p>➤ Page 562</p>
---	--	---	---

FB

for three phase alternating current, 4-4 pole

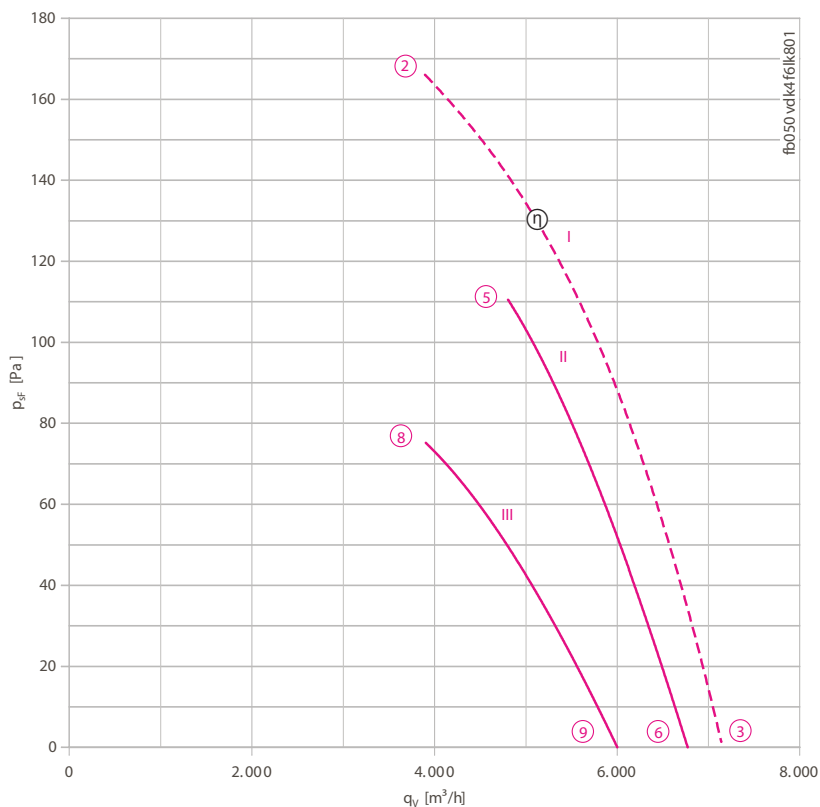
FBO50-VD



Description

Motor technology: AC
 Rated voltage U_N : 3- 400 V (Δ/Y) ± 10 %*
 Rated frequency f_N : 5 Hz*
 Motor input power P_1 : 0.58/0.44 kW*
 Rated current I_N : 1.05/0.71 A*
 Rated speed n_N : 1350/1030 min⁻¹
 Starting current I_s : 4.00 A / 1.20 A
 Current increase ΔI : 10 %
 Thermal class: THCL155*
 Min. permitted conveyor temperature $t_{R(min)}$: -40 °C
 Max. permitted conveyor temperature $t_{R(max)}$: 55 °C
 Electrical connection: Terminal box
 Number of blades: 4
 Protection class: IP54
 Motor protection: Thermal contact
 Blades: Aluminium, uncoated
 Rotor: Aluminium, uncoated
 Conformity: ErP 2015, CE
ErP Data
 Efficiency η_{statA} : 37.7 %
 Efficiency: $N_{actual} = 46.1 / N_{target} = 40$ **
 * Rated data
 **ErP 2015

Characteristic curve

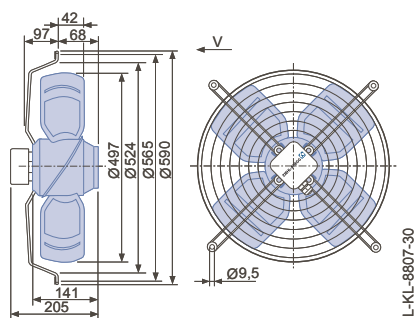


I) Measured in full bell mouth without guard grille in installation type A according to ISO 5801.
 II-x) Measured in short-bell mouth with compressed side contact protection.

- Connection diagram 1360-108XA Page 608
- System components Page 524

Dimensions [mm]

Airflow direction V
 Design K - axial bolted, mounted for short bell mouth E



Performance data


Type	Connection	Characteristic curve	Voltage	Operating point	Current	Motor input power	Speed	Suction side sound power level	Max. permitted media temperature
			U [V]						
FB050-VD_4F.V4L	Δ	I	400*	②	1.05*	580*	1350*		55
			400	③	0.88	360	1410	76	
			400	⑤	0.98	480	1380	76	70
	Y	II	400	⑥	0.85	350	1420	76	
			400	⑧	0.62	360	1130	72	
			400	⑨	0.48	280	1260	73	

*rated data

Fan ordering information




Design K



Type **FB050-VDK.4F.V4L**
Article no. **124186**

Weight [kg] 9.50

Control technology

<p>Frequency inverter Fcontrol 3~</p>  <p>Page 558</p>	<p>Motor protection units 3~</p>  <p>Page 596</p>	<p>Transformer-based controllers 3~</p>  <p>Page 591</p>	<p>Electronic voltage controllers 3~</p>  <p>Page 578</p>
---	--	---	--

FB

for three phase alternating current, 4-4 pole

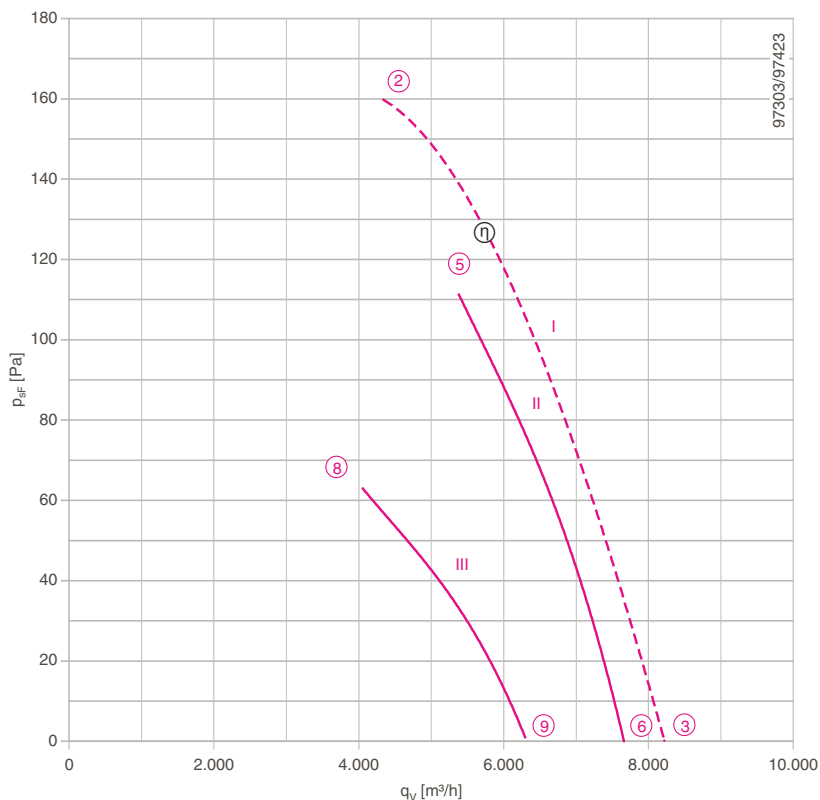
FBO50-VD



Description

Motor technology: AC
 Rated voltage U_N : 3- 400 V (Δ/Y) ± 10 %*
 Rated frequency f_N : 50 Hz*
 Motor input power P_1 : 0.65/0.44 kW*
 Rated current I_N : 1.15/0.77 A*
 Rated speed n_N : 1340/ 960 min^{-1} *
 Starting current I_s : 5.10 A / 1.70 A
 Current increase ΔI : 15 %
 Thermal class: THCL155*
 Min. permitted conveyor temperature $t_{R(\text{min})}$: -40 °C
 Max. permitted conveyor temperature $t_{R(\text{max})}$: 70 °C
 Electrical connection: Terminal box
 Number of blades: 4
 Protection class: IP54
 Motor protection: Thermal contact
 Blades: Aluminium, uncoated
 Rotor: Aluminium, uncoated
 Conformity: ErP 2015, CE
ErP Data
 Efficiency η_{statA} : 34.6 %
 Efficiency: $N_{\text{actual}} = 42.4 / N_{\text{target}} = 40$ **
 * Rated data
 **ErP 2015

Characteristic curve

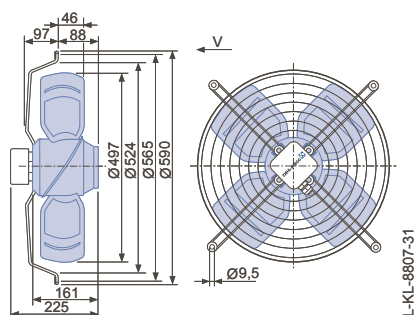


I) Measured in full bell mouth without guard grille in installation type A according to ISO 5801.
 II-x) Measured in short-bell mouth with compressed side contact protection.

- Connection diagram 1360-108XA Page 608
- System components Page 524

Dimensions [mm]

← Airflow direction V
 Design K - axial bolted, mounted for short bell mouth E



Performance data


Type	Connection	Characteristic curve	Voltage	Operating point	Current	Motor input power	Speed	Suction side sound power level
			U [V]		I [A]	P ₁ [W]	n [min ⁻¹]	L _{WA5} [dB]
FB050-VD_4I_4P	Δ	I	400*	②	1.15*	660*	1340*	84
			400	③	0.84	420	1410	77
		II	400	⑤	1.05	600	1360	79
	Y	III	400	⑥	0.90	460	1400	77
			400	⑧	0.74	420	1030	73
		400	⑨	0.64	370	1140	72	

*rated data

Fan ordering information

← Airflow direction V

Design K



Type FB050-VDK.4I.V4P
Article no. 210543
Weight [kg] 11.30

Control technology

<p>Frequency inverter Fcontrol 3~</p>  <p>➤ Page 558</p>	<p>Motor protection units 3~</p>  <p>➤ Page 596</p>	<p>Transformer-based controllers 3~</p>  <p>➤ Page 591</p>	<p>Electronic voltage controllers 3~</p>  <p>➤ Page 578</p>
--	---	--	---

FB

for three phase alternating current, 4-4 pole

FBO50-VD



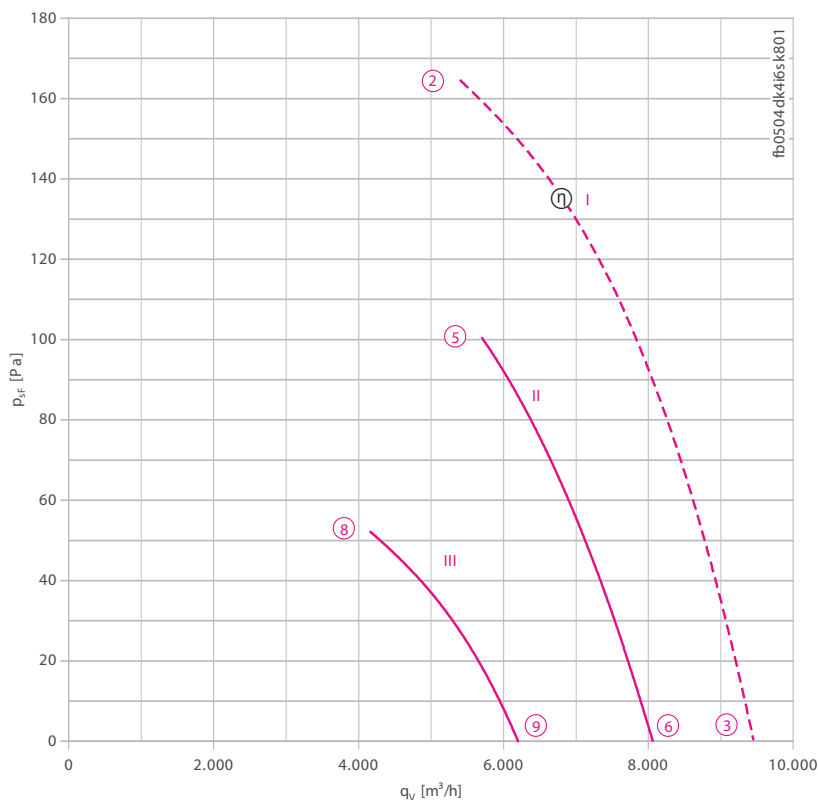
Description

Motor technology: AC
 Rated voltage U_N : 3- 400 V (Δ/Y) ± 10 %*
 Rated frequency f_N : 5 Hz*
 Motor input power P_1 : 0.82/0.55 kW*
 Rated current I_N : 1.50/0.95 A*
 Rated speed n_N : 1330/1030 min⁻¹
 Starting current I_s : 5.70 A / 1.90 A
 Current increase ΔI : 10 %
 Thermal class: THCL155*
 Min. permitted conveyor temperature $t_{R(min)}$: -40 °C
 Max. permitted conveyor temperature $t_{R(max)}$: 50 °C
 Electrical connection: Terminal box
 Number of blades: 4
 Protection class: IP54
 Motor protection: Thermal contact
 Blades: Aluminium, uncoated
 Rotor: Aluminium, uncoated
 Conformity: ErP 2013, CE

ErP Data

Efficiency η_{statA} : 29.9 %
 Efficiency: $N_{actual} = 37.0 / N_{target} = 36$ **
 * Rated data
 **ErP 2013

Characteristic curve

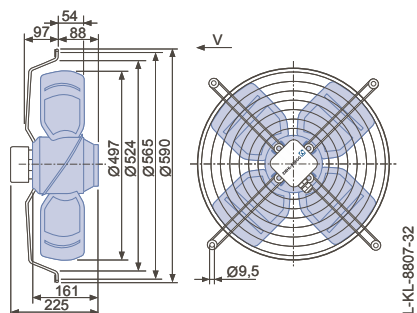


I) Measured in full bell mouth without guard grille in installation type A according to ISO 5801.
 II-x) Measured in short-bell mouth with compressed side contact protection.

- Connection diagram 1360-108XA Page 608
- System components Page 524

Dimensions [mm]

← Airflow direction V
 Design K - axial bolted, mounted for short bell mouth E



Performance data


Type	Connection	Characteristic curve	Voltage	Operating point	Current	Motor input power	Speed	Suction side sound power level	Max. permitted media temperature
			U [V]						
FB050-VD_4I.V4S	Δ	I	400*	②	1.50*	820*	1330*		50
			400	③	1.35	690	1360	83	
		II	400	⑤	1.30	720	1340	81	
	400		⑥	1.15	630	1360	80		
	Y	III	400	⑧	0.88	500	980	72	
			400	⑨	0.79	460	1040	73	

*rated data

Fan ordering information



Design K



Type FB050-VDK.4I.V4S
Article no. 107557

Weight [kg] 11.30

Control technology

<p>Frequency inverter Fcontrol 3~</p>  <p>Page 558</p>	<p>Motor protection units 3~</p>  <p>Page 596</p>	<p>Transformer-based controllers 3~</p>  <p>Page 591</p>	<p>Electronic voltage controllers 3~</p>  <p>Page 578</p>
---	--	---	--

FB

for three phase alternating current, 6-6 pole

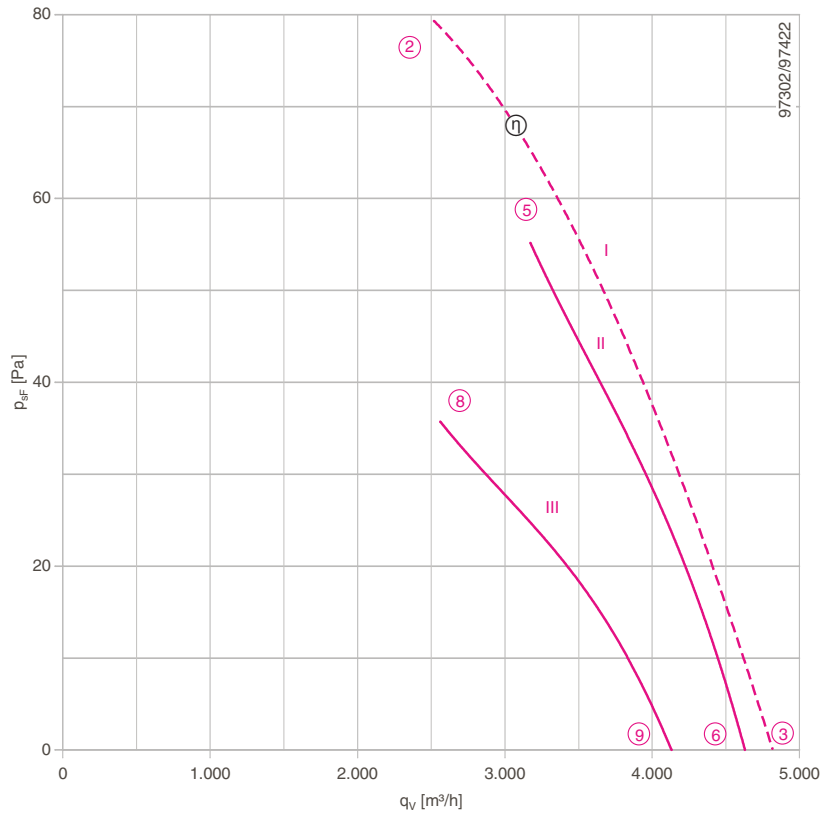
FBO50-SD



Description

Motor technology: AC
 Rated voltage U_N : 3- 400 V (Δ/Y) ± 10 %*
 Rated frequency f_N : 50 Hz*
 Motor input power P_1 : 0.21/0.14 kW*
 Rated current I_N : 0.56/0.28 A*
 Rated speed n_N : 920/ 730 min⁻¹*
 Starting current I_s : 1.50 A / 0.46 A
 Current increase ΔI : 0 %
 Thermal class: THCL155*
 Min. permitted conveyor temperature $t_{R(min)}$: -40 °C
 Max. permitted conveyor temperature $t_{R(max)}$: 70 °C
 Electrical connection: Terminal box
 Number of blades: 4
 Protection class: IP54
 Motor protection: Thermal contact
 Blades: Aluminium, uncoated
 Rotor: Aluminium, uncoated
 Conformity: ErP 2015, CE
ErP Data
 Efficiency η_{statA} : 29.6 %
 Efficiency: $N_{actual} = 40.3 / N_{target} = 40$ **
 * Rated data
 **ErP 2015

Characteristic curve

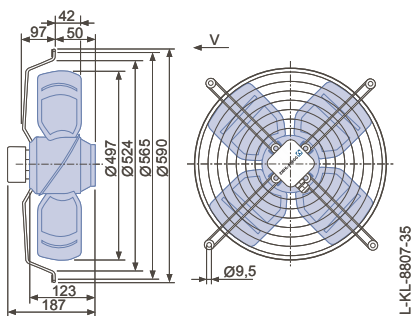


I) Measured in full bell mouth without guard grille in installation type A according to ISO 5801.
 II-x) Measured in short-bell mouth with compressed side contact protection.

- Connection diagram 1360-108XA Page 608
- System components Page 524

Dimensions [mm]

Airflow direction V
 Design K - axial bolted, mounted for short bell mouth E



Performance data


Type	Connection	Characteristic curve	Voltage	Operating point	Current	Motor input power	Speed	Suction side sound power level
			U [V]					
FB050-SD_4C_4L	Δ	I	400*	②	0.56*	220*	920*	73
			400	③	0.52	140	960	71
			400	⑤	0.54	190	930	67
	Y	III	400	⑥	0.52	150	950	66
			400	⑧	0.27	130	750	61
			400	⑨	0.21	100	850	62

*rated data

Fan ordering information

← Airflow direction V

Design K



Type FB050-SDK.4C.V4L
Article no. 124187
Weight [kg] 8.10

Control technology

<p>Frequency inverter Fcontrol 3~</p>  <p>➤ Page 558</p>	<p>Motor protection units 3~</p>  <p>➤ Page 596</p>	<p>Transformer-based controllers 3~</p>  <p>➤ Page 591</p>	<p>Electronic voltage controllers 3~</p>  <p>➤ Page 578</p>
--	---	--	---

FB

for three phase alternating current, 6-6 pole

FBO50-SD



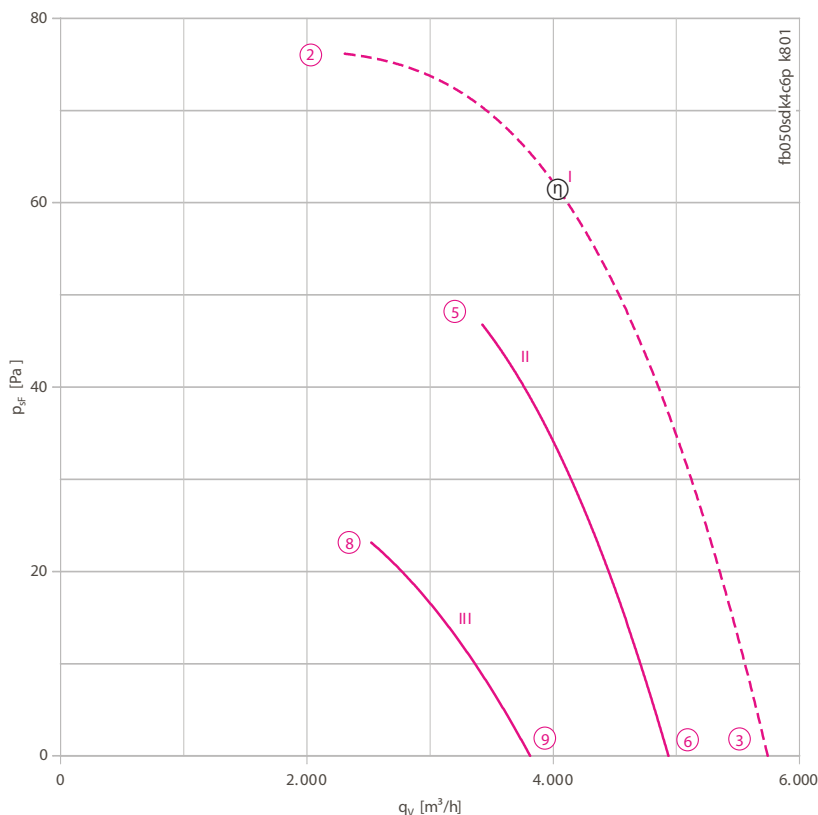
Description

Motor technology: AC
 Rated voltage U_N : 3- 400 V (Δ/Y) ± 10 %*
 Rated frequency f_N : 50 Hz*
 Motor input power P_1 : 0.24/0.14 kW*
 Rated current I_N : 0.55/0.29 A*
 Rated speed n_N : 880/ 620 min⁻¹*
 Starting current I_A : 1.50 A / 0.46 A
 Current increase ΔI : 0 %
 Thermal class: **THCL155***
 Min. permitted conveyor temperature $t_{R(min)}$: -40 °C
 Max. permitted conveyor temperature $t_{R(max)}$: 70 °C
 Electrical connection: Terminal box
 Number of blades: 4
 Protection class: IP54
 Motor protection: Thermal contact
 Blades: Aluminium, uncoated
 Rotor: Aluminium, uncoated
 Conformity: ErP 2013, CE

ErP Data

Efficiency η_{statA} : 25.9 %
 Efficiency: $N_{actual} = 36.3 / N_{target} = 36$ **
 * Rated data
 **ErP 2013

Characteristic curve

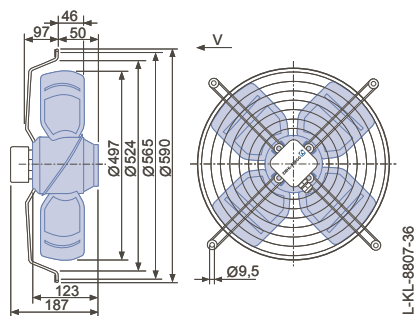


I) Measured in full bell mouth without guard grille in installation type A according to ISO 5801.
 II-x) Measured in short-bell mouth with compressed side contact protection.

- Connection diagram 1360-108XA Page 608
- System components Page 524

Dimensions [mm]

Airflow direction V
 Design K - axial bolted, mounted for short bell mouth E



Performance data


Type	Connection	Characteristic curve	Voltage	Operating point	Current	Motor input power	Speed	Suction side sound power level
			U [V]					
FB050-SD_4C.V4P	Δ	I	400*	②	0.55*	240*	880*	
			400	③	0.49	175	930	69
			400	⑤	0.55	220	890	69
	Y	III	400	⑥	0.52	190	910	67
			400	⑧	0.27	130	630	64
			400	⑨	0.25	120	700	60

*rated data

Fan ordering information

← Airflow direction V

Design K



Type FB050-SDK.4C.V4P
Article no. 210542
Weight [kg] 8.10

Control technology

<p>Frequency inverter Fcontrol 3~</p>  <p>➤ Page 558</p>	<p>Motor protection units 3~</p>  <p>➤ Page 596</p>	<p>Transformer-based controllers 3~</p>  <p>➤ Page 591</p>	<p>Electronic voltage controllers 3~</p>  <p>➤ Page 578</p>
--	---	--	---

FB

for three phase alternating current, 6-6 pole

FBO50-SD



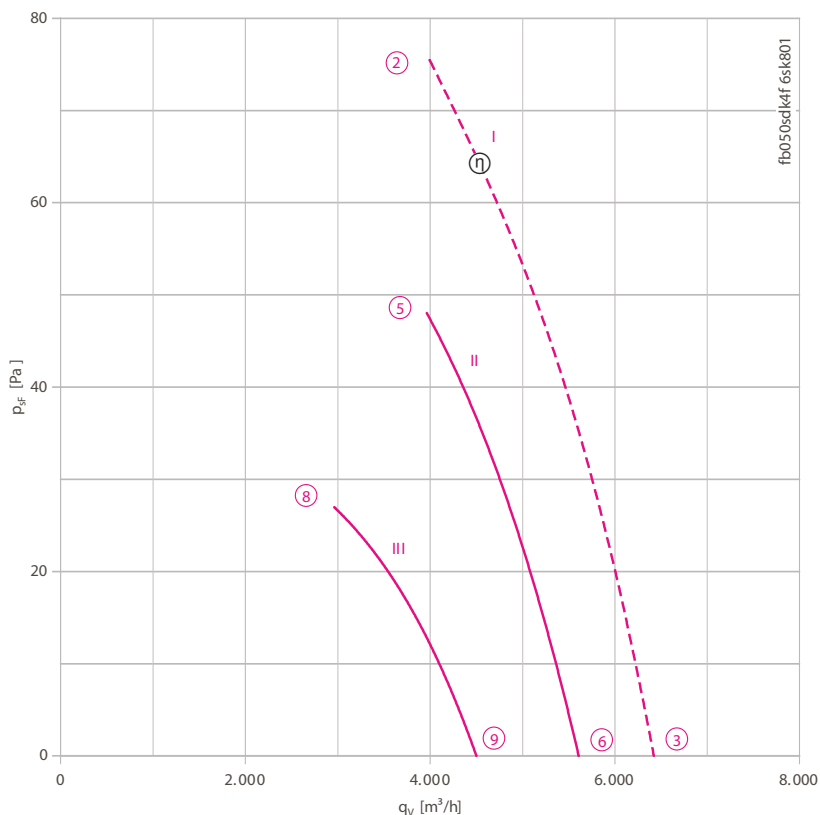
Description

Motor technology: AC
 Rated voltage U_N : 3- 400 V (Δ/Y) ± 10 %*
 Rated frequency f_N : 50 Hz* (60Hz data available)
 Motor input power P_1 : 0.31/0.19 kW*
 Rated current I_N : 0.72/0.39 A*
 Rated speed n_N : 880/ 640 min⁻¹*
 Starting current I_s : 1.80 A / 0.50 A
 Current increase ΔI : 0 %
 Thermal class: **THCL155***
 Min. permitted conveyor temperature $t_{R(min)}$: -40 °C
 Max. permitted conveyor temperature $t_{R(max)}$: 70 °C
 Electrical connection: Terminal box
 Number of blades: 4
 Protection class: IP54
 Motor protection: Thermal contact
 Blades: Aluminium, uncoated
 Rotor: Aluminium, uncoated
 Conformity: ErP 2013, CE

ErP Data

Efficiency η_{statA} : 26.2 %
 Efficiency: $N_{actual} = 36.1 / N_{target} = 36$ **
 * Rated data
 **ErP 2013

Characteristic curve

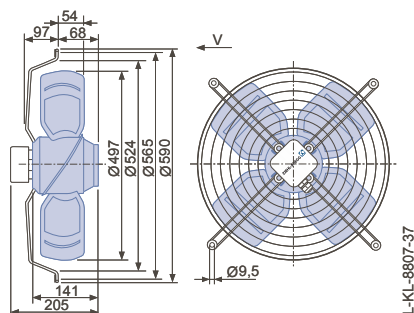


I) Measured in full bell mouth without guard grille in installation type A according to ISO 5801.
 II-x) Measured in short-bell mouth with compressed side contact protection.

- Connection diagram 1360-108XA Page 608
- System components Page 524

Dimensions [mm]

➤ Airflow direction V
 Design K - axial bolted, mounted for short bell mouth E



Performance data

Type	Connection	Characteristic curve	Voltage	Operating point	Current	Motor input power	Speed	Suction side sound power level
			U [V]					
FB050-SD_4F.V4S	Δ	I	400*	②	0.72*	310*	880*	
			400	③	0.63	230	930	73
			400	⑤	0.67	280	910	72
	Y	III	400	⑥	0.64	250	920	71
			400	⑧	0.38	190	700	64
			400	⑨	0.36	175	750	65

*rated data

Fan ordering information

Airflow direction V

Design K



Type **FB050-SDK.4F.V4S**

Article no. **124388**

Weight [kg] 9.50

Control technology

Frequency inverter
Fcontrol 3~



➤ Page 558

Motor protection units
3~



➤ Page 596

Transformer-based
controllers 3~



➤ Page 591

Electronic voltage
controllers 3~



➤ Page 578

Information

FE20wlet
ECblue

FE20wlet

FB

FC

System
components

Control
technology

Appendix

FB

for three phase alternating current, 8-8 pole

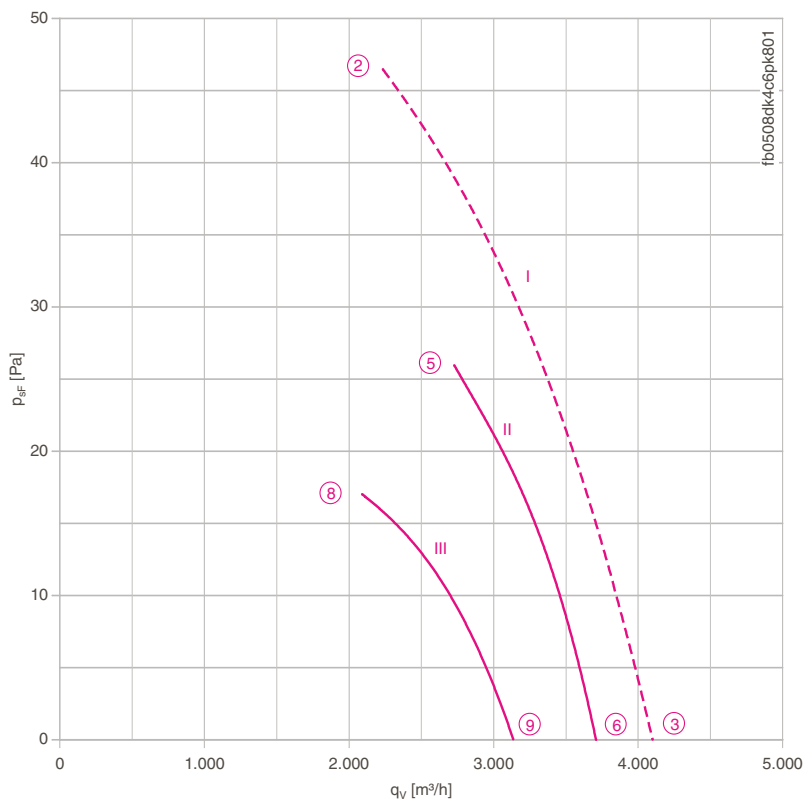
FBO50-AD



Description

Motor technology: AC
 Rated voltage U_N : 3- 400 V (Δ/Y) ± 10 %*
 Rated frequency f_N : 50 Hz*
 Motor input power P_1 : 0.12/0.08 kW*
 Rated current I_N : 0.30/0.15 A*
 Rated speed n_N : 670/520 min⁻¹*
 Starting current I_s : 0.70 A / 0.22 A
 Current increase ΔI : 0 %
 Thermal class: THCL155*
 Min. permitted conveyor temperature $t_{R(min)}$: -40 °C
 Max. permitted conveyor temperature $t_{R(max)}$: 70 °C
 Electrical connection: Terminal box
 Number of blades: 4
 Protection class: IP54
 Motor protection: Thermal contact
 Blades: Aluminium, uncoated
 Rotor: Aluminium, uncoated
 Conformity: CE
ErP Data
 Is not subject to the ErP Guidelines ($P_1 < 125$ W)
 * Rated data

Characteristic curve

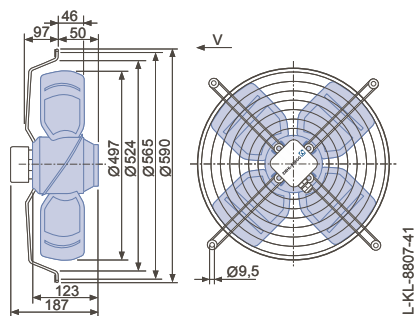


I) Measured in full bell mouth without guard grille in installation type A according to ISO 5801.
 II-x) Measured in short-bell mouth with compressed side contact protection.

- Connection diagram 1360-108XA Page 608
- System components Page 524

Dimensions [mm]

Airflow direction V
 Design K - axial bolted, mounted for short bell mouth E



Performance data


Type	Connection	Characteristic curve	Voltage	Operating point	Current	Motor input power	Speed	Suction side sound power level
			U [V]					
FB050-AD_4C.V4P	Δ	I	400*	②	0.30*	115*	670*	
			400	③	0.26	92	690	62
		II	400	⑤	0.27	105	680	63
	Y	III	400	⑥	0.26	92	690	60
			400	⑧	0.13	66	550	59
		400	⑨	0.11	60	590	57	

*rated data

Fan ordering information

← Airflow direction V

Design K



Type FB050-ADK.4C.V4P
Article no. 124188
Weight [kg] 8.10

Control technology

<p>Frequency inverter Fcontrol 3~</p>  <p>➤ Page 558</p>	<p>Motor protection units 3~</p>  <p>➤ Page 596</p>	<p>Transformer-based controllers 3~</p>  <p>➤ Page 591</p>	<p>Electronic voltage controllers 3~</p>  <p>➤ Page 578</p>
--	---	--	---

FB

for single phase alternating current, 6 pole

FBO56-6E



Description

Motor technology: AC
 Rated voltage U_N : 1~ 230 V \pm 10 %*
 Rated frequency f_N : 50 Hz*
 Motor input power P_1 : 0.33 kW*
 Rated current I_N : 1.70 A*
 Rated speed n_N : 890 min⁻¹*
 Starting current I_s : 3.60 A
 Current increase ΔI : 10 %
 Service capacitor C_{400V} : 6.0 μ F
 Thermal class: **THCL155***
 Min. permitted conveyor temperature $t_{R(min)}$: -25 °C
 Max. permitted conveyor temperature $t_{R(max)}$: 65 °C
 Electrical connection: Terminal box
 Number of blades: 4
 Protection class: IP54
 Motor protection: Thermal contact
 Blades: Aluminium, uncoated
 Rotor: Aluminium, uncoated
 Conformity: ErP 2013, CE

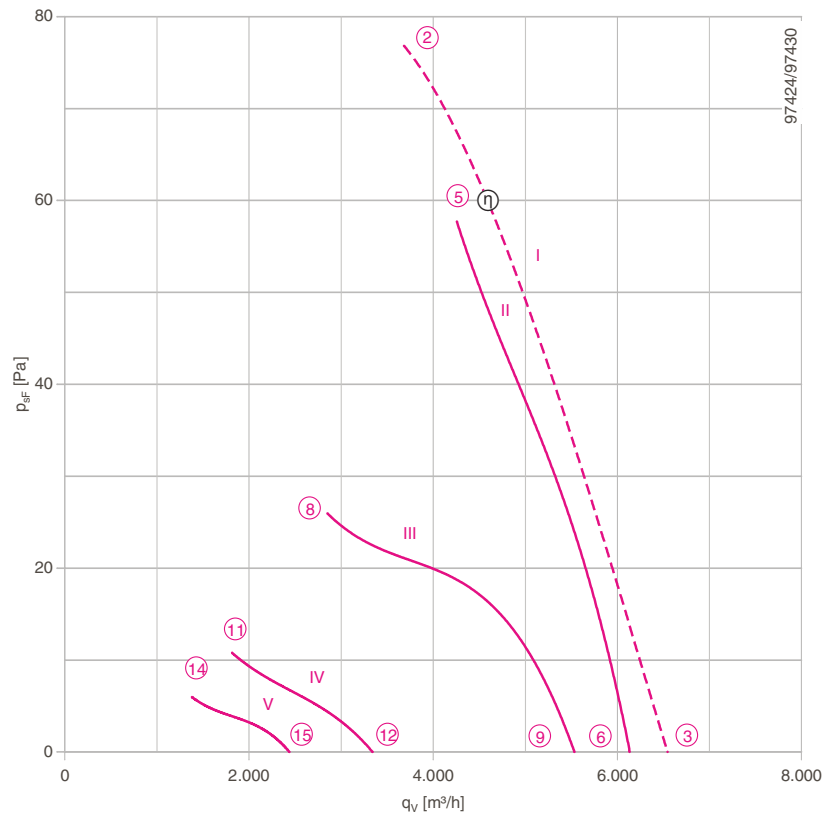
ErP Data

Efficiency η_{statA} : 27.4 %
 Efficiency: $N_{actual} = 37.0 / N_{target} = 36$ **
 * Rated data
 **ErP 2013

Connection diagrams Page 608
 for airflow direction V 1360-104XA
 for airflow direction A 1360-104XB

System components Page 524

Characteristic curve

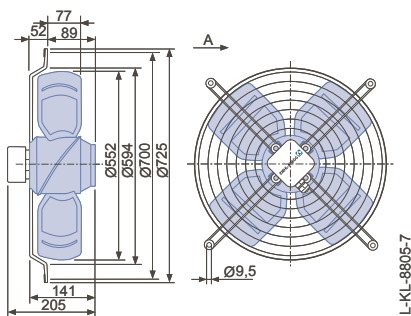


I) Measured in full bell mouth without guard grille in installation type A according to ISO 5801.
 II-x) Measured in short-bell mouth with compressed side contact protection.

Dimensions [mm]

Airflow direction A

Design W - axial bolted, mounting for short bell mouth E





Performance data

Type	Characteristic curve	Voltage	Operating point	Current	Motor input power	Speed	Suction side sound power level
		U [V]		I [A]	P ₁ [W]	n [min ⁻¹]	
FB056-6E_.4F_.4L	I	230*	②	1.25*	280*	880*	
		230	③	1.00	220	920	68
		230	⑤	1.15	260	890	69
	II	230	⑥	0.93	210	930	70
		160	⑧	1.25	185	610	64
		160	⑨	1.00	155	810	66
	IV	130	⑪	1.10	125	440	55
		130	⑫	1.05	120	580	58
		105	⑭	0.90	83	330	
	V	105	⑮	0.89	82	410	

*rated data

Fan ordering information

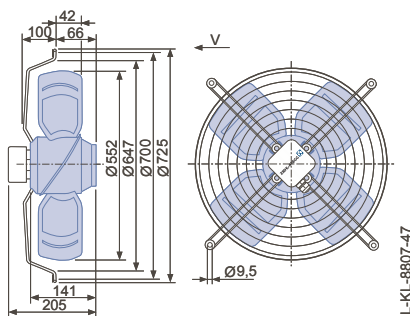
Airflow direction A		Airflow direction V	
Design	W		K
			
Type	FB056-6EW.4F.A4L		FB056-6EK.4F.V4L
Article no.	132418		124174
Weight [kg]	10.30		10.30

Control technology

<p>Frequency inverter Fcontrol 1~</p>  <p>➤ Page 552</p>	<p>Motor protection units 1~</p>  <p>➤ Page 596</p>	<p>Transformer-based controllers 1~</p>  <p>➤ Page 587</p>	<p>Electronic voltage controllers 1~</p>  <p>➤ Page 562</p>
---	--	---	---

Airflow direction V

Design K - axial bolted, mounted for short bell mouth E





Performance data

Type	Characteristic curve	Voltage	Operating point	Current	Motor input power	Speed	Suction side sound power level L_{WA5} [dB]	Max. permitted media temperature t_R [°C]
		U [V]		I [A]	P_1 [W]	n [min ⁻¹]		
FB056-6E_4I_4P	I	230*	②	1.70*	370*	900*		65
		230	③	1.45	320	920	73	
	II	230	⑤	1.60	350	910	72	70
		230	⑥	1.35	300	930	72	
	III	160	⑧	1.90	280	730	67	
		160	⑨	1.60	240	820	68	
	IV	130	⑪	1.90	210	550	61	
		130	⑫	1.70	200	640	63	
	V	105	⑭	1.55	145	380	57	
		105	⑮	1.50	140	460	56	

*rated data

Fan ordering information

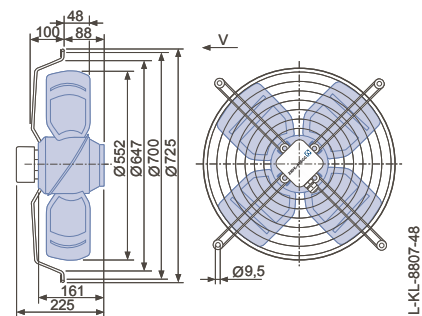
Airflow direction A		Airflow direction V	
Design	W		K
			
Type	FB056-6EW.4I.A4P		FB056-6EK.4I.V4P
Article no.	106941		124175
Weight [kg]	12.10		12.10

Control technology

<p>Frequency inverter Fcontrol 1~</p>  <p>Page 552</p>	<p>Motor protection units 1~</p>  <p>Page 596</p>	<p>Transformer-based controllers 1~</p>  <p>Page 587</p>	<p>Electronic voltage controllers 1~</p>  <p>Page 562</p>
---	--	---	---

Airflow direction V

Design K - axial bolted, mounted for short bell mouth E



FB

for single phase alternating current, 8 pole

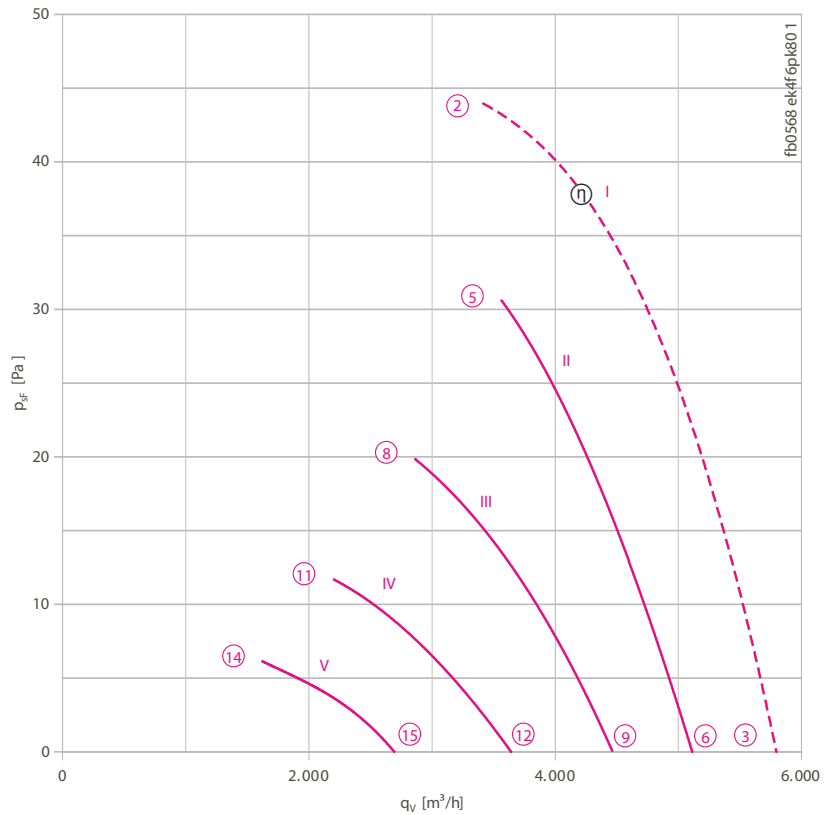
FBO56-8E



Description

Motor technology: AC
 Rated voltage U_N : 1~ 230 V±10 %*
 Rated frequency f_N : 50 Hz* (60Hz data available)
 Motor input power P_1 : 0.22 kW*
 Rated current I_N : 1.10 A*
 Rated speed n_N : 680 min⁻¹*
 Starting current I_A : 1.60 A
 Current increase ΔI : 0 %
 Service capacitor C_{400V} : 5.0 μ F
 Thermal class: **THCL155***
 Min. permitted conveyor temperature $t_{R(min)}$: -25 °C
 Max. permitted conveyor temperature $t_{R(max)}$: 65 °C
 Electrical connection: Terminal box
 Number of blades: 4
 Protection class: IP54
 Motor protection: Thermal contact
 Blades: Aluminium, uncoated
 Rotor: Aluminium, uncoated
 * Rated data

Characteristic curve



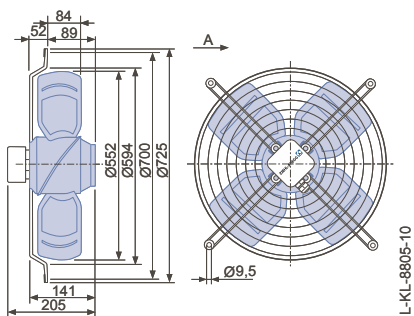
I) Measured in full bell mouth without guard grille in installation type A according to ISO 5801.
 II-x) Measured in short-bell mouth with compressed side contact protection.

- Connection diagrams Page 608
 - for airflow direction V 1360-104XA
 - for airflow direction A 1360-104XB
- System components Page 524

Dimensions [mm]

Airflow direction A

Design W - axial bolted, mounting for short bell mouth E





Performance data

Type	Characteristic curve	Voltage	Operating point	Current	Motor input power	Speed	Suction side sound power level L_{WA5} [dB]	Max. permitted media temperature t_R [°C]
		U [V]		I [A]	P_1 [W]	n [min ⁻¹]		
FB056-8E_4F_4P	I	230*	②	1.10*	220*	680*		65
		230	③	0.95	190	690	64	
	II	230	⑤	1.00	200	680	65	70
		230	⑥	0.93	180	710	65	
	III	160	⑧	0.94	130	510	60	
		160	⑨	0.81	115	600	61	
	IV	130	⑪	0.83	94	410	56	
		130	⑫	0.78	89	490	57	
	V	105	⑭	0.70	62	310		
		105	⑮	0.69	62	360		

*rated data

Fan ordering information

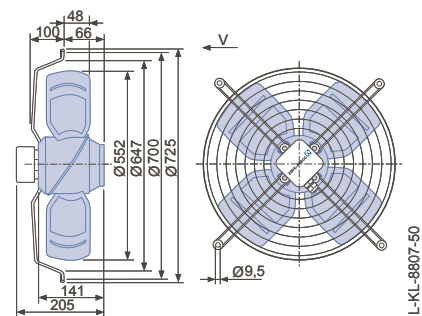
Airflow direction A		Airflow direction V	
Design	W		K
			
Type	FB056-8EW.4F.A4P		FB056-8EK.4F.V4P
Article no.	107066		124176
Weight [kg]	10.30		10.30

Control technology

<p>Frequency inverter Fcontrol 1~</p>  <p>Page 552</p>	<p>Motor protection units 1~</p>  <p>Page 596</p>	<p>Transformer-based controllers 1~</p>  <p>Page 587</p>	<p>Electronic voltage controllers 1~</p>  <p>Page 562</p>
---	--	---	---

Airflow direction V

Design K - axial bolted, mounted for short bell mouth E



FB

for three phase alternating current, 4-4 pole

FBO56-VD



Description

Motor technology: AC
 Rated voltage U_N : 3- 400 V (Δ/Y) ± 10 %*
 Rated frequency f_N : 50 Hz*
 Motor input power P_1 : 0.84/0.64 kW*
 Rated current I_N : 1.65/1.05 A*
 Rated speed n_N : 1360/1090 min⁻¹*
 Starting current I_s : 6.00 A / 2.00 A
 Current increase ΔI : 10 %
 Thermal class: THCL155*
 Min. permitted conveyor temperature $t_{R(min)}$: -40 °C
 Max. permitted conveyor temperature $t_{R(max)}$: 40 °C
 Electrical connection: Terminal box
 Number of blades: 4
 Protection class: IP54
 Motor protection: Thermal contact
 Blades: Aluminium, uncoated
 Rotor: Aluminium, uncoated
 Conformity: ErP 2015, CE

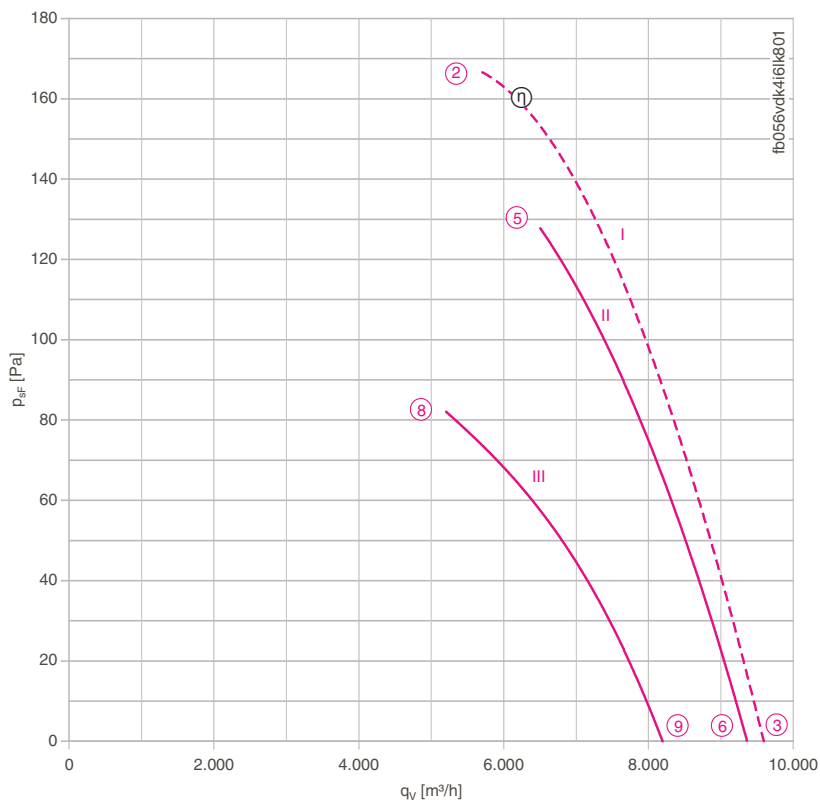
ErP Data

Efficiency η_{statA} : 37.9 %
 Efficiency: $N_{actual} = 45.0 / N_{target} = 40$ **
 * Rated data
 **ErP 2015

➤ Connection diagrams Page 608
 for airflow direction V 1360-108XA
 for airflow direction A 1360-108XB

➤ System components Page 524

Characteristic curve

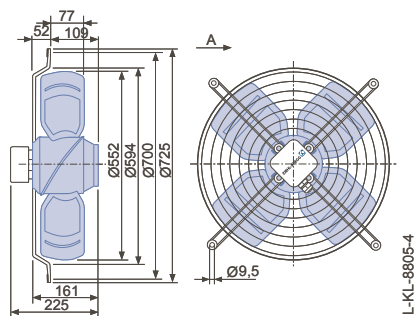


I) Measured in full bell mouth without guard grille in installation type A according to ISO 5801.
 II-x) Measured in short-bell mouth with compressed side contact protection.

Dimensions [mm]

Airflow direction A

Design W - axial bolted, mounting for short bell mouth E





Performance data

Type	Connection	Characteristic curve	Voltage	Operating point	Current	Motor input power	Speed	Suction side sound power level	Max. permitted media temperature
			U [V]						
FB056-VD_4I_4L	Δ	I	400*	②	1.65*	840*	1360*		40
			400	③	1.25	570	1410	79	
			400	⑤	1.45	760	1370	80	50
	Y	II	400	⑥	1.20	540	1420	80	
			400	⑧	0.97	580	1110	76	
			400	⑨	0.76	450	1230	77	

*rated data

Fan ordering information

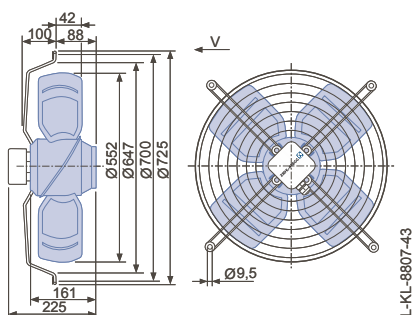
Airflow direction A		Airflow direction V	
Design	W		K
			
Type	FB056-VDW.4I.A4L		FB056-VDK.4I.V4L
Article no.	127411		124384
Weight [kg]	12.10		12.10

Control technology

<p>Frequency inverter Fcontrol 3~</p>  <p>Page 558</p>	<p>Motor protection units 3~</p>  <p>Page 596</p>	<p>Transformer-based controllers 3~</p>  <p>Page 591</p>	<p>Electronic voltage controllers 3~</p>  <p>Page 578</p>
---	--	---	--

Airflow direction V

Design K - axial bolted, mounted for short bell mouth E



FB

for three phase alternating current, 6-6 pole

FBO56-SD



Description

Motor technology: AC
 Rated voltage U_N : 3- 400 V (Δ/Y) ± 10 %*
 Rated frequency f_N : 50 Hz* (60Hz data available)
 Motor input power P_1 : 0.28/0.18 kW*
 Rated current I_N : 0.68/0.39 A*
 Rated speed n_N : 910/ 660 min⁻¹*
 Starting current I_A : 1.80 A / 0.50 A
 Current increase ΔI : 0 %
 Thermal class: THCL155*
 Min. permitted conveyor temperature $t_{R(min)}$: -40 °C
 Max. permitted conveyor temperature $t_{R(max)}$: 70 °C
 Electrical connection: Terminal box
 Number of blades: 4
 Protection class: IP54
 Motor protection: Thermal contact
 Blades: Aluminium, uncoated
 Rotor: Aluminium, uncoated
 Conformity: ErP 2015, CE

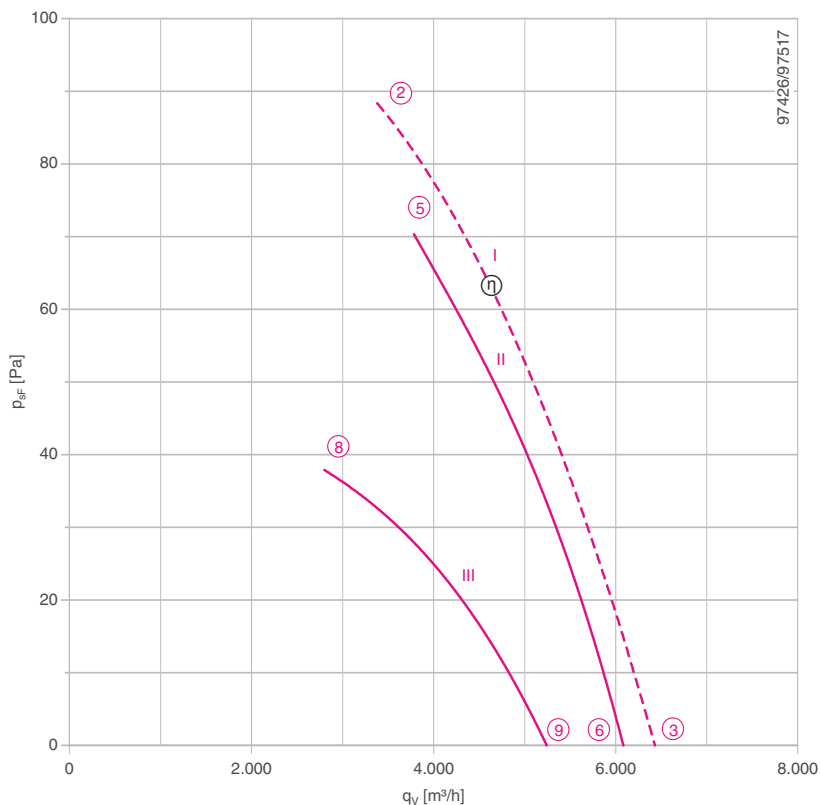
ErP Data

Efficiency η_{statA} : 34.0 %
 Efficiency: $N_{actual} = 44.2 / N_{target} = 40$ **
 * Rated data
 **ErP 2015

Connection diagrams Page 608
 for airflow direction V 1360-108XA
 for airflow direction A 1360-108XB

System components Page 524

Characteristic curve

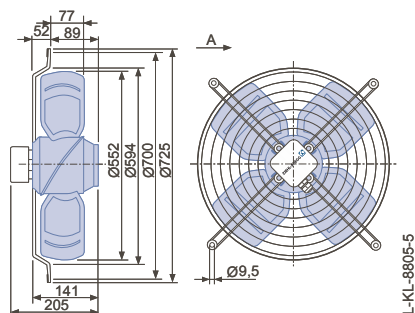


I) Measured in full bell mouth without guard grille in installation type A according to ISO 5801.
 II-x) Measured in short-bell mouth with compressed side contact protection.

Dimensions [mm]

Airflow direction A

Design W - axial bolted, mounting for short bell mouth E





Performance data

Type	Connection	Characteristic curve	Voltage	Operating point	Current	Motor input power	Speed	Suction side sound power level
			U [V]		I [A]	P ₁ [W]	n [min ⁻¹]	L _{WA5} [dB]
FB056-SD_4F_4L	Δ	I	400*	②	0.68*	280*	910*	76
			400	③	0.58	180	960	72
		400	⑤	0.64	250	930	75	
	Y	II	400	⑥	0.58	190	950	72
			400	⑧	0.38	170	680	68
		400	⑨	0.30	140	820	68	

*rated data

Fan ordering information

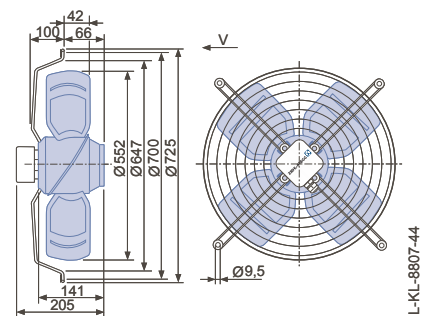
Airflow direction A		Airflow direction V	
Design	W		K
			
Type	FB056-SDW.4F.A4L		FB056-SDK.4F.V4L
Article no.	132416		124385
Weight [kg]	10.30		10.30

Control technology

<p>Frequency inverter Fcontrol 3~</p>  <p>Page 558</p>	<p>Motor protection units 3~</p>  <p>Page 596</p>	<p>Transformer-based controllers 3~</p>  <p>Page 591</p>	<p>Electronic voltage controllers 3~</p>  <p>Page 578</p>
--	---	--	---

Airflow direction V

Design K - axial bolted, mounted for short bell mouth E



FB

for three phase alternating current, 6-6 pole

FBO56-SD



Description

Motor technology: AC
 Rated voltage U_N : 3- 400 V (Δ/Y) ± 10 %*
 Rated frequency f_N : 50 Hz*
 Motor input power P_1 : 0.41/0.25 kW*
 Rated current I_N : 0.90/0.50 A*
 Rated speed n_N : 890/ 610 min⁻¹*
 Starting current I_A : 2.40 A / 0.70 A
 Current increase ΔI : 5 %
 Thermal class: THCL155*
 Min. permitted conveyor temperature $t_{R(min)}$: -40 °C
 Max. permitted conveyor temperature $t_{R(max)}$: 65 °C
 Electrical connection: Terminal box
 Number of blades: 4
 Protection class: IP54
 Motor protection: Thermal contact
 Blades: Aluminium, uncoated
 Rotor: Aluminium, uncoated
 Conformity: ErP 2013, CE

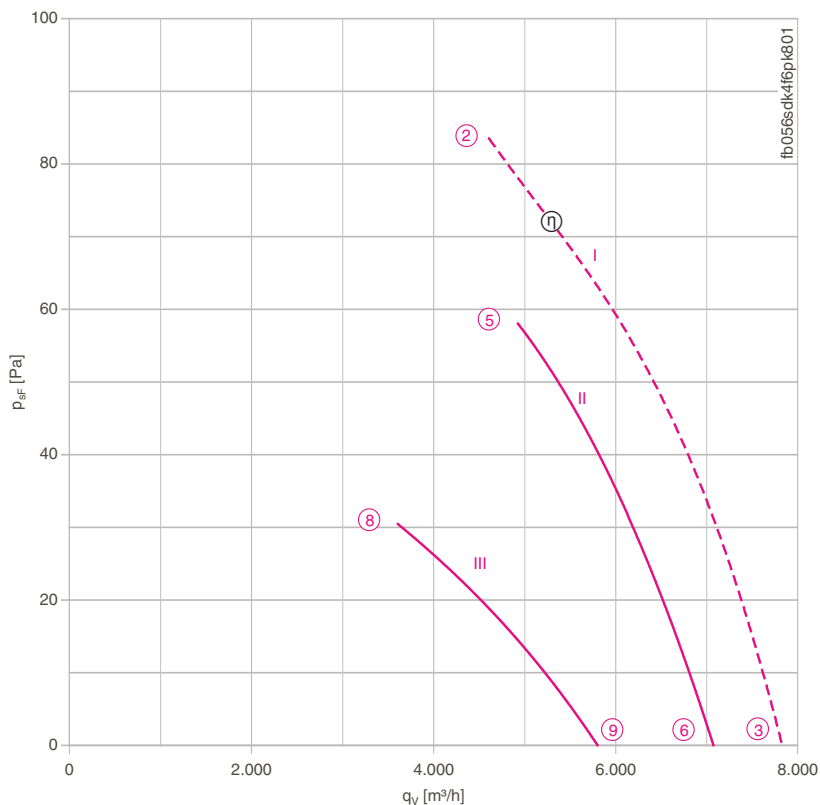
ErP Data

Efficiency η_{statA} : 28.7 %
 Efficiency: $N_{actual} = 37.9 / N_{target} = 36$ **
 * Rated data
 **ErP 2013

Connection diagrams Page 608
 for airflow direction V 1360-108XA
 for airflow direction A 1360-108XB

System components Page 524

Characteristic curve

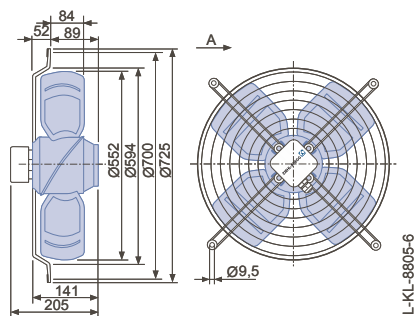


I) Measured in full bell mouth without guard grille in installation type A according to ISO 5801.
 II-x) Measured in short-bell mouth with compressed side contact protection.

Dimensions [mm]

Airflow direction A

Design W - axial bolted, mounting for short bell mouth E





Performance data



Type	Connection	Characteristic curve	Voltage	Operating point	Current	Motor input power	Speed	Suction side sound power level	Max. permitted media temperature
			U [V]						
FB056-SD_4F_4P	Δ	I	400*	②	0.90*	410*	890*		65
			400	③	0.81	330	920	73	
		II	400	⑤	0.83	350	910	72	70
	400		⑥	0.78	290	920	71		
	Y	III	400	⑧	0.46	230	670	66	
			400	⑨	0.42	210	760	66	

*rated data

Fan ordering information

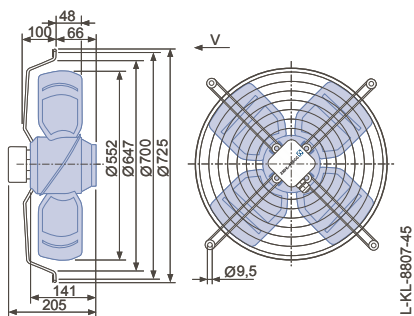
Airflow direction A		Airflow direction V	
Design	W		K
			
Type	FB056-SDW.4F.A4P		FB056-SDK.4F.V4P
Article no.	106942		108039
Weight [kg]	10.30		10.30

Control technology

<p>Frequency inverter Fcontrol 3~</p>  <p>➤ Page 558</p>	<p>Motor protection units 3~</p>  <p>➤ Page 596</p>	<p>Transformer-based controllers 3~</p>  <p>➤ Page 591</p>	<p>Electronic voltage controllers 3~</p>  <p>➤ Page 578</p>
---	--	---	--

Airflow direction V

Design K - axial bolted, mounted for short bell mouth E



FB

for three phase alternating current, 6-6 pole

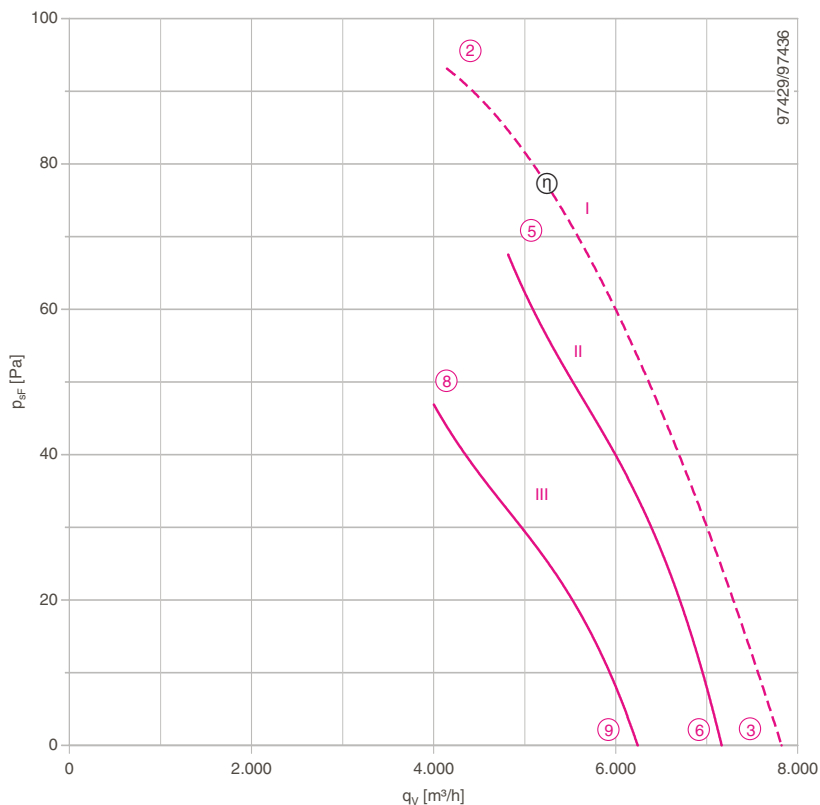
FBO56-SD



Description

Motor technology: AC
 Rated voltage U_N : 3- 400 V (Δ/Y) ± 10 %*
 Rated frequency f_N : 50 Hz*
 Motor input power P_1 : 0.34/0.25 kW*
 Rated current I_N : 0.64/0.41 A*
 Rated speed n_N : 910/ 750 min⁻¹*
 Thermal class: THCL155*
 Min. permitted conveyor temperature $t_{R(min)}$: -40 °C
 Max. permitted conveyor temperature $t_{R(max)}$: 70 °C
 Electrical connection: Terminal box
 Number of blades: 4
 Protection class: IP54
 Motor protection: Thermal contact
 Blades: Aluminium, uncoated
 Rotor: Aluminium, uncoated
 Conformity: ErP 2015, CE
ErP Data
 Efficiency η_{statA} : 36.5 %
 Efficiency: $N_{actual} = 46.0 / N_{target} = 40$ **
 * Rated data
 **ErP 2015

Characteristic curve



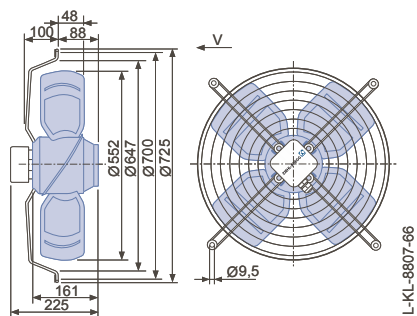
I) Measured in full bell mouth without guard grille in installation type A according to ISO 5801.
 II-x) Measured in short-bell mouth with compressed side contact protection.

- Connection diagram 1360-108XA Page 608
- System components Page 524

Dimensions [mm]

Airflow direction A

Design K - axial bolted, mounted for short bell mouth E



Performance data


Type	Connection	Characteristic curve	Voltage	Operating point	Current	Motor input power	Speed	Suction side sound power level
			U [V]					
FB056-SD_4I.V4P	Δ	I	400*	②	0.64*	340*	910*	76
			400	③	0.52	230	950	74
			400	⑤	0.60	310	920	74
	Y	II	400	⑥	0.54	250	940	73
			400	⑧	0.39	230	770	69
			400	⑨	0.33	200	820	69

*rated data

Fan ordering information

← Airflow direction V

Design K



Type FB056-SDK.4I.V4P
Article no. 160149
Weight [kg] 12.10

Control technology

<p>Frequency inverter Fcontrol 3~</p>  <p>➤ Page 558</p>	<p>Motor protection units 3~</p>  <p>➤ Page 596</p>	<p>Transformer-based controllers 3~</p>  <p>➤ Page 591</p>	<p>Electronic voltage controllers 3~</p>  <p>➤ Page 578</p>
--	---	--	---

← Airflow direction V

FB

for three phase alternating current, 8-8 pole

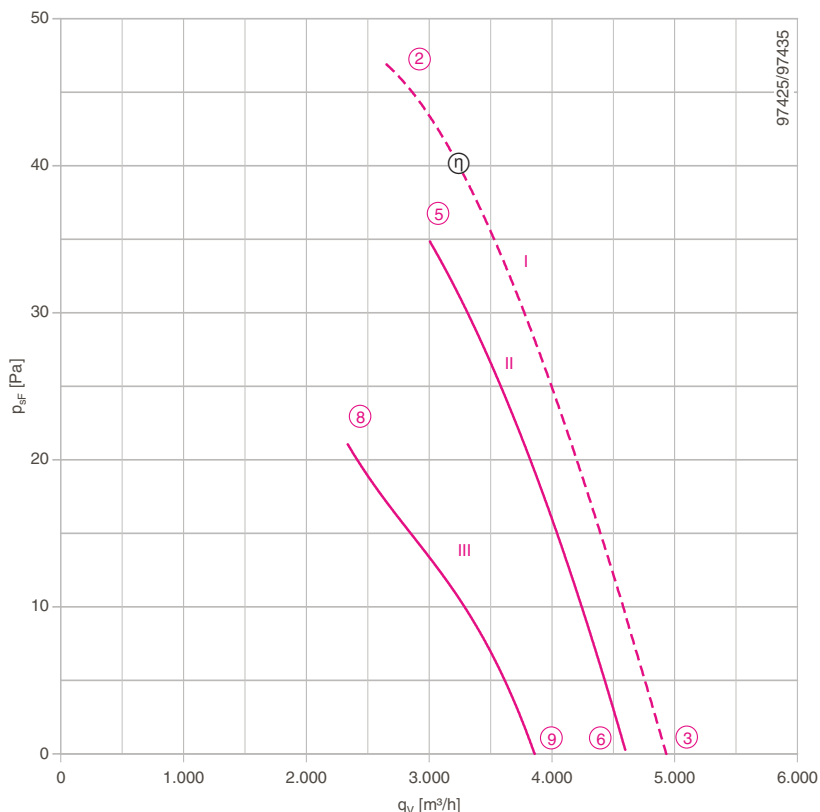
FBO56-AD



Description

Motor technology: AC
 Rated voltage U_N : 3- 400 V (Δ/Y) ± 10 %*
 Rated frequency f_N : 50 Hz*
 Motor input power P_1 : 0.13/0.08 kW*
 Rated current I_N : 0.29/0.15 A*
 Rated speed n_N : 660/ 500 min⁻¹*
 Thermal class: THCL155*
 Min. permitted conveyor temperature $t_{R(min)}$: -40 °C
 Max. permitted conveyor temperature $t_{R(max)}$: 70 °C
 Electrical connection: Terminal box
 Number of blades: 4
 Protection class: IP54
 Motor protection: Thermal contact
 Blades: Aluminium, uncoated
 Rotor: Aluminium, uncoated
 Conformity: CE
ErP Data
 Is not subject to the ErP Guidelines ($P_1 < 125$ W)
 * Rated data

Characteristic curve



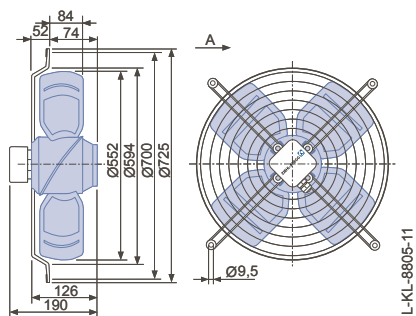
I) Measured in full bell mouth without guard grille in installation type A according to ISO 5801.
 II-x) Measured in short-bell mouth with compressed side contact protection.

- Connection diagram 1360-108XA Page 608
- System components Page 524

Dimensions [mm]

Airflow direction A

Design W - axial bolted, mounting for short bell mouth E





Performance data

Type	Connection	Characteristic curve	Voltage	Operating point	Current	Motor input power	Speed	Suction side sound power level
			U [V]		I [A]	P ₁ [W]	n [min ⁻¹]	L _{WA5} [dB]
FB056-AD_4C_4L	Δ	I	400*	②	0.30*	130*	660*	67
			400	③	0.26	90	700	65
		II	400	⑤	0.29	120	670	63
	Y	III	400	⑥	0.27	100	700	61
			400	⑧	0.15	80	520	56
		400	⑨	0.12	65	590	57	

*rated data

Fan ordering information

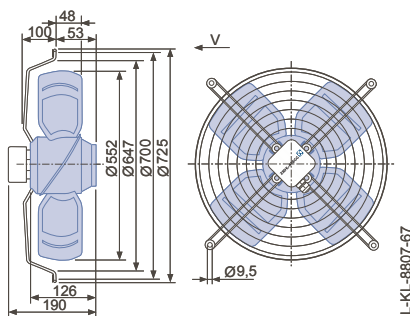
Airflow direction A		Airflow direction V	
Design	W		K
			
Type	FB056-ADW.4C.A4L		FB056-ADK.4C.V4L
Article no.	160141		160143
Weight [kg]	9.00		9.00

Control technology

<p>Frequency inverter Fcontrol 3~</p>  <p>Page 558</p>	<p>Motor protection units 3~</p>  <p>Page 596</p>	<p>Transformer-based controllers 3~</p>  <p>Page 591</p>	<p>Electronic voltage controllers 3~</p>  <p>Page 578</p>
--	---	--	---

Airflow direction V

Design K - axial bolted, mounted for short bell mouth E



FB

for three phase alternating current, 4 pole

FBO63-4D



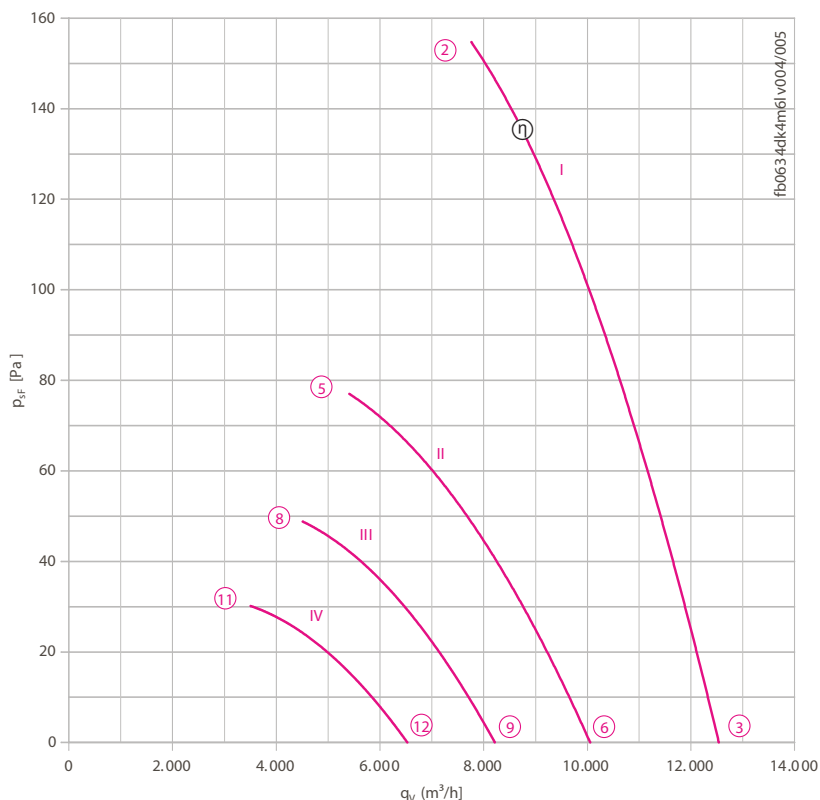
Description

Motor technology: AC
 Rated voltage U_N : 3~ 230/400 V (Δ/Y) ± 10 %*
 Rated frequency f_N : 50 Hz*
 Motor input power P_1 : 1.10 kW*
 Rated current I_N : 3.80/2.20 A*
 Rated speed n_N : 1300 min⁻¹*
 Starting current I_s : 12.00 A / 7.00 A
 Current increase ΔI : 0 %
 Thermal class: THCL155*
 Min. permitted conveyor temperature $t_{R(min)}$: -40 °C
 Max. permitted conveyor temperature $t_{R(max)}$: 60 °C
 Electrical connection: Terminal box
 Number of blades: 4
 Protection class: IP54
 Motor protection: Thermal contact
 Blades: Aluminium, uncoated
 Rotor: Aluminium, uncoated
 Conformity: ErP 2015, CE

ErP Data

Efficiency η_{statA} : 38.5 %
 Efficiency: $N_{actual} = 44.7 / N_{target} = 40$ **
 * Rated data
 **ErP 2015

Characteristic curve

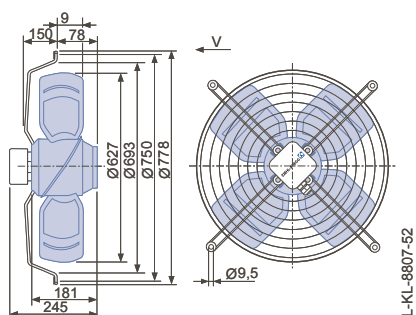


I) Measured in short bell mouth with guard grille in installation type A according to ISO 5801.
 Fan can only be operated in short bell mouth (\varnothing min. 634 mm, jet height max. 60 mm).

- Connection diagram 1360-106XA Page 608
- System components Page 524

Dimensions [mm]

← Airflow direction V
 Design K - axial bolted, mounted for short bell mouth E



Performance data


Type	Characteristic curve	Voltage	Operating point	Current	Motor input power	Speed	Suction side sound power level
		U [V]		I [A]	P ₁ [W]	n [min ⁻¹]	
FB063-4D_4M.V4L	I	400*	②	2.20*	1100*	1300*	83
		400	③	1.80	790	1380	85
	II	230	⑤	2.10	650	910	74
		230	⑥	1.85	560	1090	80
	III	180	⑧	1.90	450	730	69
		180	⑨	1.70	400	860	74
	IV	140	⑪	1.60	280	570	63
		140	⑫	1.50	270	700	68

*rated data

Fan ordering information

Airflow direction V

Design K



Type FB063-4DK.4M.V4L
Article no. 135045

Weight [kg] 17.40

Control technology

<p>Frequency inverter Fcontrol 3~</p>  <p>➤ Page 558</p>	<p>Motor protection units 3~</p>  <p>➤ Page 596</p>	<p>Transformer-based controllers 3~</p>  <p>➤ Page 591</p>	<p>Electronic voltage controllers 3~</p>  <p>➤ Page 578</p>
---	--	---	--

FB

for single phase alternating current, 6 pole

FBO63-6E



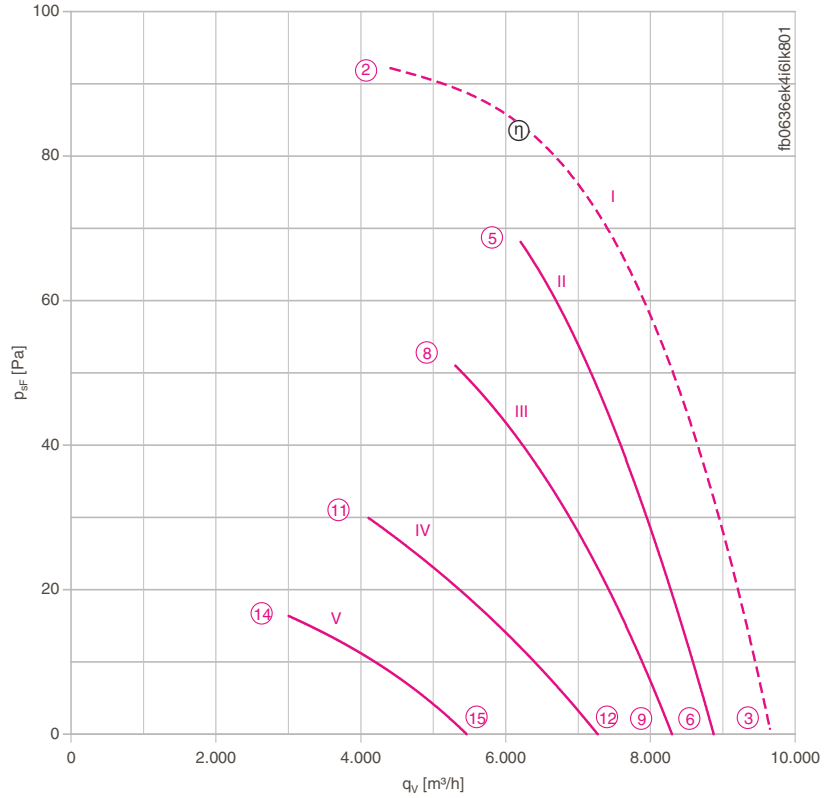
Description

Motor technology: AC
 Rated voltage U_N : 1~ 230 V±10 %*
 Rated frequency f_N : 50 Hz* (60Hz data available)
 Motor input power P_1 : 0.47 kW*
 Rated current I_N : 2.30 A*
 Rated speed n_N : 920 min⁻¹*
 Starting current I_s : 5.50 A
 Current increase ΔI : 15 %
 Service capacitor C_{400V} : 10.0 μ F
 Thermal class: THCL155*
 Min. permitted conveyor temperature $t_{R(min)}$: -25 °C
 Max. permitted conveyor temperature $t_{R(max)}$: 55 °C
 Electrical connection: Terminal box
 Number of blades: 4
 Protection class: IP54
 Motor protection: Thermal contact
 Blades: Aluminium, uncoated
 Rotor: Aluminium, uncoated
 Conformity: ErP 2015, CE

ErP Data

Efficiency η_{statA} : 33.1 %
 Efficiency: $N_{actual} = 41.4 / N_{target} = 40$ **
 * Rated data
 **ErP 2015

Characteristic curve



I) Measured in full bell mouth without guard grille in installation type A according to ISO 5801.
 II-x) Measured in short-bell mouth with compressed side contact protection.

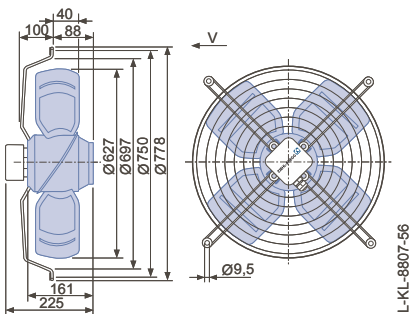
Connection diagram 1360-104XA Page 608

System components Page 524

Dimensions [mm]

Airflow direction V

Design K - axial bolted, mounted for short bell mouth E



Performance data


Type	Characteristic curve	Voltage	Operating point	Current	Motor input power	Speed	Suction side sound power level L_{WA5} [dB]	Max. permitted media temperature t_R [°C]
		U [V]		I [A]	P_1 [W]	n [min ⁻¹]		
FB063-6E_4I.V4L	I	230*	②	2.40*	520*	910*		55
		230	③	2.10	400	950	76	
	II	230	⑤	2.20	490	930	76	65
		230	⑥	1.95	410	950	74	
	III	160	⑧	2.40	370	800	71	
		160	⑨	1.90	300	880	72	
	IV	130	⑪	2.40	290	610	65	
		130	⑫	2.00	250	770	69	
	V	105	⑭	2.10	200	450	58	
		105	⑮	2.00	190	570	63	

*rated data

Fan ordering information




Airflow direction V

Design K



Type **FB063-6EK.4I.V4L**
Article no. **206837**
Weight [kg] 12.80

Control technology

<p>Frequency inverter Fcontrol 1~</p>  <p>Page 552</p>	<p>Motor protection units 1~</p>  <p>Page 596</p>	<p>Transformer-based controllers 1~</p>  <p>Page 587</p>	<p>Electronic voltage controllers 1~</p>  <p>Page 562</p>
---	--	---	---

FB

for single phase alternating current, 6 pole

FBO63-6E



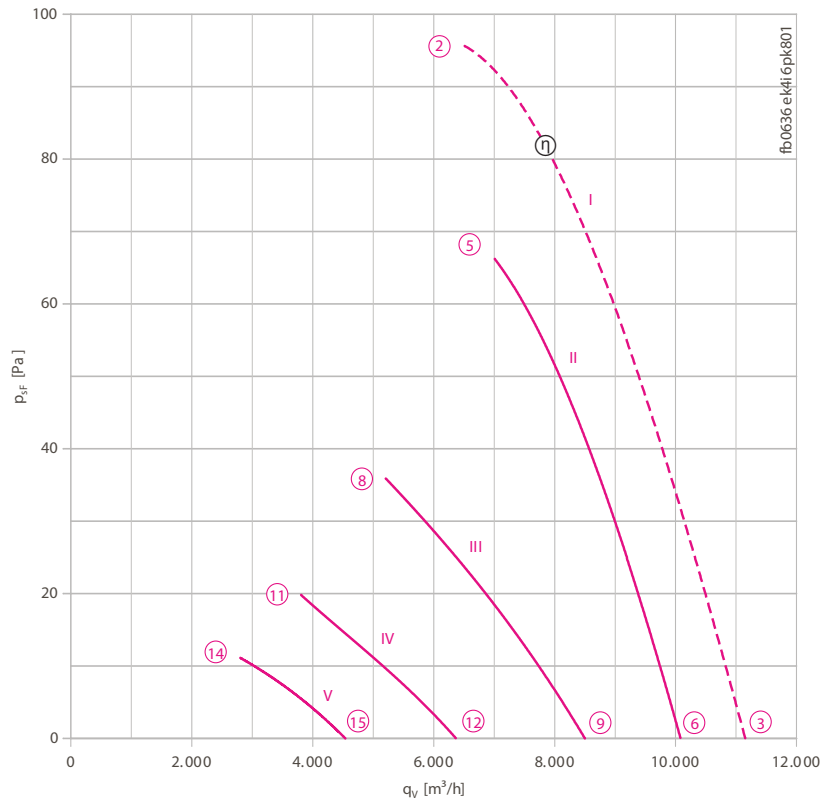
Description

Motor technology: AC
 Rated voltage U_N : 1~ 230 V \pm 10 %*
 Rated frequency f_N : 50 Hz*
 Motor input power P_1 : 0.63 kW*
 Rated current I_N : 3.00 A*
 Rated speed n_N : 860 min⁻¹*
 Starting current I_s : 5.50 A
 Current increase ΔI : 0 %
 Service capacitor C_{400V} : 12.0 μ F
 Thermal class: **THCL155***
 Min. permitted conveyor temperature $t_{R(min)}$: -25 °C
 Max. permitted conveyor temperature $t_{R(max)}$: 40 °C
 Electrical connection: Terminal box
 Number of blades: 4
 Protection class: IP54
 Motor protection: Thermal contact
 Blades: Aluminium, uncoated
 Rotor: Aluminium, uncoated
 Conformity: ErP 2013, CE

ErP Data

Efficiency η_{statA} : 28.3 %
 Efficiency: $N_{actual} = 36.1 / N_{target} = 36$ **
 * Rated data
 **ErP 2013

Characteristic curve



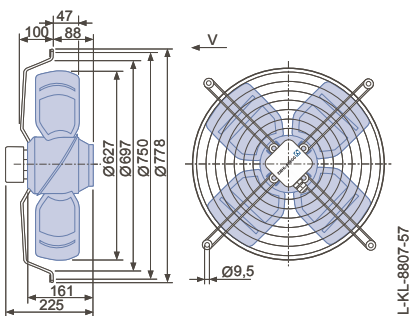
I) Measured in full bell mouth without guard grille in installation type A according to ISO 5801.
 II-x) Measured in short-bell mouth with compressed side contact protection.

- Connection diagram 1360-104XA Page 608
- System components Page 524

Dimensions [mm]



Design K - axial bolted, mounted for short bell mouth E



Performance data


Type	Characteristic curve	Voltage	Operating point	Current	Motor input power	Speed	Suction side sound power level L_{WA5} [dB]	Max. permitted media temperature t_R [°C]
		U [V]		I [A]	P_1 [W]	n [min ⁻¹]		
FB063-6E_4I.V4P	I	230*	②	3.00*	630*	860*		40
		230	③	2.60	550	910	78	
	II	230	⑤	2.70	590	900	78	50
		230	⑥	2.30	520	930	76	
	III	160	⑧	3.00	450	670	70	
		160	⑨	2.70	410	780	72	
	IV	130	⑪	2.70	320	490	61	
		130	⑫	2.60	310	580	64	
	V	105	⑭	2.30	210	370	54	
		105	⑮	2.30	210	410	55	

*rated data

Fan ordering information





Airflow direction V

Design K



Type **FB063-6EK.4I.V4P**
Article no. **109104**
Weight [kg] 12.80

Control technology

<p>Frequency inverter Fcontrol 1~</p>  <p>Page 552</p>	<p>Motor protection units 1~</p>  <p>Page 596</p>	<p>Transformer-based controllers 1~</p>  <p>Page 587</p>	<p>Electronic voltage controllers 1~</p>  <p>Page 562</p>
---	--	---	---

FB

for single phase alternating current, 8 pole

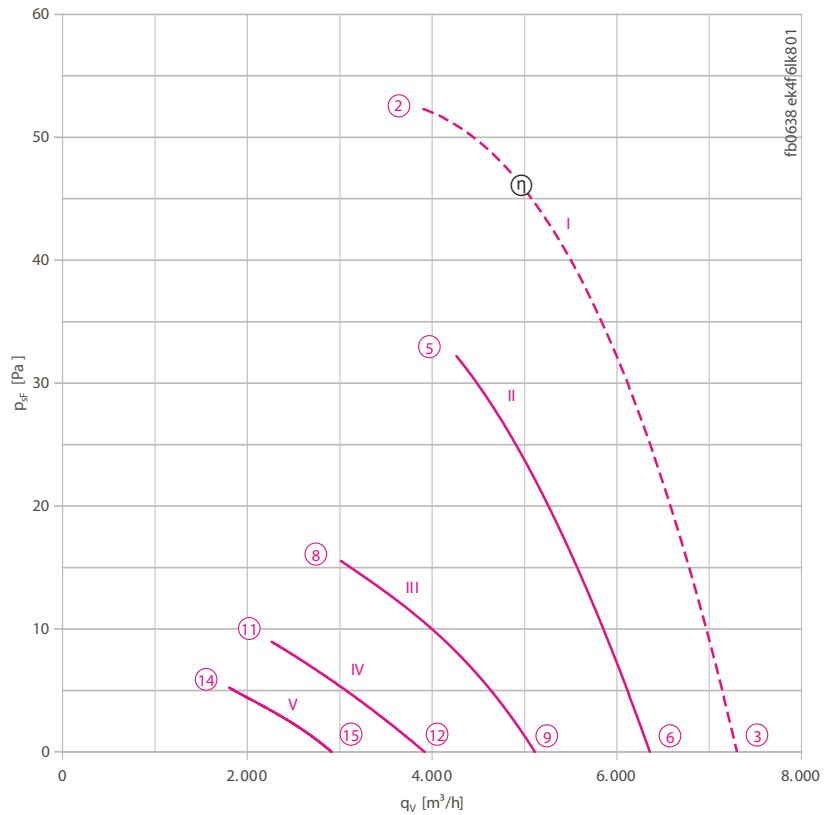
FBO63-8E



Description

Motor technology: AC
 Rated voltage U_N : 1~ 230 V±10 %*
 Rated frequency f_N : 50 Hz* (60Hz data available)
 Motor input power P_1 : 0.25 kW*
 Rated current I_N : 1.15 A*
 Rated speed n_N : 650 min⁻¹*
 Starting current I_s : 1.85 A
 Current increase ΔI : 0 %
 Service capacitor C_{400V} : 5.0 μ F
 Thermal class: **THCL155***
 Min. permitted conveyor temperature $t_{R(min)}$: -25 °C
 Max. permitted conveyor temperature $t_{R(max)}$: 70 °C
 Electrical connection: Terminal box
 Number of blades: 4
 Protection class: IP54
 Motor protection: Thermal contact
 Blades: Aluminium, uncoated
 Rotor: Aluminium, uncoated
 * Rated data

Characteristic curve

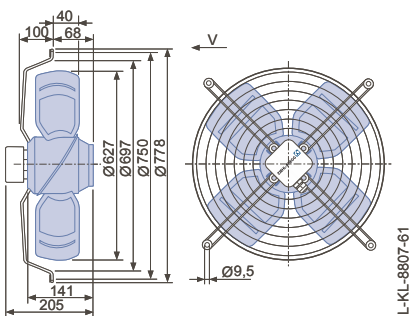


I) Measured in full bell mouth without guard grille in installation type A according to ISO 5801.
 II-x) Measured in short-bell mouth with compressed side contact protection.

- Connection diagram 1360-104XA Page 608
- System components Page 524

Dimensions [mm]

Airflow direction V
 Design K - axial bolted, mounted for short bell mouth E



Performance data


Type	Characteristic curve	Voltage	Operating point	Current	Motor input power	Speed	Suction side sound power level
		U [V]		I [A]	P ₁ [W]	n [min ⁻¹]	L _{WAS} [dB]
FB063-8E_4F.V4L	I	230*	②	1.15*	250*	650*	
		230	③	0.92	190	700	67
	II	230	⑤	1.10	230	620	66
		230	⑥	0.97	195	660	65
	III	160	⑧	0.94	130	430	58
		160	⑨	0.86	125	530	60
	IV	130	⑪	0.81	90	330	55
		130	⑫	0.78	87	410	53
	V	105	⑭	0.67	60	250	53
		105	⑮	0.66	59	310	46

*rated data

Fan ordering information

Airflow direction V


Design K



Type **FB063-8EK.4F.V4L**
Article no. **124172**

Weight [kg] 11.10

Control technology

<p>Frequency inverter Fcontrol 1~</p>  <p>➤ Page 552</p>	<p>Motor protection units 1~</p>  <p>➤ Page 596</p>	<p>Transformer-based controllers 1~</p>  <p>➤ Page 587</p>	<p>Electronic voltage controllers 1~</p>  <p>➤ Page 562</p>
---	--	---	--

FB

for single phase alternating current, 8 pole

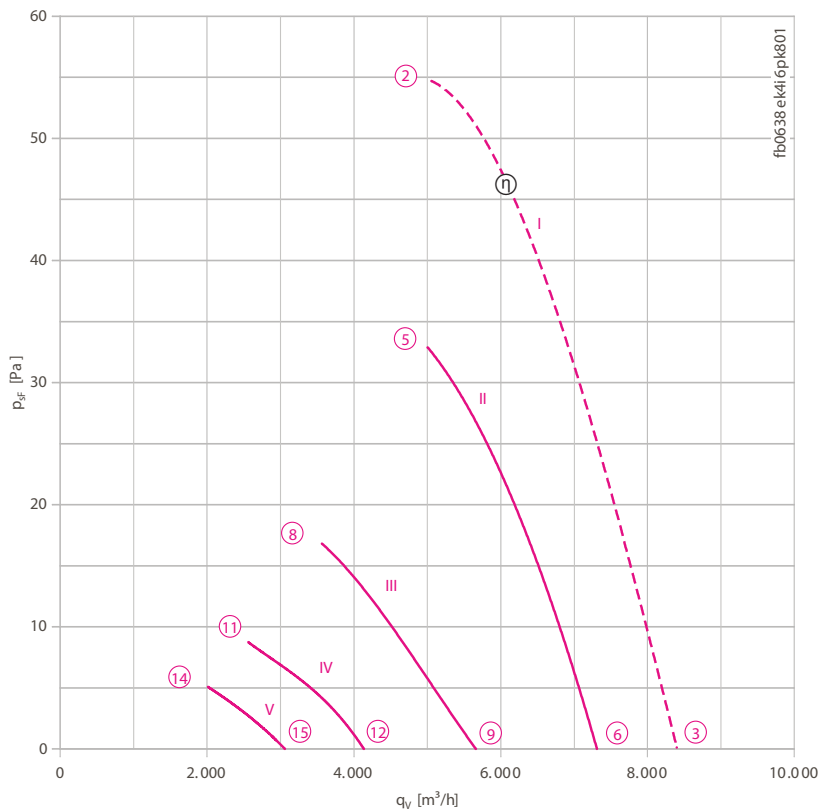
FBO63-8E



Description

Motor technology: AC
 Rated voltage U_N : 1~ 230 V±10 %*
 Rated frequency f_N : 50 Hz* (60Hz data available)
 Motor input power P_1 : 0.31 kW*
 Rated current I_N : 1.55 A*
 Rated speed n_N : 650 min⁻¹*
 Starting current I_s : 2.20 A
 Current increase ΔI : 5 %
 Service capacitor C_{400V} : 6.0 μF
 Thermal class: **THCL155***
 Min. permitted conveyor temperature $t_{R(min)}$: -25 °C
 Max. permitted conveyor temperature $t_{R(max)}$: 70 °C
 Electrical connection: Terminal box
 Number of blades: 4
 Protection class: IP54
 Motor protection: Thermal contact
 Blades: Aluminium, uncoated
 Rotor: Aluminium, uncoated
 * Rated data

Characteristic curve

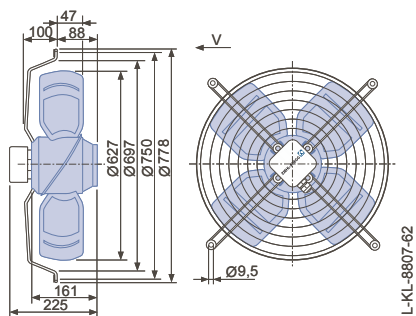


I) Measured in full bell mouth without guard grille in installation type A according to ISO 5801.
 II-x) Measured in short-bell mouth with compressed side contact protection.

- Connection diagram 1360-104XA Page 608
- System components Page 524

Dimensions [mm]

Airflow direction V
 Design K - axial bolted, mounted for short bell mouth E



Performance data


Type	Characteristic curve	Voltage	Operating point	Current	Motor input power	Speed	Suction side sound power level
		U [V]		I [A]	P ₁ [W]	n [min ⁻¹]	L _{WAS} [dB]
FB063-8E_4I.V4P	I	230*	②	1.55*	310*	650*	
		230	③	1.30	250	690	71
	II	230	⑤	1.50	290	640	71
		230	⑥	1.35	260	660	67
	III	160	⑧	1.40	190	450	63
		160	⑨	1.30	180	510	61
	IV	130	⑪	1.25	135	330	53
		130	⑫	1.20	130	380	61
	V	105	⑭	1.05	87	250	
		105	⑮	1.00	86	280	

*rated data

Fan ordering information

Airflow direction V

Design K



Type FB063-8EK.4I.V4P
Article no. 108187

Weight [kg] 12.80

Control technology

<p>Frequency inverter Fcontrol 1~</p>  <p>➤ Page 552</p>	<p>Motor protection units 1~</p>  <p>➤ Page 596</p>	<p>Transformer-based controllers 1~</p>  <p>➤ Page 587</p>	<p>Electronic voltage controllers 1~</p>  <p>➤ Page 562</p>
---	--	---	---

FB

for single phase alternating current, 8 pole

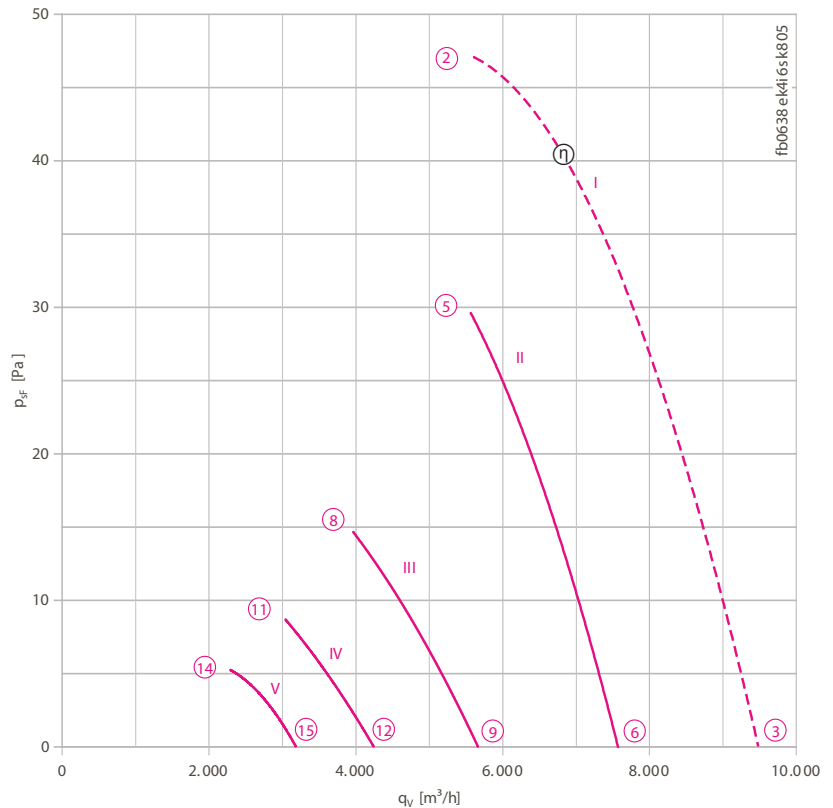
FBO63-8E



Description

Motor technology: AC
 Rated voltage U_N : 1~ 230 V \pm 10 %*
 Rated frequency f_N : 50 Hz*
 Motor input power P_1 : 0.36 kW*
 Rated current I_N : 1.70 A*
 Rated speed n_N : 600 min⁻¹*
 Starting current I_s : 2.40 A
 Current increase ΔI : 0 %
 Service capacitor C_{400V} : 8.0 μ F
 Thermal class: **THCL155***
 Min. permitted conveyor temperature $t_{R(min)}$: -25 °C
 Max. permitted conveyor temperature $t_{R(max)}$: 60 °C
 Electrical connection: Terminal box
 Number of blades: 4
 Protection class: IP54
 Motor protection: Thermal contact
 Blades: Aluminium, uncoated
 Rotor: Aluminium, uncoated
 * Rated data

Characteristic curve



I) Measured in full bell mouth without guard grille in installation type A according to ISO 5801.
 II-x) Measured in short-bell mouth with compressed side contact protection.

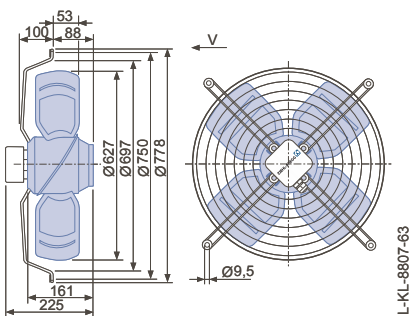
➤ Connection diagram 1360-104XA Page 608

➤ System components Page 524

Dimensions [mm]

Airflow direction V

Design K - axial bolted, mounted for short bell mouth E



Performance data


Type	Characteristic curve	Voltage	Operating point	Current	Motor input power	Speed	Suction side sound power level L_{WA5} [dB]	Max. permitted media temperature t_R [°C]
		U [V]		I [A]	P_1 [W]	n [min ⁻¹]		
FB063-8E_4I.V4S	I	230*	②	1.70*	360*	600*		60
		230	③	1.55	330	630	73	
	II	230	⑤	1.60	340	620	69	65
		230	⑥	1.50	320	640	69	
	III	160	⑧	1.45	210	430	60	
		160	⑨	1.40	200	480	63	
	IV	130	⑪	1.30	145	340	55	
		130	⑫	1.25	140	360	56	
	V	105	⑭	1.05	92	250		
		105	⑮	1.00	91	270		

*rated data

Fan ordering information

Airflow direction V

Design K






Type **FB063-8EK.4I.V4S**

Article no. **124173**

Weight [kg] 12.80

Control technology

<p>Frequency inverter Fcontrol 1~</p>  <p>Page 552</p>	<p>Motor protection units 1~</p>  <p>Page 596</p>	<p>Transformer-based controllers 1~</p>  <p>Page 587</p>	<p>Electronic voltage controllers 1~</p>  <p>Page 562</p>
---	--	---	---

FB

for three phase alternating current, 4-4 pole

FBO63-VD



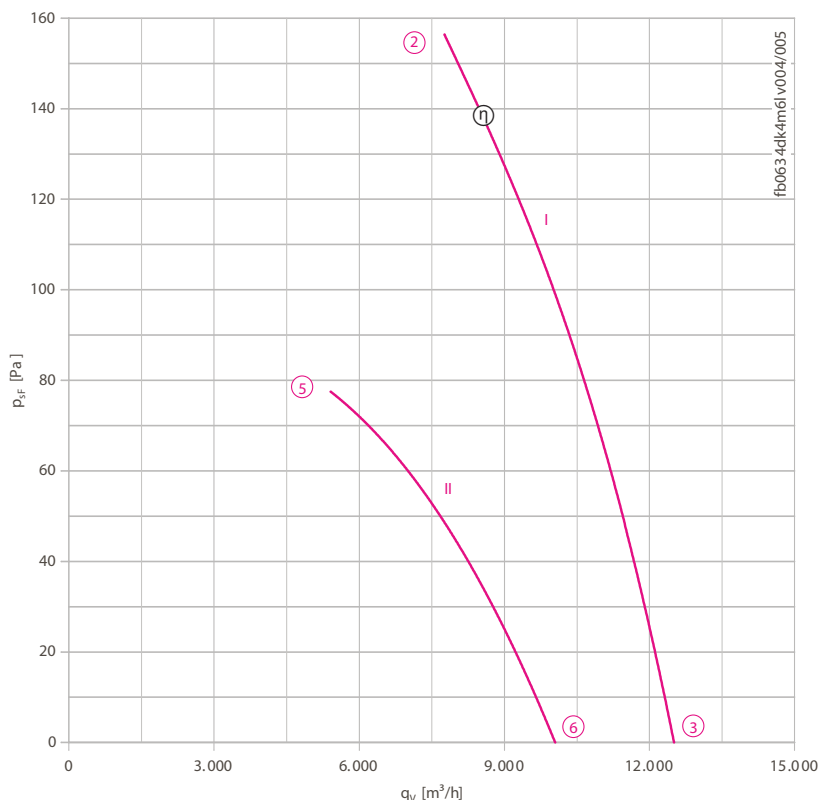
Description

Motor technology: AC
 Rated voltage U_N : 3- 400 V (Δ/Y) ± 10 %*
 Rated frequency f_N : 50 Hz*
 Motor input power P_1 : 1.10/0.65 kW*
 Rated current I_N : 2.20/1.25 A*
 Rated speed n_N : 1300/ 910 min⁻¹*
 Starting current I_s : 7.00 A / 2.40 A
 Current increase ΔI : 0 %
 Thermal class: **THCL155***
 Min. permitted conveyor temperature $t_{R(min)}$: -40 °C
 Max. permitted conveyor temperature $t_{R(max)}$: 60 °C
 Electrical connection: Terminal box
 Number of blades: 4
 Protection class: IP54
 Motor protection: Thermal contact
 Blades: Aluminium, uncoated
 Rotor: Aluminium, uncoated
 Conformity: ErP 2015, CE

ErP Data

Efficiency η_{statA} : 38.5 %
 Efficiency: $N_{actual} = 44.7 / N_{target} = 40$ **
 * Rated data
 **ErP 2015

Characteristic curve

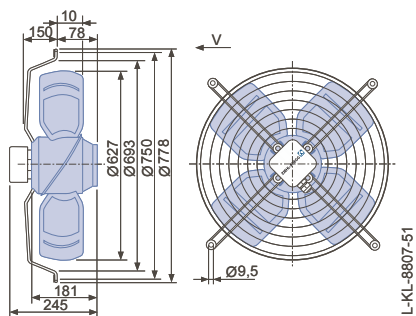


I) Measured in short bell mouth with guard grille in installation type A according to ISO 5801.
 II-x) Measured in short-bell mouth with compressed side contact protection.

- Connection diagram 1360-108XA Page 608
- System components Page 524

Dimensions [mm]

← Airflow direction V
 Design K - axial bolted, mounted for short bell mouth E



Performance data


Type	Connection	Characteristic curve	Voltage	Operating point	Current	Motor input power	Speed	Suction side sound power level
			U [V]		I [A]	P ₁ [W]	n [min ⁻¹]	L _{WA5} [dB]
FB063-VD_4M.V4L	Δ	I	400*	②	2.20*	1100*	1300*	83
			400	③	1.80	790	1380	85
	Y	II	400*	⑤	1.25*	650*	910*	74
			400	⑥	1.10	570	1090	80

*rated data

Fan ordering information



Design K



Type FB063-VDK.4M.V4L
Article no. 135044

Weight [kg] 17.40

Control technology

<p>Frequency inverter Fcontrol 3~</p>  <p>➤ Page 558</p>	<p>Motor protection units 3~</p>  <p>➤ Page 596</p>	<p>Transformer-based controllers 3~</p>  <p>➤ Page 591</p>	<p>Electronic voltage controllers 3~</p>  <p>➤ Page 578</p>
--	---	--	---

FB

for three phase alternating current, 6-6 pole

FBO63-SD



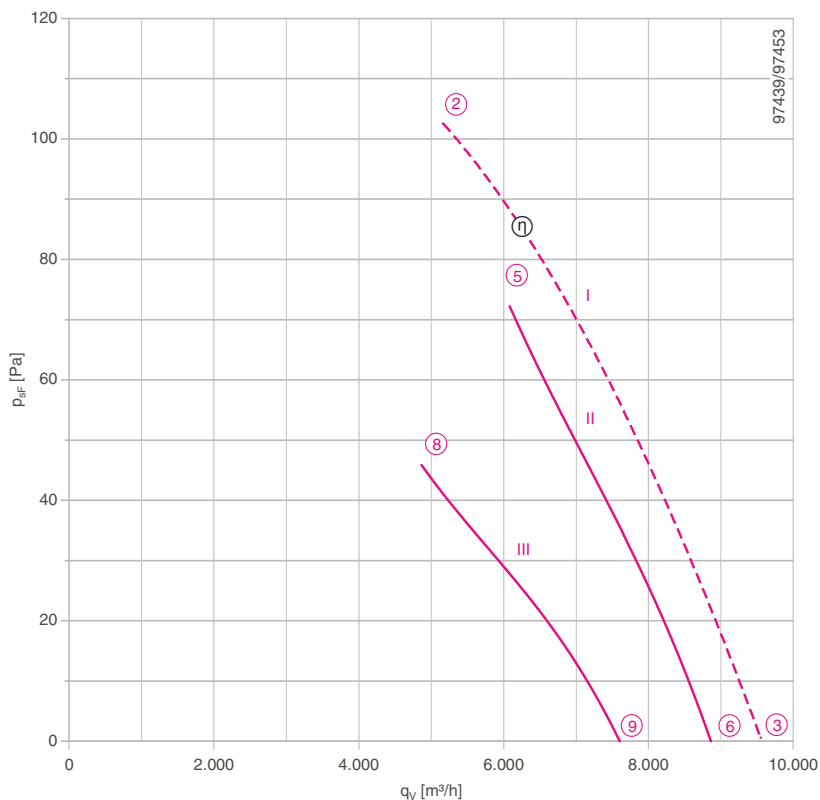
Description

Motor technology: AC
 Rated voltage U_N : 3- 400 V (Δ/Y) ± 10 %*
 Rated frequency f_N : 50 Hz* (60Hz data available)
 Motor input power P_1 : 0.42/0.30 kW*
 Rated current I_N : 0.78/0.50 A*
 Rated speed n_N : 900/ 710 min⁻¹*
 Starting current I_s : 2.80 A / 0.90 A
 Current increase ΔI : 10 %
 Thermal class: THCL155*
 Min. permitted conveyor temperature $t_{R(min)}$: -40 °C
 Max. permitted conveyor temperature $t_{R(max)}$: 70 °C
 Electrical connection: Terminal box
 Number of blades: 4
 Protection class: IP54
 Motor protection: Thermal contact
 Blades: Aluminium, uncoated
 Rotor: Aluminium, uncoated
 Conformity: ErP 2015, CE

ErP Data

Efficiency η_{statA} : 38.4 %
 Efficiency: $N_{actual} = 47.3 / N_{target} = 40$ **
 * Rated data
 **ErP 2015

Characteristic curve

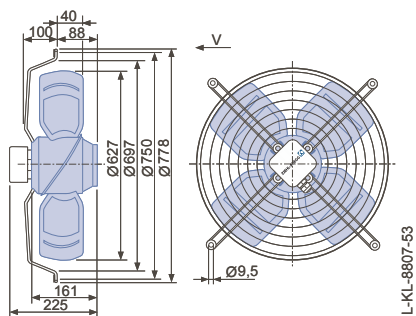


I) Measured in full bell mouth without guard grille in installation type A according to ISO 5801.
 II-x) Measured in short-bell mouth with compressed side contact protection.

- Connection diagram 1360-108XA Page 608
- System components Page 524

Dimensions [mm]

← Airflow direction V
 Design K - axial bolted, mounted for short bell mouth E



Performance data


Type	Connection	Characteristic curve	Voltage	Operating point	Current	Motor input power	Speed	Suction side sound power level		
			U [V]						I [A]	P ₁ [W]
FB063-SD_4I.V4L	Δ	I	400*	②	0.78*	420*	900*	78		
			400	③	0.60	260	940	76		
			400	⑤	0.74	390	910	74		
		II	400	⑥	0.64	300	940	72		
			Y	III	400	⑧	0.48	290	730	70
					400	⑨	0.39	230	800	68

*rated data

Fan ordering information

Airflow direction V

Design K



Type FB063-SDK.4I.V4L
Article no. 124168
Weight [kg] 12.80

Control technology

<p>Frequency inverter Fcontrol 3~</p>  <p>➤ Page 558</p>	<p>Motor protection units 3~</p>  <p>➤ Page 596</p>	<p>Transformer-based controllers 3~</p>  <p>➤ Page 591</p>	<p>Electronic voltage controllers 3~</p>  <p>➤ Page 578</p>
--	---	--	---

FB

for three phase alternating current, 6-6 pole

FBO63-SD



Description

Motor technology: AC
 Rated voltage U_N : 3- 400 V (Δ/Y) ± 10 %*
 Rated frequency f_N : 50 Hz* (60Hz data available)
 Motor input power P_1 : 0.48/0.32 kW*
 Rated current I_N : 0.93/0.51 A*
 Rated speed n_N : 870/ 680 min⁻¹*
 Starting current I_s : 2.80 A / 0.90 A
 Current increase ΔI : 0 %
 Thermal class: THCL155*
 Min. permitted conveyor temperature $t_{R(min)}$: -40 °C
 Max. permitted conveyor temperature $t_{R(max)}$: 70 °C
 Electrical connection: Terminal box
 Number of blades: 4
 Protection class: IP54
 Motor protection: Thermal contact
 Blades: Aluminium, uncoated
 Rotor: Aluminium, uncoated
 Conformity: ErP 2015, CE

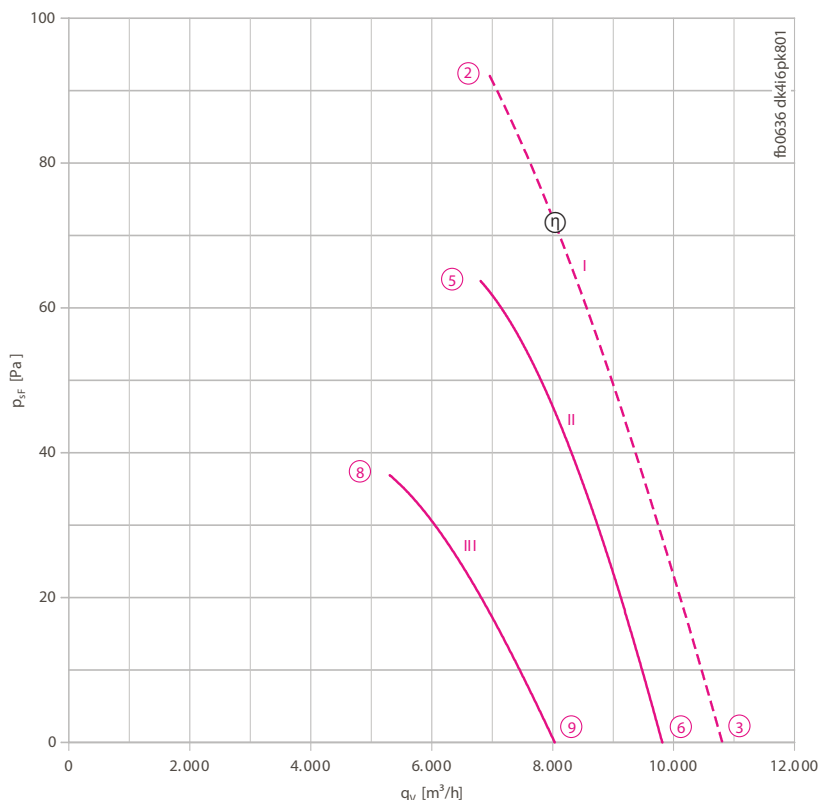
ErP Data

Efficiency η_{statA} : 30.5 %
 Efficiency: $N_{actual} = 40.5 / N_{target} = 40$ **
 Frequency inverter required

* Rated data

**ErP 2015

Characteristic curve



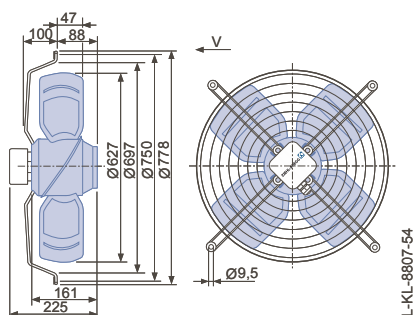
I) Measured in full bell mouth without guard grille in installation type A according to ISO 5801.
 II-x) Measured in short-bell mouth with compressed side contact protection.

- Connection diagram 1360-108XA Page 608
- System components Page 524

Dimensions [mm]



Design K - axial bolted, mounted for short bell mouth E



Performance data


Type	Connection	Characteristic curve	Voltage	Operating point	Current	Motor input power	Speed	Suction side sound power level
			U [V]					
FB063-SD_4I.V4P	Δ	I	400*	②	0.93*	480*	870*	
			400	③	0.85	380	910	78
		400	⑤	0.89	500	890	77	
	Y	II	400	⑥	0.79	420	910	76
			400	⑧	0.57	350	680	69
		400	⑨	0.52	320	730	70	

*rated data

Fan ordering information



Design K



Type FB063-SDK.4I.V4P
Article no. 124169
Weight [kg] 12.80

Control technology

<p>Frequency inverter Fcontrol 3~</p>  <p>➤ Page 558</p>	<p>Motor protection units 3~</p>  <p>➤ Page 596</p>	<p>Transformer-based controllers 3~</p>  <p>➤ Page 591</p>	<p>Electronic voltage controllers 3~</p>  <p>➤ Page 578</p>
--	---	--	---

FB

for three phase alternating current, 6-6 pole

FBO63-SD



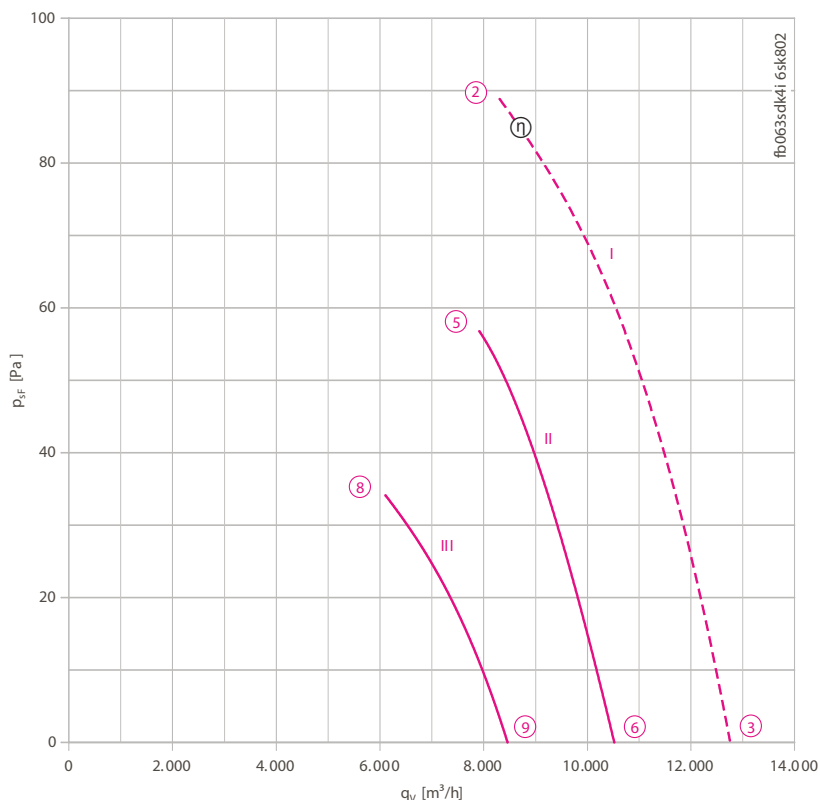
Description

Motor technology: AC
 Rated voltage U_N : 3- 400 V (Δ/Y) ± 10 %*
 Rated frequency f_N : 50 Hz* (60Hz data available)
 Motor input power P_1 : 0.72/0.47 kW*
 Rated current I_N : 1.40/0.79 A*
 Rated speed n_N : 870/ 650 min⁻¹*
 Starting current I_s : 4.40 A / 1.40 A
 Current increase ΔI : 5 %
 Thermal class: **THCL155***
 Min. permitted conveyor temperature $t_{R(min)}$: -40 °C
 Max. permitted conveyor temperature $t_{R(max)}$: 55 °C
 Electrical connection: Terminal box
 Number of blades: 4
 Protection class: IP54
 Motor protection: Thermal contact
 Blades: Aluminium, uncoated
 Rotor: Aluminium, uncoated
 Conformity: ErP 2013, CE

ErP Data

Efficiency η_{statA} : 28.7 %
 Efficiency: $N_{actual} = 36.1 / N_{target} = 36$ **
 * Rated data
 **ErP 2013

Characteristic curve

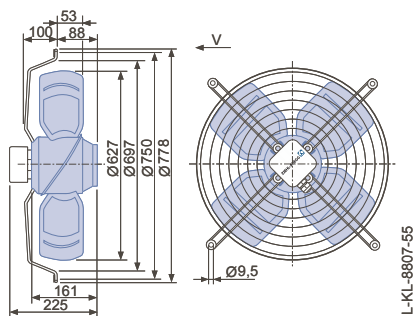


I) Measured in full bell mouth without guard grille in installation type A according to ISO 5801.
 II-x) Measured in short-bell mouth with compressed side contact protection.

- Connection diagram 1360-108XA Page 608
- System components Page 524

Dimensions [mm]

← Airflow direction V
 Design K - axial bolted, mounted for short bell mouth E



Performance data


Type	Connection	Characteristic curve	Voltage	Operating point	Current	Motor input power	Speed	Suction side sound power level	Max. permitted media temperature	
			U [V]							I [A]
FB063-SD_4I.V4S	Δ	I	400*	②	1.40*	720*	870*		55	
			400	③	1.30	550	910	83		
			400	⑤	1.25	670	890	78		
	Y	II	400	⑥	1.15	610	910	78		
			400	⑧	0.77	470	680	70		
			400	⑨	0.72	440	720	73		
		III	400							65

*rated data

Fan ordering information



Design K



Type **FB063-SDK.4I.V4S**
Article no. **210548**

Weight [kg] 12.80

Control technology

<p>Frequency inverter Fcontrol 3~</p>  <p>➤ Page 558</p>	<p>Motor protection units 3~</p>  <p>➤ Page 596</p>	<p>Transformer-based controllers 3~</p>  <p>➤ Page 591</p>	<p>Electronic voltage controllers 3~</p>  <p>➤ Page 578</p>
---	--	---	--



Information

FE20wlet
ECblue

FE20wlet

FB

FC

System
components

Control
technology

Appendix

FB

for three phase alternating current, 8-8 pole

FBO63-AD



Description

Motor technology: AC
 Rated voltage U_N : 3- 400 V (Δ/Y) ± 10 %*
 Rated frequency f_N : 50 Hz* (60Hz data available)
 Motor input power P_1 : 0.22/0.12 kW*
 Rated current I_N : 0.57/0.27 A*
 Rated speed n_N : 650/ 470 min⁻¹*
 Starting current I_s : 1.20 A / 0.36 A
 Current increase ΔI : 0 %
 Thermal class: **THCL155***
 Min. permitted conveyor temperature $t_{R(min)}$: -40 °C
 Max. permitted conveyor temperature $t_{R(max)}$: 70 °C
 Electrical connection: Terminal box
 Number of blades: 4
 Protection class: IP54
 Motor protection: Thermal contact
 Blades: Aluminium, uncoated
 Rotor: Aluminium, uncoated
 Conformity: ErP 2015, CE

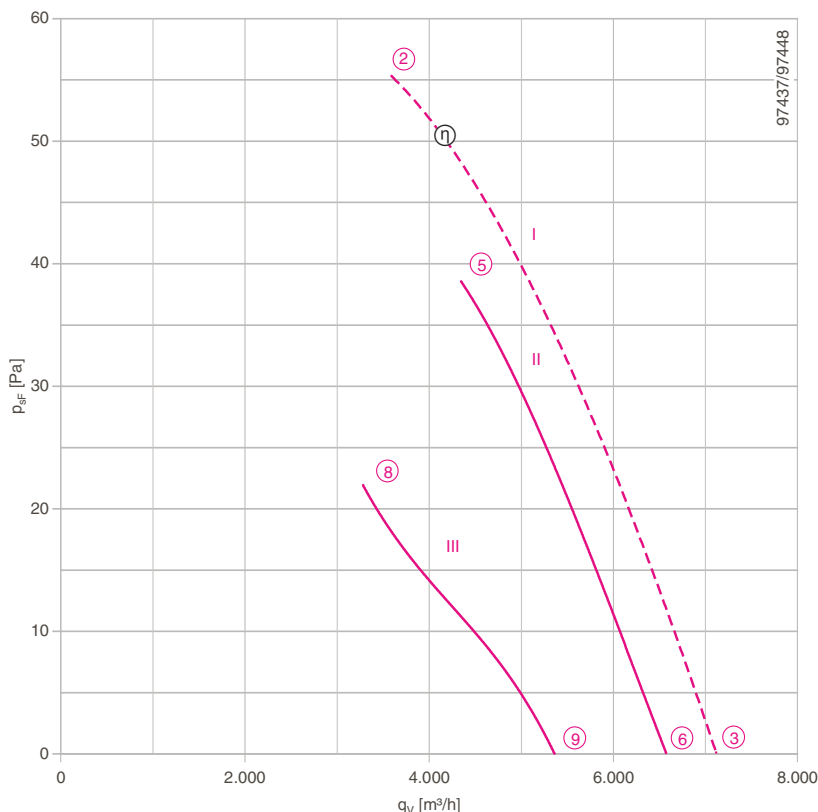
ErP Data

Efficiency η_{statA} : 28.1 %
 Efficiency: $N_{actual} = 40.6 / N_{target} = 40$ **
 Frequency inverter required

* Rated data

**ErP 2015

Characteristic curve

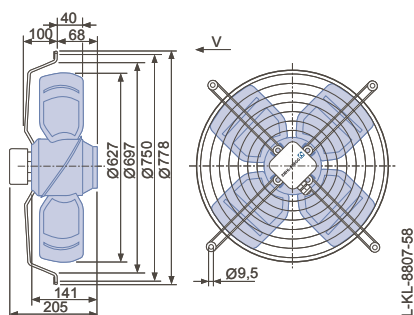


I) Measured in full bell mouth without guard grille in installation type A according to ISO 5801.
 II-x) Measured in short-bell mouth with compressed side contact protection.

- Connection diagram 1360-108XA Page 608
- System components Page 524

Dimensions [mm]

Airflow direction V
 Design K - axial bolted, mounted for short bell mouth E



Performance data


Type	Connection	Characteristic curve	Voltage	Operating point	Current	Motor input power	Speed	Suction side sound power level L_{WA5} [dB]
			U [V]		I [A]	P_1 [W]	n [min ⁻¹]	
FB063-AD_4F.V4L	Δ	I	400*	②	0.54*	220*	670*	
			400	③	0.48	155	700	67
		II	400	⑤	0.51	200	640	65
	Y	III	400	⑥	0.48	170	670	64
			400	⑧	0.24	115	450	59
		400	⑨	0.21	100	540	59	

*rated data

Fan ordering information

← Airflow direction V

Design K



Type FB063-ADK.4F.V4L
Article no. 124171
Weight [kg] 11.10

Control technology

<p>Frequency inverter Fcontrol 3~</p>  <p>➤ Page 558</p>	<p>Motor protection units 3~</p>  <p>➤ Page 596</p>	<p>Transformer-based controllers 3~</p>  <p>➤ Page 591</p>	<p>Electronic voltage controllers 3~</p>  <p>➤ Page 578</p>
--	---	--	---

FB

for three phase alternating current, 8-8 pole

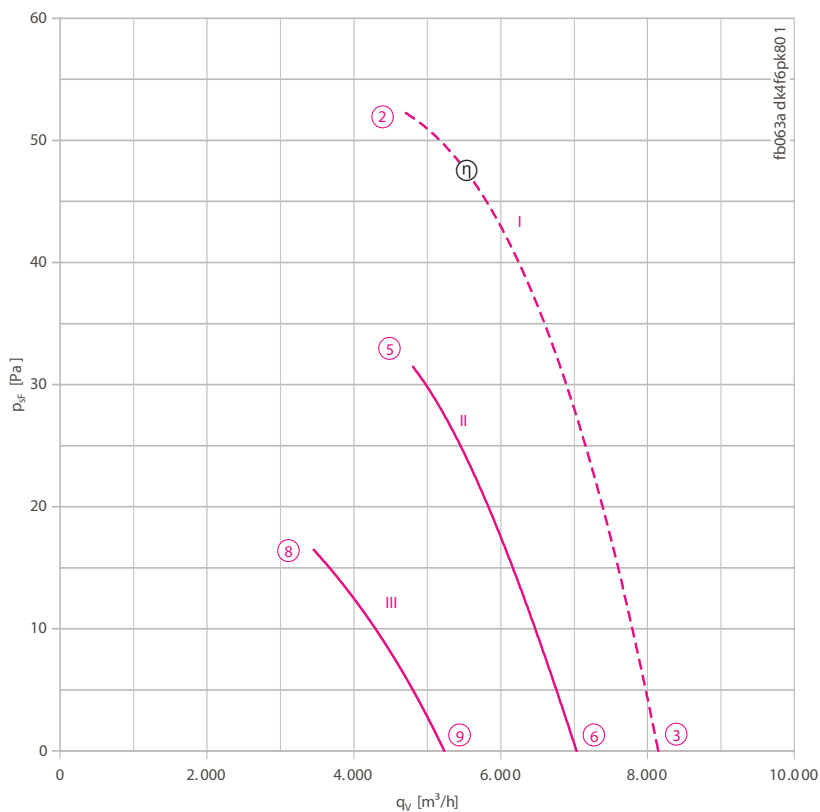
FBO63-AD



Description

Motor technology: AC
 Rated voltage U_N : 3- 400 V (Δ/Y) ± 10 %*
 Rated frequency f_N : 50 Hz* (60Hz data available)
 Motor input power P_1 : 0.26/0.16 kW*
 Rated current I_N : 0.59/0.30 A*
 Rated speed n_N : 640/ 470 min⁻¹*
 Starting current I_s : 1.20 A / 0.36 A
 Current increase ΔI : 0 %
 Thermal class: THCL155*
 Min. permitted conveyor temperature $t_{R(min)}$: -40 °C
 Max. permitted conveyor temperature $t_{R(max)}$: 70 °C
 Electrical connection: Terminal box
 Number of blades: 4
 Protection class: IP54
 Motor protection: Thermal contact
 Blades: Aluminium, uncoated
 Rotor: Aluminium, uncoated
 * Rated data

Characteristic curve



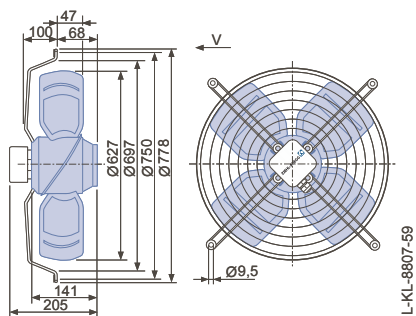
I) Measured in full bell mouth without guard grille in installation type A according to ISO 5801.
 II-x) Measured in short-bell mouth with compressed side contact protection.

- Connection diagram 1360-108XA Page 608
- System components Page 524

Dimensions [mm]



Design K - axial bolted, mounted for short bell mouth E



Performance data


Type	Connection	Characteristic curve	Voltage	Operating point	Current	Motor input power	Speed	Suction side sound power level
			U [V]					
FB063-AD_4F.V4P	Δ	I	400*	②	0.59*	260*	640*	
			400	③	0.51	190	680	70
			400	⑤	0.61	250	630	69
	Y	II	400	⑥	0.59	220	650	67
			400	⑧	0.28	130	440	60
			400	⑨	0.27	125	490	59

*rated data

Fan ordering information



Design K



Type FB063-ADK.4F.V4P
Article no. 209100
Weight [kg] 11.10

Control technology

<p>Frequency inverter Fcontrol 3~</p>  <p>➤ Page 558</p>	<p>Motor protection units 3~</p>  <p>➤ Page 596</p>	<p>Transformer-based controllers 3~</p>  <p>➤ Page 591</p>	<p>Electronic voltage controllers 3~</p>  <p>➤ Page 578</p>
--	---	--	---

FB

for three phase alternating current, 8-8 pole

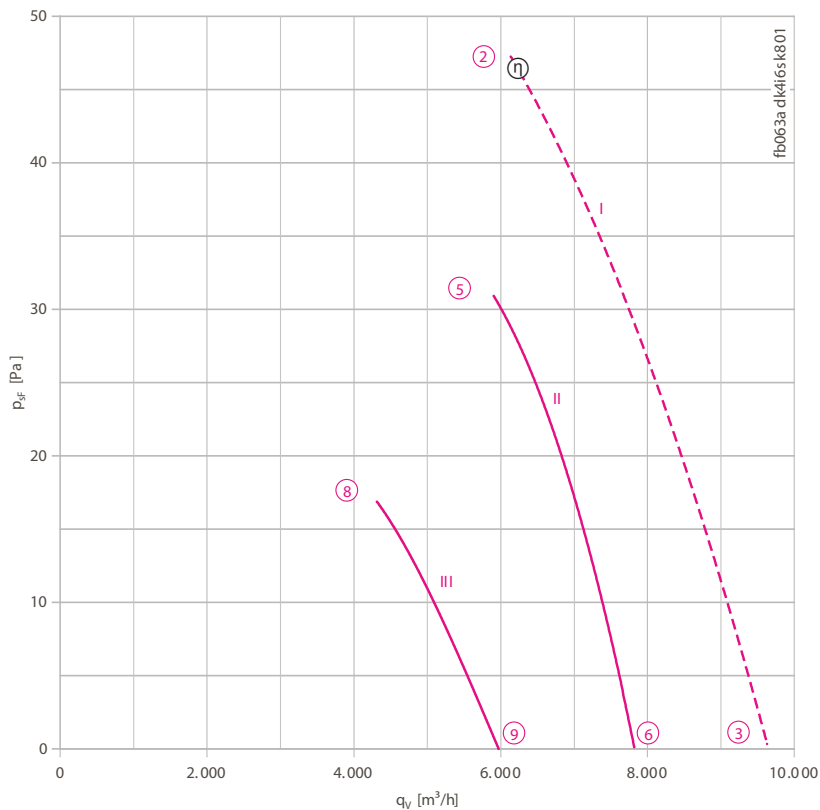
FBO63-AD



Description

Motor technology: AC
 Rated voltage U_N : 3- 400 V (Δ/Y) ± 10 %*
 Rated frequency f_N : 50 Hz*
 Motor input power P_1 : 0.35/0.22 kW*
 Rated current I_N : 0.77/0.40 A*
 Rated speed n_N : 640/ 470 min⁻¹*
 Starting current I_s : 2.10 A / 0.70 A
 Current increase ΔI : 0 %
 Thermal class: THCL155*
 Min. permitted conveyor temperature $t_{R(min)}$: -40 °C
 Max. permitted conveyor temperature $t_{R(max)}$: 70 °C
 Electrical connection: Terminal box
 Number of blades: 4
 Protection class: IP54
 Motor protection: Thermal contact
 Blades: Aluminium, uncoated
 Rotor: Aluminium, uncoated
 * Rated data

Characteristic curve

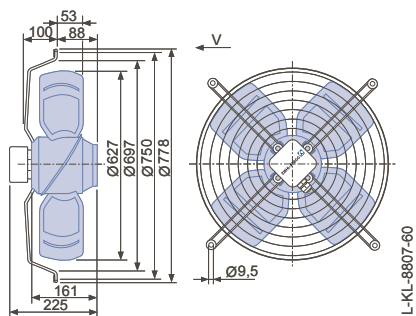


I) Measured in full bell mouth without guard grille in installation type A according to ISO 5801.
 II-x) Measured in short-bell mouth with compressed side contact protection.

- Connection diagram 1360-108XA Page 608
- System components Page 524

Dimensions [mm]

Airflow direction V
 Design K - axial bolted, mounted for short bell mouth E



Performance data


Type	Connection	Characteristic curve	Voltage	Operating point	Current	Motor input power	Speed	Suction side sound power level
			U [V]					
FB063-AD_4I.V4S	Δ	I	400*	②	0.77*	350*	640*	
			400	③	0.71	280	680	75
			400	⑤	0.69	340	650	69
	Y	II	400	⑥	0.66	310	670	69
			400	⑧	0.40	230	480	62
			400	⑨	0.37	210	500	64

*rated data

Fan ordering information

← Airflow direction V

Design K



Type FB063-ADK.4I.V4S
Article no. 107775
Weight [kg] 12.80

Control technology

<p>Frequency inverter Fcontrol 3~</p>  <p>➤ Page 558</p>	<p>Motor protection units 3~</p>  <p>➤ Page 596</p>	<p>Transformer-based controllers 3~</p>  <p>➤ Page 591</p>	<p>Electronic voltage controllers 3~</p>  <p>➤ Page 578</p>
--	---	--	---