

## Standard pumps



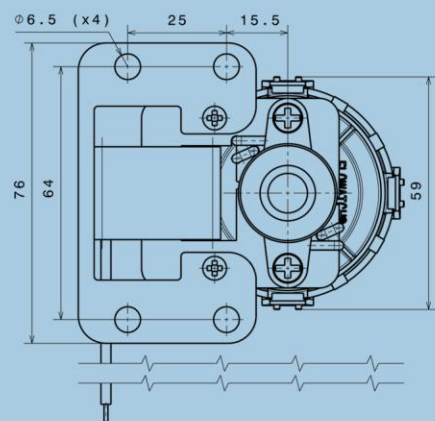
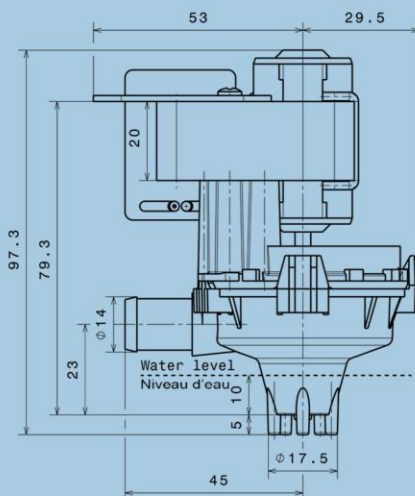
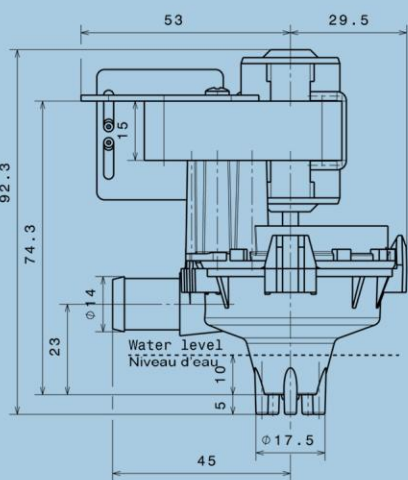
Centrifugal pumps CP06 and CP08 allow the condensate evacuation of air conditioning units up to 20 kW / 68 000 Btu.

They match with the standard cassettes of the market.

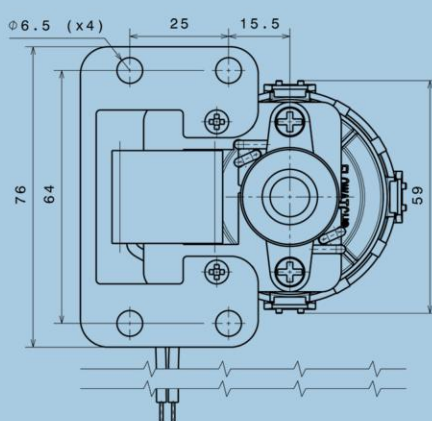
- 30 l/h - <21 dBA - IP54
- 50 l/h - <26 dBA - IP54



Reference	Voltage ±10%	Frequency	Power	Operating cycle	Temperature rise	Protection	Dimensions	Discharge tube	Discharge head	Flowrate	Noise level
CP06SC6631	230V	50/60 Hz	6W	100 %	50 K	IP 54	82,5x76x92,3 mm	Ø14 mm	300 mm 700 mm	30 l/h 24 l/h	<21 dBA <35 dBA
CP08SC6641	230V	50/60 Hz	8W	100 %	66 K	IP 54	82,5x76x97,3 mm	Ø14 mm	300 mm 1000 mm	50 l/h 20 l/h	<26 dBA <39 dBA



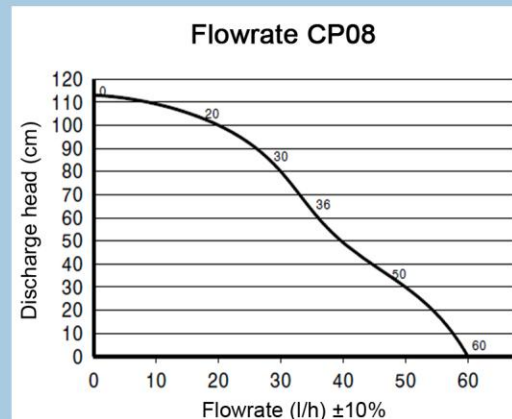
Drawing CP06SC6631



Drawing CP08SC6641

## APPLICATIONS

Split cassettes and ductables  
(air and water)  
≤ 20 kW / 68 000 Btu



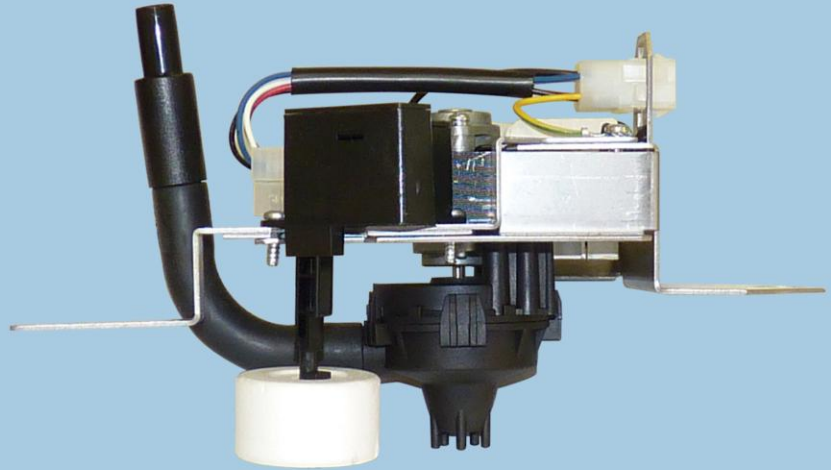
## Specific pumps OEM



SICCOM centrifugal pumps are designed and made on-demand for A/C manufacturers. They allow the condensate evacuation of air conditioning units up to 20 kW / 68 000 Btu.

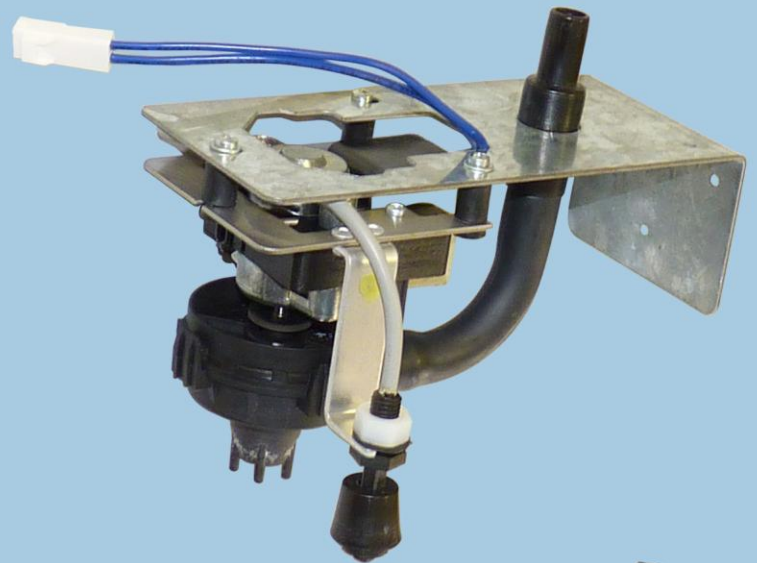
SICCOM laboratory is at your disposal to propose you an efficient answer to your specifications.

Today SICCOM is supplier of great worldwide cassette manufacturers.



## APPLICATIONS

Split cassettes and ductables  
(air and water)  
≤ 20 kW / 68 000 Btu



## DESIGN ON-DEMAND

SICCOM can make on-demand pump set composed by:



Detection module



Electronic card



Plate



Centrifugal pump complete version