

Manual

Note:When the compressor is shut off,it needs 3 minutes to restart.

Mode selection key:Select cool,dry,fan,work mode.

Fan selection key:Select fan speed.The fan speed will be low when in dry mode. In auto mode,the fan speed will be high if the difference of setting and room temperture big than 4℃,will be low if the difference less than 2℃.

Temperature setting keys:Be able to set from 15℃-30℃.It will not response in dry mode.

Timer selection key:Select timer offline,timer inline or no timer.

Timer time setting keys:Set 1-16 hours.

Swing key:Select swing on or off.

Sleep key:Will shut off in 8 hours.

ON/OFF key:Control on or off.



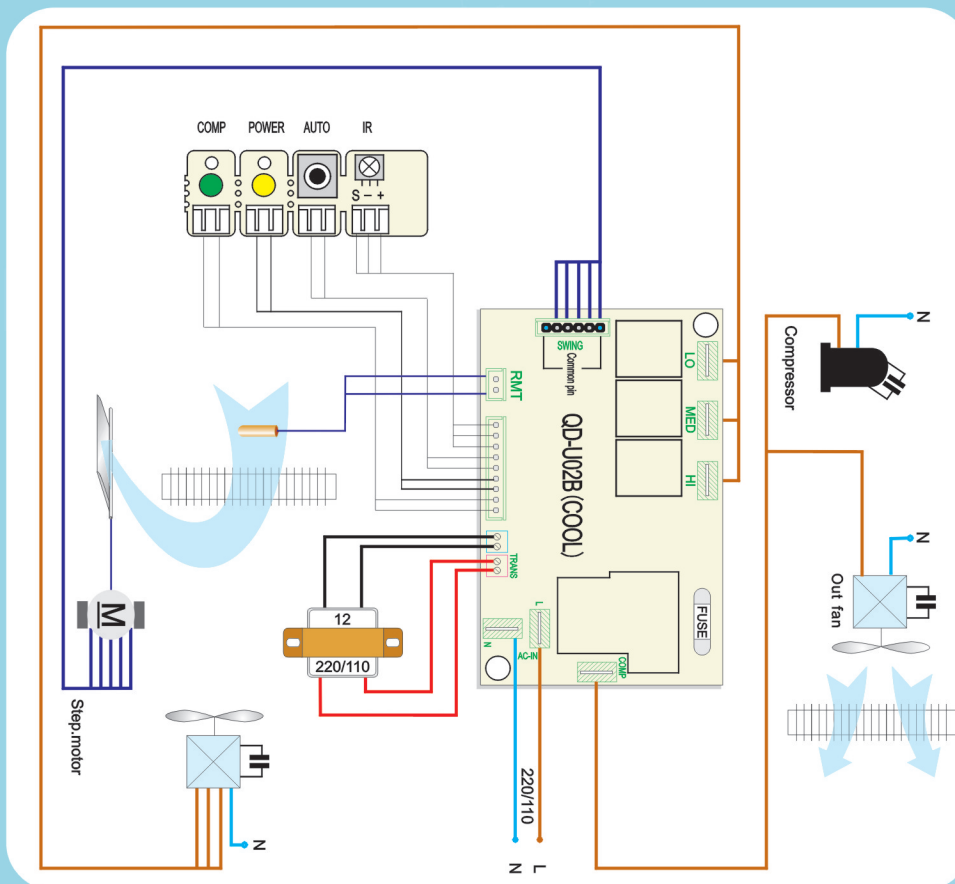
UNIVERSAL A/C CONTROL SYSTEM

NO. W-C-00012-V2

UNIVERSAL A/C CONTROL SYSTEM

QD-U02B(COOL)

- 1、 Avoid strong light before IR receiver
- 2、 The common pins of swing socket are 12V output. The common pin of step motor should be inserted into one of the common pins of swing socket.If the direction of step motor is wrong,insert the common pin of step motor to other common pin of swing socket.



QD-U02B(COOL)

UNIVERSAL A/C CONTROL SYSTEM



MADE IN CHINA



UNIVERSAL A/C CONTROL SYSTEM

UNIVERSAL A/C CONTROL SYSTEM

MODEL
QD-U02B(COOL)

- High Quality
- Full Function
- Economic Model

- ◆ 4 Working Mode.
- ◆ 3 Fan Speed.
- ◆ Accurate & Stable Temperature Control
- ◆ Accurate & Stable Auto Fan
- ◆ Timer Inline/Offline
- ◆ Sleep



Please install by certificated technician.
Please test the system before installation.
Please avoid strong light before IR receiver.

